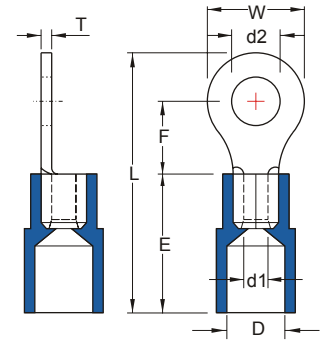


NYLON-INSULATED RING TERMINALS



MAXIMUM ELECTRIC CURRENT:

A.W.G.	16	14
AMP.	18	30

MAXIMUM ELECTRICAL RATING: 105°C 600 VOLTS MAX.

INSULATION MATERIAL: NYLON

INSULATION COLOR:

16-14 A.W.G.: BLUE ■

TERMINAL MATERIAL: COPPER

WIRE RANGE A.W.G. mm ²	ITEM NO.		STUD SIZE		DIMENSION <small>inch mm</small>						CRIMPING TOOL	Q'TY BOX	
	BRAZED SEAM	BUTTED SEAM		d2	W	F	L	E	D	d1			T
16-14 A.W.G.	RNYB2-2	RNY2-2	#2	.087 2.2	.260 6.6	.189 4.8	.740 18.8	.433 11.0	.177 4.5	.091 2.3	.031 0.8	IZUMI MODEL 34 WITH DIE INDEX COLOR:BLUE OR K.S. MODEL KST2000A HRI-126J WITH DIE INDEX COLOR:BLUE	1000
	RNYB2-2.5	RNY2-2.5	#2	.098 2.5									
	RNYBS2-3.2	RNYS2-3.2	#4	.126 3.2	.217 5.5	.220 5.6	.756 19.2						1000
	RNYB2-3.2	RNY2-3.2 *	#4	.126 3.2	.260 6.6	.189 4.8	.740 18.8						1000
	RNYBL2-3.2	RNYL2-3.2	#4	.126 3.2	.335 8.5	.307 7.8	.898 22.8						1000
	RNYBS2-3.7	RNYS2-3.7 *	#6	.146 3.7	.260 6.6	.189 4.8	.740 18.8						1000
	RNYBM2-3.7	RNYM2-3.7 *	#6	.146 3.7		.248 6.3	.803 20.4						1000
	RNYBL2-3.7	RNYL2-3.7 *	#6	.146 3.7	.335 8.5	.291 7.4	.898 22.8						1000
	RNYBS2-4	RNYS2-4 *	#8	.169 4.3	.260 6.6	.248 6.3	.803 20.4						1000
	RNYBL2-4	RNYL2-4 *	#8	.169 4.3	.335 8.5	.307 7.8	.898 22.8						1000
RNYBS2-5	RNYS2-5 *	#10	.209 5.3	1000									
1.5-2.5 mm ²	RNYB2-5	RNYL2-5 *	#10	.209 5.3	.374 9.5	.287 7.3	.898 22.8	1000					
	RNYB2-6 ■	RNY2-6 ■*	1/4	.252 6.4	.472 12.0	.433 11.0	1.094 27.8	1000					
	RNYB2-7	RNY2-7	1/4	.291 7.4									
	RNYB2-8 ■	RNY2-8 *	5/16	.331 8.4	.535 13.6	.547 13.9	1.240 31.5	1000					
	RNYB2-9	RNY2-9	5/16	.386 9.8									
	RNYB2-10	RNY2-10 *	3/8	.413 10.5	.756 19.2	.630 16.0	1.433 36.4	1000					
	RNYBL2-10	RNYL2-10	3/8	.413 10.5									
	RNYB2-12	RNY2-12	1/2	.512 13.0	.591 15.0	.827 21.0	1.783 45.3	1000					
	RNYB2-14	RNY2-14	9/16	.591 15.0									
	RNYB2-16	RNY2-16	5/8	.669 17.0	1.063 27.0	.827 21.0	1.783 45.3	1000					
RNYB2-20	RNY2-20	3/4	.827 21.0	1000									

ALL LISTED
 * : ADDITIONAL CERTIFIED
 ■ : 90D available

Products can be bend to 90-degrees angle.

X-ON Electronics

Largest Supplier of Electrical and Electronic Components

Click to view similar products for [Terminals](#) category:

Click to view products by [K.S Terminals](#) manufacturer:

Other Similar products are found below :

[00-054007-01074-6](#) [00-054007-70206-1](#) [00-054007-70210-8](#) [00-054007-70217-7](#) [00-054007-70228-3](#) [00-054007-70256-6](#) [00-054007-70316-7](#) [00-054007-49560-4](#) [00-054007-70209-2](#) [00-054007-70231-3](#) [00-054007-70241-2](#) [00-054007-70242-9](#) [00-054007-70246-7](#) [00-054007-70263-4](#) [00-054007-70288-7](#) [00-054007-70290-0](#) [00-054007-70300-6](#) [00-054007-70304-4](#) [01-2900-1-04412](#) [0190160084](#) [0190350008](#) [600TS-10](#) [605601-1](#) [60617-1-C](#) [61314-6-C](#) [626-0194](#) [63-S](#) [M55155/079C01](#) [M55155/099B03](#) [M55155/109H01](#) [M55155/12XH05](#) [M55155/29XJ08](#) [M55155/30-6S](#) [M55155/30-9S](#) [M55155/30XI09](#) [M6-14RSX](#) [M86700006](#) [D18-110B-C](#) [D18-110B-M](#) [701-1936](#) [701-1955](#) [701-2003](#) [701-2007](#) [701-2013](#) [701-2018](#) [701-2069](#) [701-2077-60](#) [701-2315](#) [701-2430](#) [701-2480](#)