



Diodes type D66 are of modern design with internal spring loaded contacts and pressure welded glass-to-metal seal. Designed for use in power electronic circuits and equipment under normal operating conditions.

KEY PARAMETERS

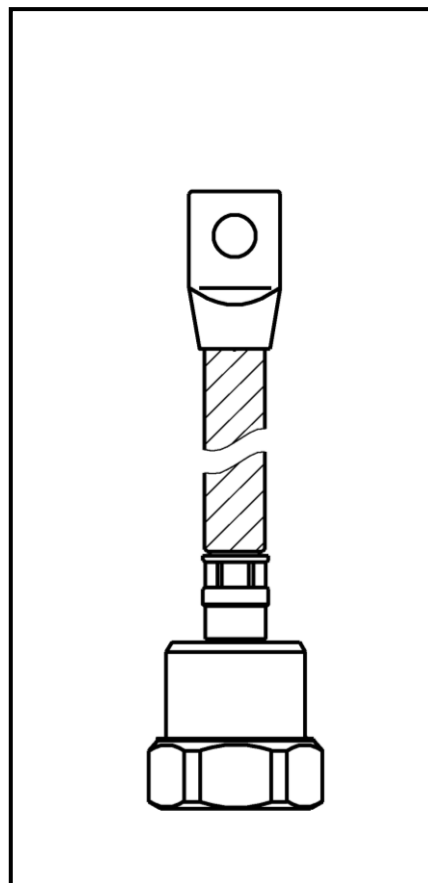
| | |
|-------------|--------------|
| U_{RRM} | up to 1600 V |
| $I_{F(AV)}$ | 250 A |
| I_{FSM} | 5500 A |

FEATURES

- all diffused design
- high current capabilities
- high surge current capabilities
- high rates voltages
- low thermal impedance
- tested according to IEC standards
- compact size and small weight

APPLICATION

- High Voltage Power Supplies
- Motor Control
- Battery Chargers
- Free Wheeling Diode
- Resistance Welding



See package details for further information

Designed for use in high power industrial and commercial power electronic circuits and equipment where high currents are encountered and high reliability is essential.

D66-250

Diode

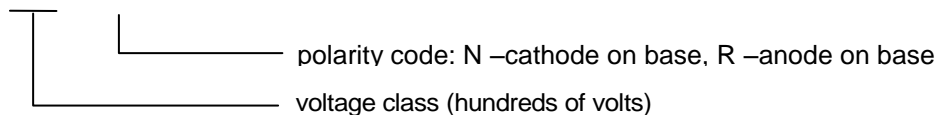


KKD66250, October 2006 version

ORDERING INFORMATION

When ordering please refer to device code builder presented below.
Please use the complete part number when ordering, quote or in any future correspondence relating to your order.

D66-250- - **0**



ELECTRICAL PARAMETERS

Voltage ratings

| Voltage class | U_{RRM} | U_{RSM} | I_{RRM} |
|---------------|-----------|-----------|-----------|
| | V | V | mA |
| 04 | 400 | 500 | 50 |
| 06 | 600 | 700 | |
| 08 | 800 | 900 | |
| 10 | 1000 | 1100 | |
| 12 | 1200 | 1300 | |
| 14 | 1400 | 1500 | |
| 16 | 1600 | 1700 | |

Zakłady Elektronowe LAMINA S.A.
Puławska 34
PL-05-500 Piaseczno
POLAND

Tel.: +48-22-7572731
Tel.: +48-22-3989409
Fax.: +48-22-3989407
e-mail: sekretariat@lamina.com.pl
www.lamina.com.pl

D66-250

Diode

KKD66250, October 2006 version

Electrical properties

| Parameter | | Unit | Test conditions | Value | |
|---|--------------|-----------|--|----------------------|-----|
| Average forward current @ case temperature | $I_{F(AV)}$ | A | | 250 | |
| | T_c | °C | | $U_{RRM} \leq 1200V$ | 140 |
| | | | | $U_{RRM} > 1200V$ | 125 |
| RMS forward current | $I_{F(RMS)}$ | A | | 395 | |
| Surge current | I_{FSM} | A | $T_j = T_{jmax}, U_R = 0,8U_{RRM}, t_p = 10ms$ | 5500 | |
| I^2t – value | I^2t | kA^2s | | 150 | |
| Forward voltage drop max. | U_{FM} | V | $T_j = 25^\circ C, I_{FM} = 800A$ | 1,60 | |
| Threshold voltage | $U_{F(T0)}$ | V | | 0,70 | |
| Slope resistance | r_F | $m\Omega$ | | 1,22 | |

Thermal properties

| Parameter | | Unit | Test conditions | Value | |
|--------------------------------------|---------------------------|------|-----------------|----------------------|------------|
| Thermal resistance, junction to case | R_{thJC} | °C/W | DC | 0,12 | |
| Thermal resistance, case to heatsink | R_{thCS} | °C/W | | 0,10 | |
| Operating junction temperature | $T_{jmin} \dots T_{jmax}$ | °C | | $U_{RRM} \leq 1200V$ | -40...+190 |
| | | | | $U_{RRM} > 1200V$ | -40...+175 |
| Storage temperature | T_{stg} | °C | | -40...+190 | |

Mechanical properties

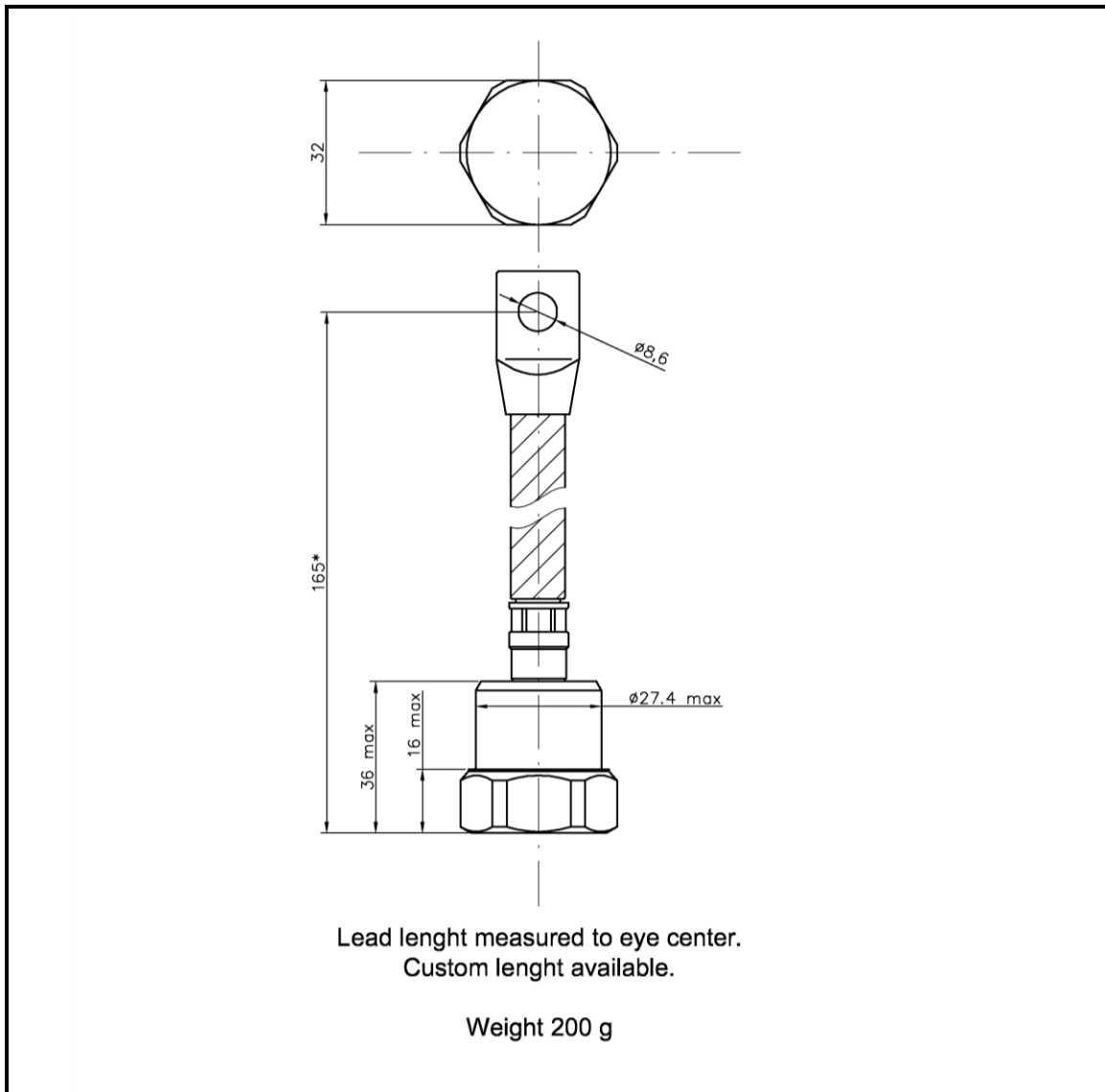
| Parameter | | Unit | Value |
|----------------|---|------|-------|
| Mounting force | F | kN | 3,5 |
| Weight | m | g | 200 |

D66-250

Diode

KKD66250, October 2006 version

Package details



For further package information, please contact Sales & Marketing Department. All dimensions in mm, unless stated otherwise.
Do not scale.

Zakłady Elektroniczne LAMINA S.A.
Puławska 34
PL-05-500 Piaseczno
POLAND

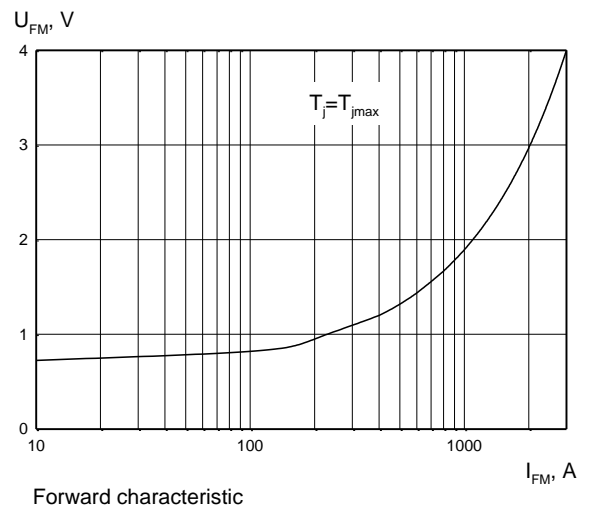
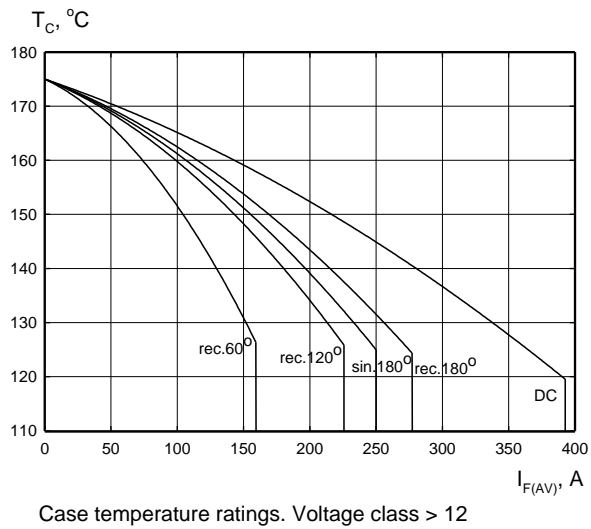
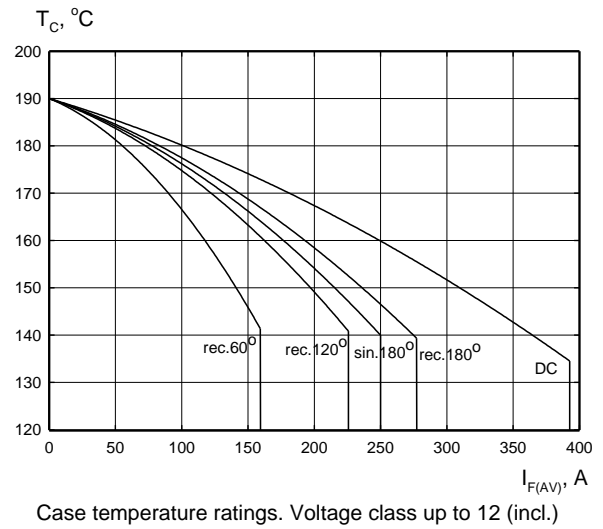
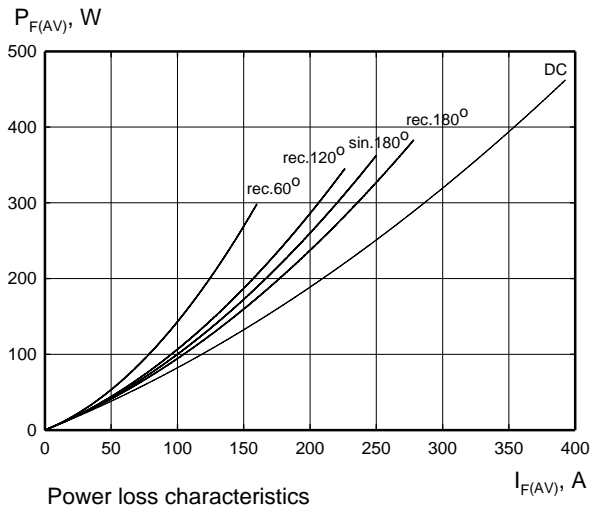
Tel.: +48-22-7572731
Tel.: +48-22-3989409
Fax.: +48-22-3989407
e-mail: sekretariat@lamina.com.pl
www.lamina.com.pl

D66-250

Diode

KKD66250, October 2006 version

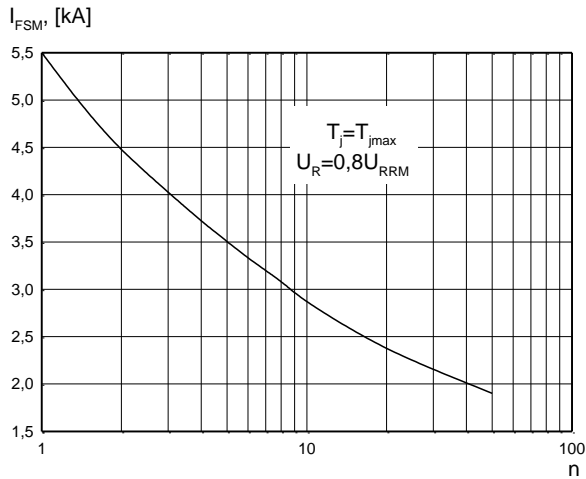
HARACTERISTICS



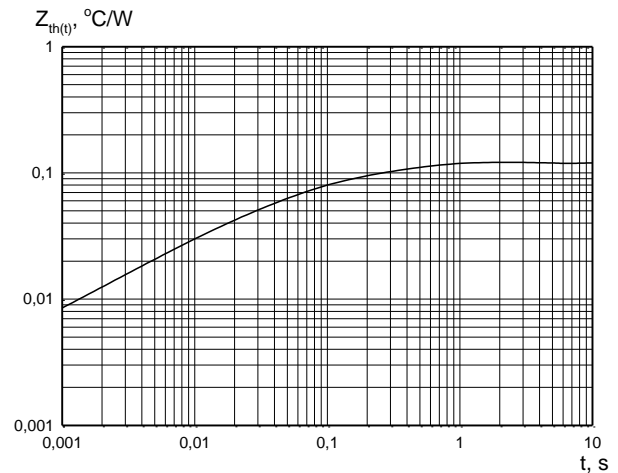
D66-250

Diode

KKD66250, October 2006 version



Non-repetitive surge current rating



Transient thermal impedance

HEATSINKS

LAMINA S.I. has its own proprietary range of extruded aluminium heatsinks designed to optimise the performance of our semiconductors with natural and forced air flow.

POWER ASSEMBLY CAPABILITY

LAMINA S.I. provides a support for those customers requiring more than a basic semiconductor and offers precisely assembled Power Blocks according to factory or customer standards.

Zakłady Elektronowe LAMINA S.A.
Puławska 34
PL-05-500 Piaseczno
POLAND

Tel.: +48-22-7572731
Tel.: +48-22-3989409
Fax.: +48-22-3989407
e-mail: sekretariat@lamina.com.pl
www.lamina.com.pl

X-ON Electronics

Largest Supplier of Electrical and Electronic Components

Click to view similar products for [Rectifiers](#) category:

Click to view products by [KUBARA LAMINA](#) manufacturer:

Other Similar products are found below :

[70HFR40](#) [RL252-TP](#) [1N5397](#) [NTE5841](#) [SCF5000](#) [1N4002G](#) [1N4005-TR](#) [JANS1N6640US](#) [481235F](#) [RRE02VS6SGTR](#) [067907F](#) [MS306](#)
[70HF40](#) [T110HF60](#) [T85HFL60S02](#) [US2JFL-TP](#) [A1N5404G-G](#) [CRS04\(T5L,TEMQ\)](#) [ACGRA4007-HF](#) [ACGRB207-HF](#) [CLH03\(TE16L,Q\)](#)
[ACGRC307-HF](#) [ACEFC304-HF](#) [NTE6356](#) [NTE6359](#) [85HFR60](#) [40HFR60](#) [1N1186RA](#) [70HF120](#) [85HFR80](#) [D126A45C](#) [SCF7500](#)
[D251N08B](#) [SCHJ22.5K](#) [SM100](#) [SCPA2](#) [SDHD5K](#) [VS-12FL100S10](#) [ACGRA4001-HF](#) [D1821SH45T PR](#) [D1251S45T](#) [NTE6358](#) [NTE6162](#)
[NTE5850](#) [SKN 5/08](#) [NTE5819](#) [NTE5837](#) [NTE5892](#) [NTE5894](#) [NTE5900](#)