



Diode type D95 are of modern design with pressure contacts, high alumina ceramic insulator and cold-welding encapsulation. Designed for use in power rectifying circuits and equipment under normal operating conditions.

**KEY PARAMETERS**

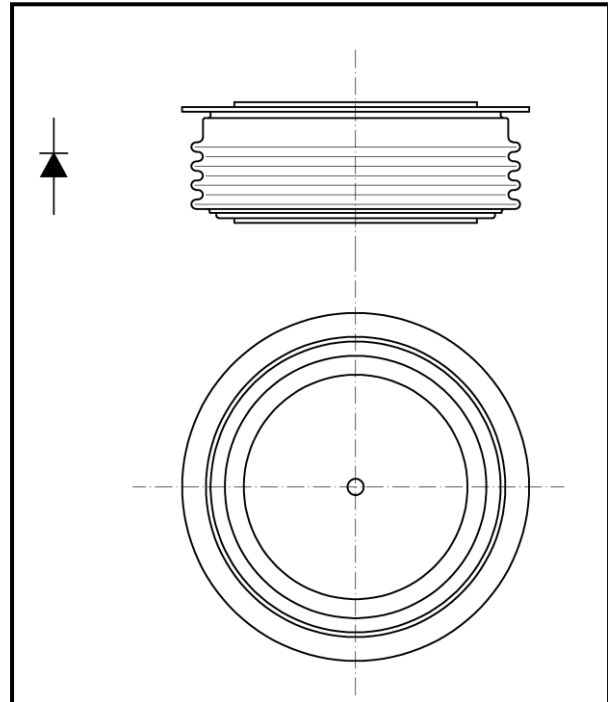
$U_{RRM}$	<b>up to 2200 V</b>
$I_{F(AV)}$	<b>3000 A</b>
$I_{FSM}$	<b>31000 A</b>

**FEATURES**

- all diffused design
- high current capabilities
- high surge current capabilities
- high rated voltages
- low thermal impedance
- tested according to IEC standards
- compact size and small weight

**APPLICATION**

- High Voltage Power Supplies
- Motor Control
- Battery Chargers
- Free Wheeling Diode
- Resistance Welding
- Medium traction applications



**Outline type code: JEDEC DO-200AC**  
See Package Details for further information

Designed for use in high power industrial and commercial electronic circuits and equipment where high currents are encountered and high reliability is essential. Low forward voltages let minimize energy loss.

**ORDERING INFORMATION**

When ordering please refer to device code builder presented below.  
Please use the complete part number when ordering, quote or in any future correspondence relating to your order.

**D95T-3000-□□**

\_\_\_\_\_ voltage class (hundreds of volts)

# D95T-3000

## Diode



Zakłady Elektronowe  
**LAMINA S.A.**

KKD95T3000, November 2004 version

### ELECTRICAL PARAMETERS

#### Voltage ratings

Voltage class	$U_{RRM}$	$U_{RSM}$	$I_{RRM}$
	V	V	mA
16	1600	1700	100
18	1800	1900	
20	2000	2100	
22	2200	2300	

#### Electrical properties

Parameter		Unit	Test conditions	Value
Average forward current @ case temperature	$I_{F(AV)}$	A		3000
	$T_c$	°C		60
RMS forward current	$I_{F(RMS)}$	A		4700
Surge current	$I_{FSM}$	A	$T_j=175^\circ\text{C}$ , $U_R=0,8U_{RRM}$ , $t_p=10\text{ms}$	31000
$I^2t$ – value	$I^2t$	$\text{kA}^2\text{s}$		4800
Forward voltage drop max.	$U_{FM}$	V	$T_j=25^\circ\text{C}$ , $I_{FM}=1500\text{A}$	1,02
Threshold voltage	$U_{F(T0)}$	V		0,612
Slope resistance	$r_F$	$\text{m}\Omega$		0,164
Typical reverse recovery charge	$Q_r$	$\mu\text{C}$	$T_j=25^\circ\text{C}$ , $I_{FM}=1500\text{A}$ , $di_R/dt=25\text{A}/\mu\text{s}$	1800

#### Thermal properties

Parameter		Unit	Test conditions	Value
Thermal resistance, junction to case	$R_{thJC}$	°C/W	two sided, DC	0,020
Thermal resistance, case to heatsink	$R_{thCS}$	°C/W	two sided	0,010
Operating junction temperature	$T_{jmin} \dots T_{jmax}$	°C		-40...+180
Storage temperature	$T_{stg}$	°C		-40...+180

#### Mechanical properties

Parameter		Unit	Value
Clamping force	$F_M$	kN	22,5 ... 25,0
Weight	m	g	480

**Zakłady Elektronowe LAMINA S.A.**  
Puławska 34  
PL-05-500 Piaseczno  
POLAND

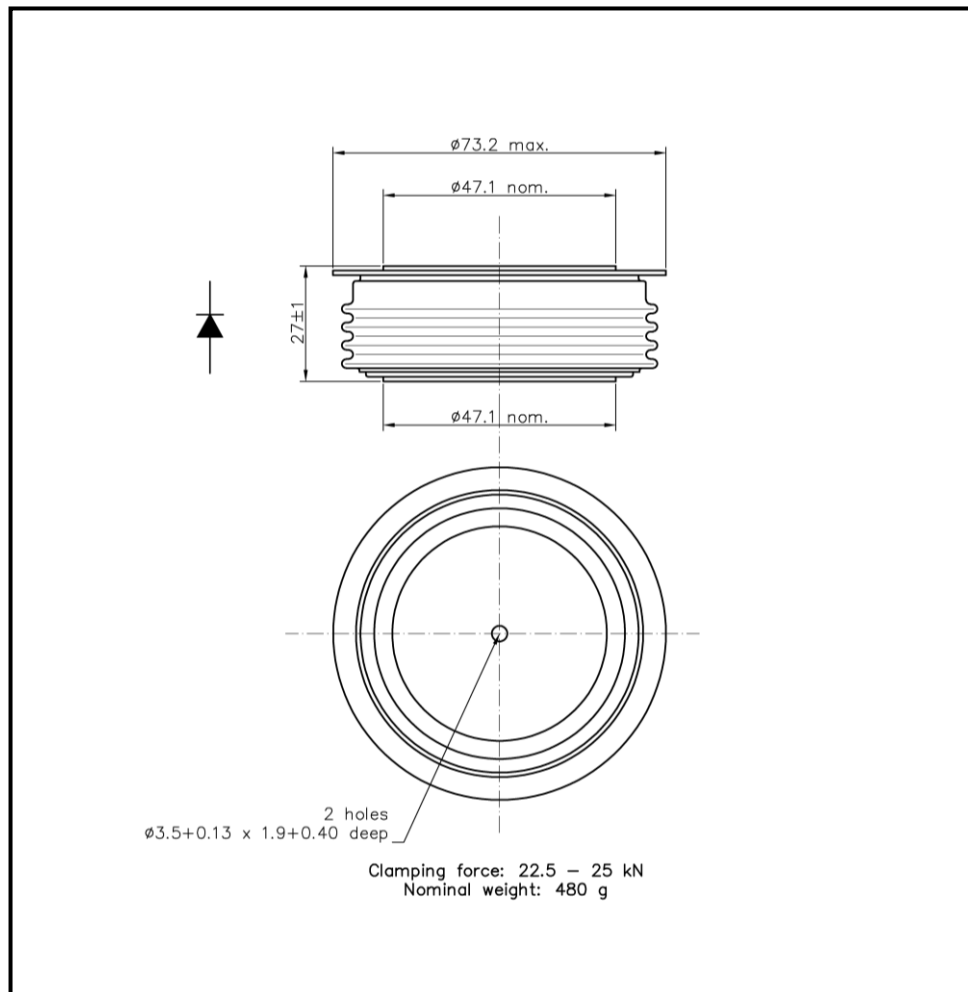
Tel.: +48-22-7572731  
Tel.: +48-22-3989409  
Fax.: +48-22-3989407  
e-mail: sekretariat@lamina.com.pl  
www.lamina.com.pl

# D95T-3000

## Diode

KKD95T3000, November 2004 version

### Package details



For further package information, please contact Sales & Marketing Department. All dimensions in mm, unless stated otherwise.  
Do not scale.

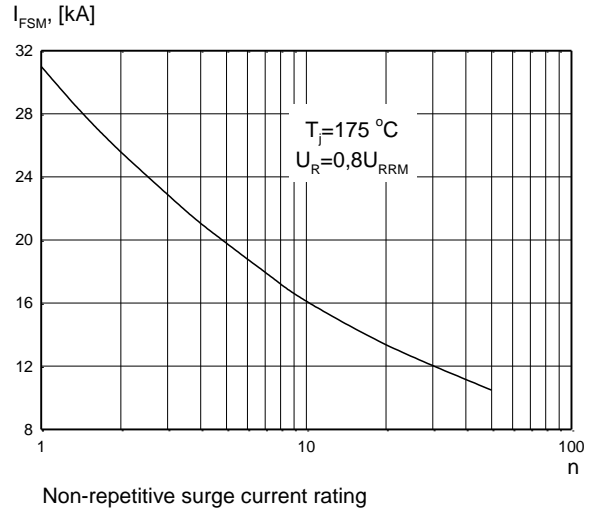
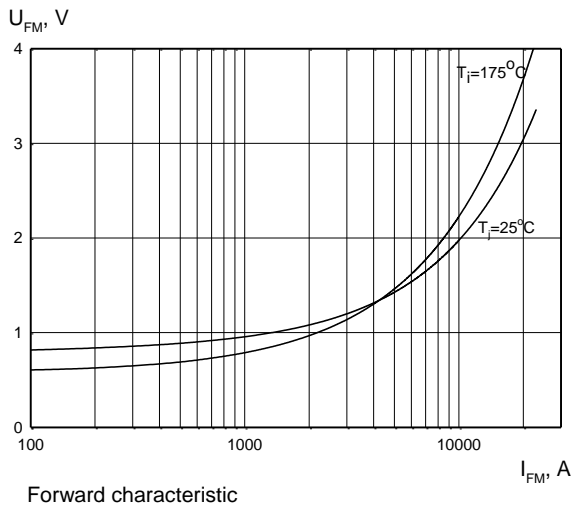
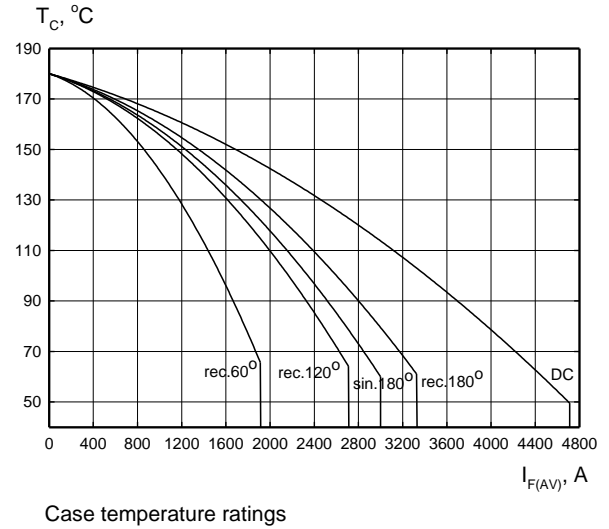
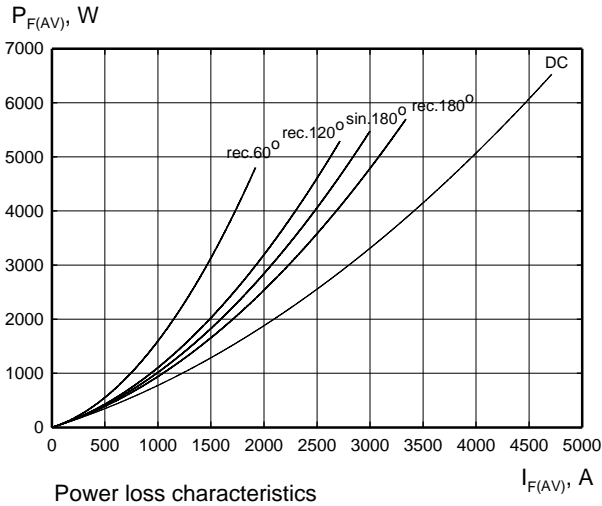
# D95T-3000

## Diode



KKD95T3000, November 2004 version

### CHARACTERISTICS



Zakłady Elektronowe LAMINA S.A.  
 Puławska 34  
 PL-05-500 Piaseczno  
 POLAND

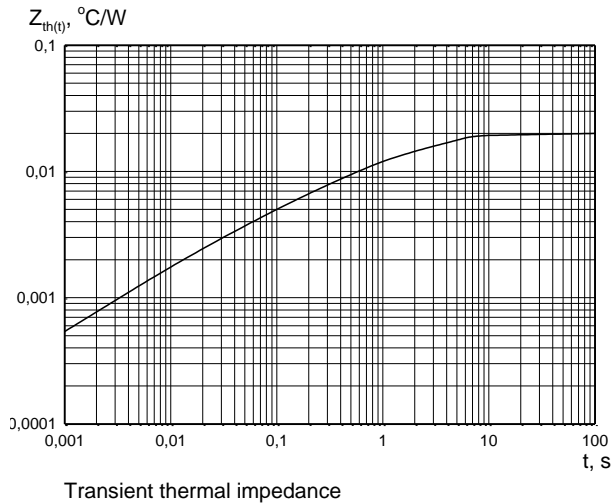
Tel.: +48-22-7572731  
 Tel.: +48-22-3989409  
 Fax: +48-22-3989407  
 e-mail: sekretariat@lamina.com.pl  
 www.lamina.com.pl

# D95T-3000

## Diode

KKD95T3000, November 2004 version

---



## HEATSINKS

LAMINA S.I. has its own proprietary range of extruded aluminium heatsinks designed to optimise the performance of our semiconductors with natural and forced air flow. High efficiency water cooled copper heatsinks are also available.

## DEVICE CLAMPS

Disc devices require the correct clamping force to ensure their best operation. LAMINA S.I. offers a wide selection of clamps to suit all of our manufactured devices.

## POWER ASSEMBLY CAPABILITY

LAMINA S.I. provides a support for those customers requiring more than a basic semiconductor and offers precisely assembled Power Blocks according to factory or customer standards.

## X-ON Electronics

Largest Supplier of Electrical and Electronic Components

*Click to view similar products for [Rectifiers](#) category:*

*Click to view products by [KUBARA LAMINA](#) manufacturer:*

Other Similar products are found below :

[70HFR40](#) [RL252-TP](#) [1N5397](#) [NTE5841](#) [NTE6038](#) [SCF5000](#) [1N4002G](#) [1N4005-TR](#) [JANS1N6640US](#) [481235F](#) [RRE02VS6SGTR](#) [067907F](#)  
[MS306](#) [70HF40](#) [US2JFL-TP](#) [A1N5404G-G](#) [CRS04\(T5L,TEMQ\)](#) [ACGRA4007-HF](#) [ACGRB207-HF](#) [CLH03\(TE16L,Q\)](#) [ACGRC307-HF](#)  
[ACEFC304-HF](#) [NTE6356](#) [NTE6359](#) [NTE6002](#) [NTE6023](#) [NTE6039](#) [NTE6077](#) [85HFR60](#) [40HFR60](#) [1N1186RA](#) [70HF120](#) [85HFR80](#)  
[D126A45C](#) [SCF7500](#) [D251N08B](#) [SCHJ22.5K](#) [SM100](#) [SCPA2](#) [SDHD5K](#) [VS-12FL100S10](#) [ACGRA4001-HF](#) [D1821SH45T PR](#) [D1251S45T](#)  
[NTE5990](#) [NTE6358](#) [NTE6162](#) [NTE5850](#) [SKN20/08](#) [SKN300/16](#)