

Diode type D95 are of modern design with pressure contacts, high alumina ceramic insulator and cold-welding encapsulation. Designed for use in power rectifying circuits and equipment under normal operating conditions.

KEY PARAMETERS

| | |
|-------------|---------------------|
| U_{RRM} | up to 2200 V |
| $I_{F(AV)}$ | 3000 A |
| I_{FSM} | 31000 A |

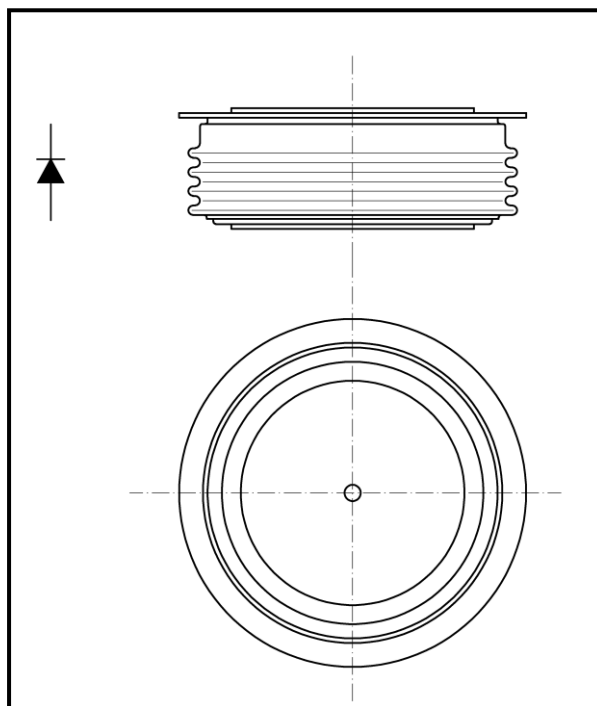
FEATURES

- all diffused design
- high current capabilities
- high surge current capabilities
- high rated voltages
- low thermal impedance
- tested according to IEC standards
- compact size and small weight

APPLICATION

- High Voltage Power Supplies
- Motor Control
- Battery Chargers
- Free Wheeling Diode
- Resistance Welding
- Medium traction applications

Designed for use in high power industrial and commercial electronic circuits and equipment where high currents are encountered and high reliability is essential. Low forward voltages let minimize energy loss.



Outline type code: JEDEC DO-200AC
See Package Details for further information

ORDERING INFORMATION

When ordering please refer to device code builder presented below.
Please use the complete part number when ordering, quote or in any future correspondence relating to your order.

D95T-3000-□□

voltage class (hundreds of volts)

D95T-3000

Diode



Zakłady Elektronowe
LAMINA S.A.

KKD95T3000, November 2004 version

ELECTRICAL PARAMETERS

Voltage ratings

| Voltage class | U_{RRM} | U_{RSM} | I_{RRM} |
|---------------|-----------|-----------|-----------|
| | V | V | mA |
| 16 | 1600 | 1700 | 100 |
| 18 | 1800 | 1900 | |
| 20 | 2000 | 2100 | |
| 22 | 2200 | 2300 | |

Electrical properties

| Parameter | | Unit | Test conditions | Value |
|---|--------------|-----------------------|---|-------|
| Average forward current @ case temperature | $I_{F(AV)}$ | A | | 3000 |
| | T_c | °C | | 60 |
| RMS forward current | $I_{F(RMS)}$ | A | | 4700 |
| Surge current | I_{FSM} | A | $T_j=175^\circ\text{C}$, $U_R=0,8U_{RRM}$, $t_p=10\text{ms}$ | 31000 |
| I^2t – value | I^2t | kA^2s | | 4800 |
| Forward voltage drop max. | U_{FM} | V | $T_j=25^\circ\text{C}$, $I_{FM}=1500\text{A}$ | 1,02 |
| Threshold voltage | $U_{F(T0)}$ | V | | 0,612 |
| Slope resistance | r_F | $\text{m}\Omega$ | | 0,164 |
| Typical reverse recovery charge | Q_r | μC | $T_j=25^\circ\text{C}$, $I_{FM}=1500\text{A}$, $di_R/dt=25\text{A}/\mu\text{s}$ | 1800 |

Thermal properties

| Parameter | | Unit | Test conditions | Value |
|---|---------------------------|------|-----------------|------------|
| Thermal resistance, junction to case | R_{thJC} | °C/W | two sided, DC | 0,020 |
| Thermal resistance, case to heatsink | R_{thCS} | °C/W | two sided | 0,010 |
| Operating junction temperature | $T_{jmin} \dots T_{jmax}$ | °C | | -40...+180 |
| Storage temperature | T_{stg} | °C | | -40...+180 |

Mechanical properties

| Parameter | | Unit | Value |
|----------------|-------|------|---------------|
| Clamping force | F_M | kN | 22,5 ... 25,0 |
| Weight | m | g | 480 |

Zakłady Elektronowe LAMINA S.A.
Puławska 34
PL-05-500 Piaseczno
POLAND

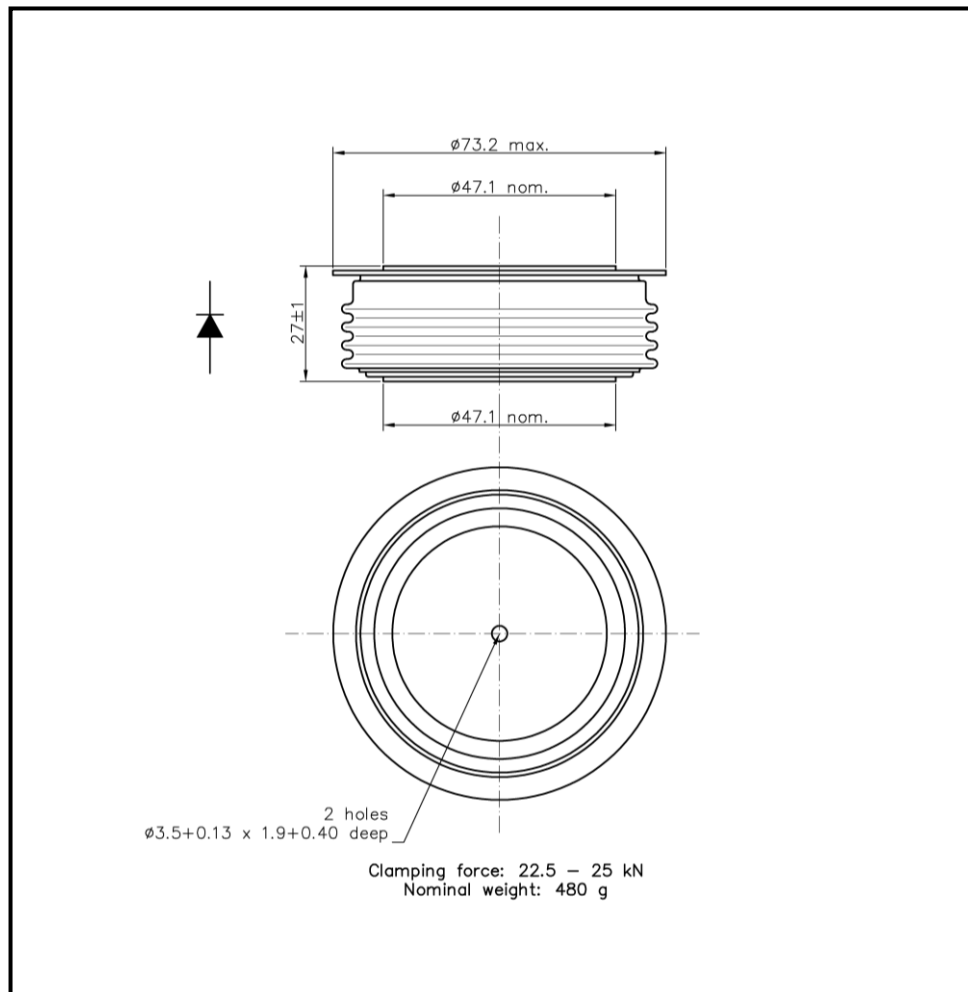
Tel.: +48-22-7572731
Tel.: +48-22-3989409
Fax.: +48-22-3989407
e-mail: sekretariat@lamina.com.pl
www.lamina.com.pl

D95T-3000

Diode

KKD95T3000, November 2004 version

Package details



For further package information, please contact Sales & Marketing Department. All dimensions in mm, unless stated otherwise.
Do not scale.

D95T-3000

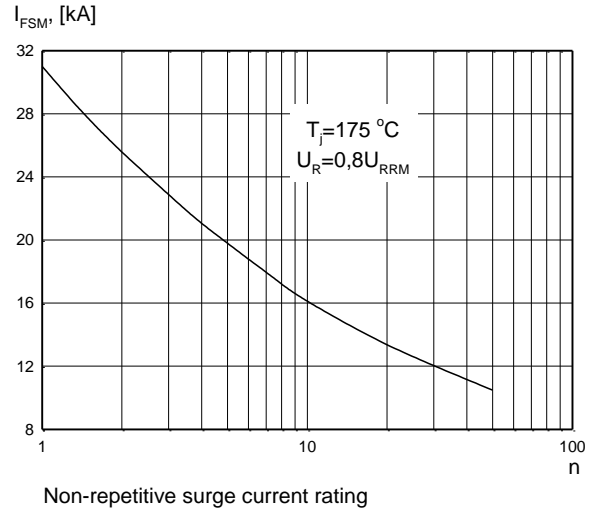
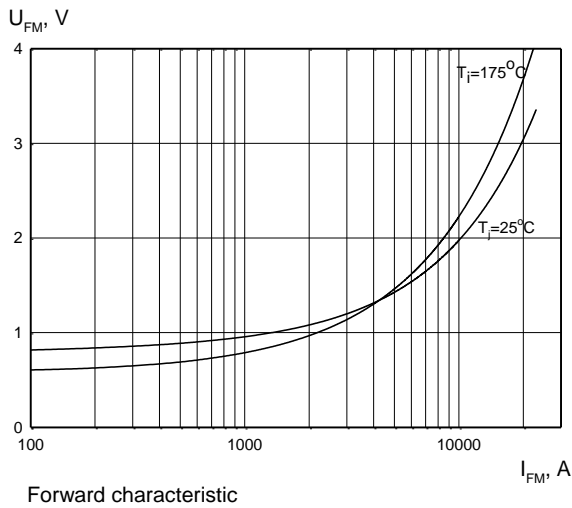
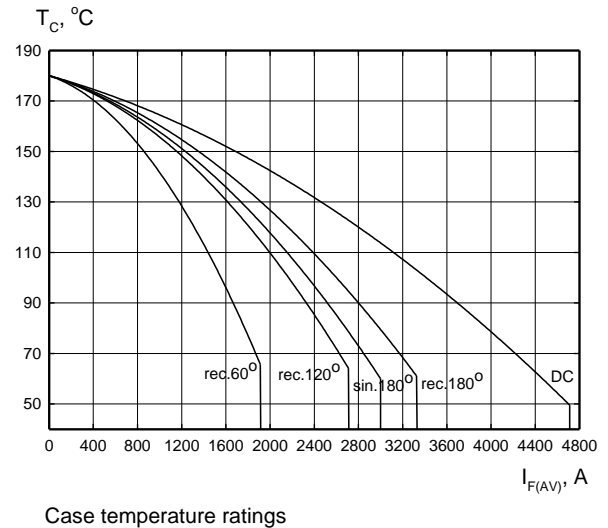
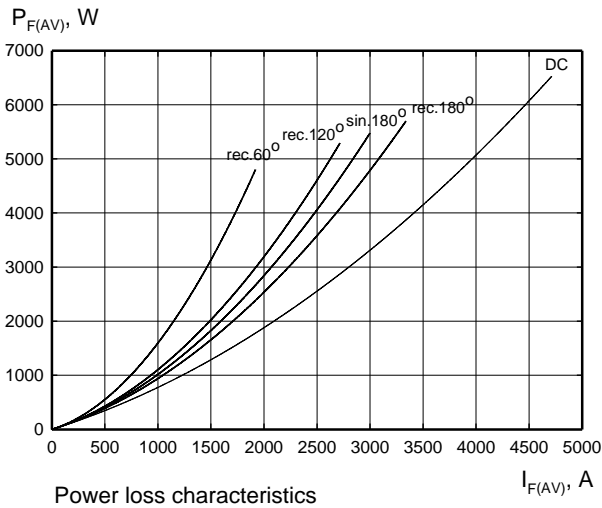
Diode



Zakłady Elektronowe
LAMINA S.A.

KKD95T3000, November 2004 version

CHARACTERISTICS



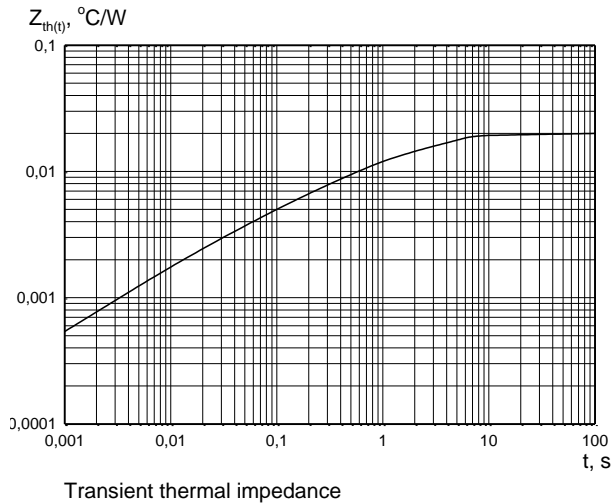
Zakłady Elektronowe LAMINA S.A.
Puławska 34
PL-05-500 Piaseczno
POLAND

Tel.: +48-22-7572731
Tel.: +48-22-3989409
Fax: +48-22-3989407
e-mail: sekretariat@lamina.com.pl
www.lamina.com.pl

D95T-3000

Diode

KKD95T3000, November 2004 version



HEATSINKS

LAMINA S.I. has its own proprietary range of extruded aluminium heatsinks designed to optimise the performance of our semiconductors with natural and forced air flow. High efficiency water cooled copper heatsinks are also available.

DEVICE CLAMPS

Disc devices require the correct clamping force to ensure their best operation. LAMINA S.I. offers a wide selection of clamps to suit all of our manufactured devices.

POWER ASSEMBLY CAPABILITY

LAMINA S.I. provides a support for those customers requiring more than a basic semiconductor and offers precisely assembled Power Blocks according to factory or customer standards.

X-ON Electronics

Largest Supplier of Electrical and Electronic Components

Click to view similar products for [Rectifiers](#) category:

Click to view products by [KUBARA LAMINA](#) manufacturer:

Other Similar products are found below :

[70HFR40](#) [RL252-TP](#) [1N5397](#) [NTE5841](#) [NTE6038](#) [SCF5000](#) [1N4002G](#) [1N4005-TR](#) [JANS1N6640US](#) [481235F](#) [RRE02VS6SGTR](#) [067907F](#)
[MS306](#) [70HF40](#) [US2JFL-TP](#) [A1N5404G-G](#) [CRS04\(T5L,TEMQ\)](#) [ACGRA4007-HF](#) [ACGRB207-HF](#) [CLH03\(TE16L,Q\)](#) [ACGRC307-HF](#)
[ACEFC304-HF](#) [NTE6356](#) [NTE6359](#) [NTE6002](#) [NTE6023](#) [NTE6039](#) [NTE6077](#) [85HFR60](#) [40HFR60](#) [1N1186RA](#) [70HF120](#) [85HFR80](#)
[D126A45C](#) [SCF7500](#) [D251N08B](#) [SCHJ22.5K](#) [SM100](#) [SCPA2](#) [SDHD5K](#) [VS-12FL100S10](#) [ACGRA4001-HF](#) [D1821SH45T PR](#) [D1251S45T](#)
[NTE5990](#) [NTE6358](#) [NTE6162](#) [NTE5850](#) [SKN20/08](#) [SKN300/16](#)