

# Energy meters

Dual function counters

Energy and time (AC)

HW 66 / HW 66 M



The HW 66 and HW 66 M combination meters consist of an hour meter and an energy meter.

These panel-mounted devices require only a limited installation depth and can be used in a wide variety of application areas. The count pulses can be read out via the SO output.

**Additional model:**  
MID version for applications requiring official calibration.

MID approved



<b>AC</b> 115/230V Power supply	 -20° + 55° Temperature range	 DIN 48 x 48 DIN front bezel	 IP65 High protection level	 12345 12345 No reset	 00000 00000 2 x 6 Display 2 x 6 digit	 kWh Energy meter	 Timer
---------------------------------------	-------------------------------------	------------------------------------	-----------------------------------	--------------------------------	---	-------------------------	-----------

## Product features

- Metering of hours run and energy consumption in one compact device – panel mounting.
- Wide temperature range.
- Remote readout via SO outputs on request.
- Shows both values in parallel.
- Easy-to-read display – can also be read if no voltage present.

## Benefits

- Tamper-proof fixed installation with high degree of protection.
- High measuring accuracy.
- Can be officially calibrated (MID).

## Applications

Dehumidifiers, hire equipment and machinery, air-conditioning, production equipment, current generators.

## Order specifications

Type	Voltage	Order no.	Delivery includes	MID version
HW 66	230 V AC	3.563.201.075 <sup>1)</sup>	• Counter	
HW 66	115 V AC	3.563.201.074 <sup>1)</sup>	• Gasket	
MID version: HW 66 M	230 V AC	3.56M.201.075 <sup>1)</sup>	• Mounting clip	



Accessories	Dimensions in mm [inch]	Order no.
<b>Adapter front bezel, 55 x 55 [2.17 x 2.17]</b>	for cut-out 50 x 50 [1.97 x 1.97] to ø 50.5 [1.99], with clip mounting for counters 48 x 48 [1.89 x 1.89]	black <b>T008171</b>
<b>Adapter front bezel, 60 x 75 [2.36 x 2.95]</b>	for cut-out 50 x 50 [1.97 x 1.97] to cut-out 45 x 45 [1.77 x 1.77] with screw mounting for counters 48 x 48 [1.89 x 1.89]	black <b>T008860</b>
<b>Adapter front bezel, 72 x 72 [2.83 x 2.83]</b>	for cut-out 68 x 68 [2.68 x 2.68] to cut-out 45 x 45 [1.77 x 1.77] Mating clip T009420 must be ordered separately	black <b>T008177</b>
<b>Adapter front bezel, ø 72 [2.83]</b>	for cut-out ø 60 [2.36] to cut-out 45 x 45 [1.77 x 1.77] with clip mounting for counters 48 x 48 [1.89 x 1.89]	black <b>N510226</b>
<b>Adapter front bezel, 55 x 55 [2.17 x 2.17]</b>	for cut-out 50 x 50 [1.97 x 1.97] to cut-out 45 x 45 [1.77 x 1.77] with clip mounting for counters 48 x 48 [1.89 x 1.89] Gasket 58 x 58 [2.28 x 2.28], for cut-out 50.2 x 50.2 [1.98 x 1.98]	black <b>T008853</b> <b>N511004</b>
<b>Mounting frame</b> with cut-out 50 x 50 [2.36 x 2.36] via separate adapter also for 45 x 45 [1.77 x 1.77]	for snap-on mounting on 35 [1.38] top-hat DIN rail, for counters 48 x 48 [1.89 x 1.89], 53 x 53 [2.09 x 2.09] and 55 x 55 [2.17 x 2.17]	chromated <b>G300003</b>

Suitable gaskets as well as further accessories can be found in the accessories section or in the accessories area of our website at: [www.kuebler.com/accessories](http://www.kuebler.com/accessories).

1) Standard stock model

# Energy meters

**Dual function counters**      **Energy and time (AC)**      **HW 66 / HW 66 M**

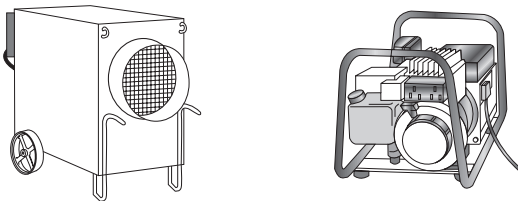
**Technical data**

General technical data	
<b>Power supply</b>	115/230 V AC, -20 % / +15 % 50 or 60 Hz
<b>Digits</b>	2 x 6 digit (single units digit red)
<b>Height of figures (optical)</b>	4 x 1.7 mm [0.16 x 0.067"]
<b>Colour of figures</b>	white and red on black
<b>Operating temperature</b>	-20°C ... +55°C [-4°F ... +131°F] (non-condensing)
<b>Storage temperature</b>	-25°C ... +65°C [-13°F ... +149°F]
<b>Housing</b>	DIN panel-mount 48 x 48 mm [1.89 x 1.89"]
<b>Depth</b>	55 mm [2.17"]
<b>EMC standards</b>	EN 55011 classe B, EN 61000-6-2, EN 61000-6-3, EN 61326-3-2
<b>Measuring instruments directive (MID)</b>	EN 50470-1, EN 50470-3
<b>Protection</b>	IP65, EN 60529 (front side)
<b>Connections</b>	screw terminal, touch-safe
<b>Max. core cross-section</b>	inputs/outputs 2.5 mm <sup>2</sup> [AWG 13] SO output 2.5 mm <sup>2</sup> [AWG 13]
<b>LED function</b>	LED on when power supply is connected LED blinks when energy is being measured

Energy meter	
<b>Display</b>	99999.9 kWh
<b>Accuracy</b>	class B, acc. to MID (for 50 Hz version)
<b>Current</b>	I <sub>B</sub> = 5 A, I <sub>max</sub> = 16 A
<b>Current limits</b>	> 20 mA up to 16 A
<b>Start current</b>	> 20 mA
<b>SO output</b>	1000 pulses/kWh, 5 ... 30 V DC, I <sub>max</sub> = 20 mA
<b>Pulse duration</b>	50 ms

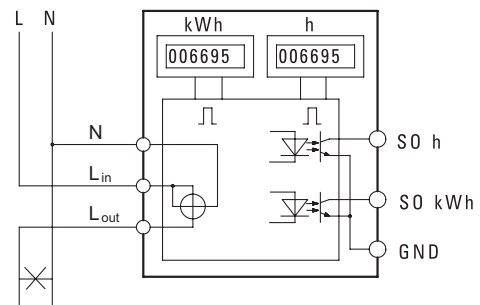
Hour meter	
<b>Display</b>	99999.9 h (0.1 h = 6 min)
<b>Accuracy</b>	± 2 %
<b>SO output</b>	10 imp/h, 5 ... 30 V DC, I <sub>max</sub> = 20 mA, 50 ms
<b>Pulse duration</b>	50 ms
<b>Start</b>	with voltage applied to L <sub>in</sub>

## Applications



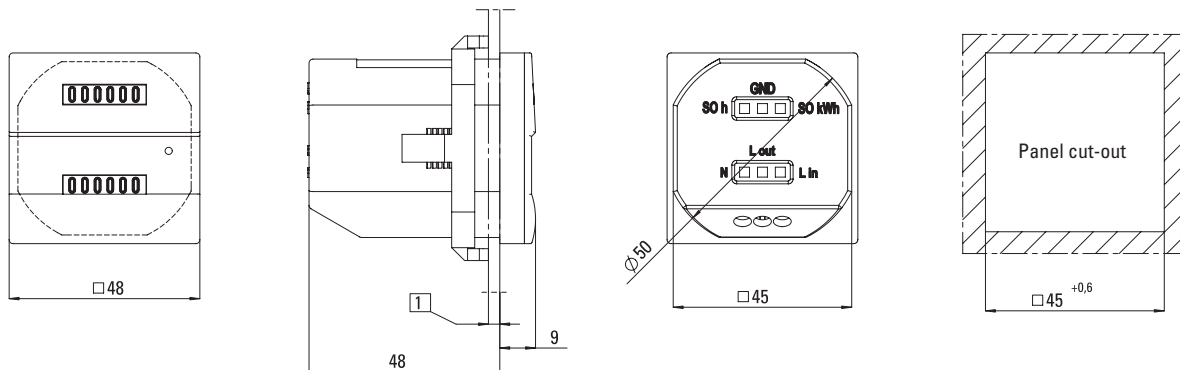
Retro- or standard fitting in dehumidifiers, current generators, air-conditioning, production equipment etc. for the accurate, traceable billing of operating and energy costs – especially also for hire equipment.

## Terminal assignment



## Dimensions

Dimensions in mm [inch]



1 max. 6.5 [0.26]

## X-ON Electronics

Largest Supplier of Electrical and Electronic Components

*Click to view similar products for [Power Management IC Development Tools](#) category:*

*Click to view products by [Kubler](#) manufacturer:*

Other Similar products are found below :

[EVAL6482H-DISC](#) [EVAL-AD5522EBUZ](#) [EVAL-ADM1060EBZ](#) [EVAL-ADM1073MEBZ](#) [EVAL-ADM1166TQEBZ](#) [EVAL-ADM1168LQEBZ](#) [EVAL-ADM1171EBZ](#) [EVAL-ADM1276EBZ](#) [EVB-EN5319QI](#) [EVB-EN5365QI](#) [EVB-EN6347QI](#) [EVB-EP5348UI](#) [MIC23158YML EV](#) [MIC23451-AAAYFL EV](#) [MIC5281YMME EV](#) [124352-HMC860LP3E](#) [ADM00513](#) [ADM8611-EVALZ](#) [ADM8612-EVALZ](#) [ADM8613-EVALZ](#) [ADM8615-EVALZ](#) [ADP1046ADC1-EVALZ](#) [ADP1055-EVALZ](#) [ADP122-3.3-EVALZ](#) [ADP130-0.8-EVALZ](#) [ADP130-1.2-EVALZ](#) [ADP130-1.5-EVALZ](#) [ADP130-1.8-EVALZ](#) [ADP160UJZ-REDYKIT](#) [ADP166UJ-EVALZ](#) [ADP1712-3.3-EVALZ](#) [ADP1714-3.3-EVALZ](#) [ADP1715-3.3-EVALZ](#) [ADP1716-2.5-EVALZ](#) [ADP1740-1.5-EVALZ](#) [ADP1752-1.5-EVALZ](#) [ADP1754-1.5-EVALZ](#) [ADP1828LC-EVALZ](#) [ADP1870-0.3-EVALZ](#) [ADP1871-0.6-EVALZ](#) [ADP1873-0.6-EVALZ](#) [ADP1874-0.3-EVALZ](#) [ADP1876-EVALZ](#) [ADP1879-1.0-EVALZ](#) [ADP1882-1.0-EVALZ](#) [ADP1883-0.6-EVALZ](#) [ADP197CB-EVALZ](#) [ADP199CB-EVALZ](#) [ADP2102-1.25-EVALZ](#) [ADP2102-1.2-EVALZ](#)