



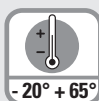
The Codix 52T is a voltage powered dual pulse counter with a common input and separate scaling, for fast and slow count pulses, with 6-digit LED display for PNP, NPN input signals and display switching between A and B.



Power supply



DIN front bezel



Temperature range



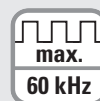
High protection level



Menu-driven programming



Operation with gloves



Pulse counter/Totalizer



Input type

Powerful

- Fast count input – input frequency max. 60 kHz.
- Robust housing – IP65 protected.
- Very bright LED display, 8 mm high.
- Single channel dual totalizer
 - programmable for positive (PNP) or OV (NPN) switching input pulses.
 - fast count inputs with an input frequency of max. 60 kHz, can be damped to 30 Hz for mechanical contacts.
- Short start-up time – detects input pulses just 16 msec after being switched on => no pulses are lost with a simultaneous motor start-up.

User-friendly and universal

- Large keys – can also be operated when wearing gloves.
- Simple uniform menu-driven programming and operation – possible to enter the programming also during operation with a confirmation prompt.
- Individually programmable scaling for both counters multiplication and division factor (0.0001...99.9999), to display corresponding units in, for example, litres, length or packaging size.
- Simple display switching between counters 1 and 2.
- DC power supply.
- As an alternative to the HTL units, models are also available with a fixed signal level threshold >4 V DC for use with TTL signals.
- Reset manual or electrical, programmable separately for both counters (the reset can also be locked out).

Order code

6.52T	.	012	.	3	X	0
				a		

a Input switching level

0 = Standard (HTL)

A = Fixed level

LOW 0 ... 2 V DC

HIGH 4 ... 30 V DC

Delivery specification

- Counter
- Mounting clip
- Front bezel for screw mounting (T008181) 56 x 40 mm [2.20 x 1.57"], panel cut-out 50 x 25 mm [1.97 x 0.98"]
- Front bezel for clip mounting (T008180) 53 x 28 mm [2.09 x 1.10"], panel cut-out 50 x 25 mm [1.97 x 0.98"]
- Gasket
- Instruction manual, multilingual

Pulse counters, electronic

LED pulse counters 2 counters with separate scaling (DC) Codix 52T

Accessories	Dimensions in mm [inch]	Order no.
Adapter front bezel, 72 x 36 [2.83 x 1.42]	for cut-out 68 x 33 [2.68 x 1.30] to cut-out 45 x 22.2 [1.77 x 0.87], for counters 48 x 24 [1.89 x 0.94], as set black and silver anodised	162704 Set
Adapter front bezel, 48 x 48 [1.89 x 1.89]	for cut-out 45 x 45 [1.77 x 1.77] to cut-out 45 x 22.2 [1.77 x 0.87], with clip mounting for counters 48 x 24 [1.89 x 0.94] black	T008883
Adapter front bezel, 60 x 50 [2.36 x 1.97]	for cut-out 54 x 29 [2.13 x 1.14] to cut-out 45 x 22.2 [1.77 x 0.87], with screw mounting and gasket for counters 48 x 24 [1.89 x 0.94] black	N003001
Transparent cover, lockable, IP65	for cut-out 54 x 29 [2.13 x 1.14], for screw mounting to front bezel F1B or adapter front bezel N003001, for counters with cut-out 50 x 25 [1.97 x 0.98] or 45 x 22.2 [1.77 x 0.87]	N003002
Sealing cover type K1, IP65	suitable for front bezel 60 x 50 [2.36 x 1.97], for screw mounting of electromech. counters and via adapter front bezel N003001 for counters 48 x 24 [1.89 x 0.94]	G008301
Mounting frame with cut-out 50 x 25 [2.36 x 1.97] via separate adapter also for 45 x 22.2 [1.77 x 0.87]	for snap-on mounting on 35 [1.38] top-hat DIN rail, for counters 53 x 28 [2.09 x 1.10] and via separate adapter (T008180) for counters 48 x 24 [1.89 x 0.94] chromated	G300004

Pulse counters

Suitable gaskets, other accessories and installation examples for optional accessories can be found in chapter accessories or in the accessories section under: www.kuebler.com/accessories.

Technical data

General technical data	
Display	6 digits, red 7 segment LED display; 8 mm [0.32"] high
Data backup	EEPROM
Operating temperature	10 ... 26 V DC -20°C ... +65°C [-4°F ... +149°F] > 26 ... 30 V DC -20°C ... +55°C [-4°F ... +131°F] (non-condensing)
Storage temperature	-25°C ... +70°C [-13°F ... +158°F]

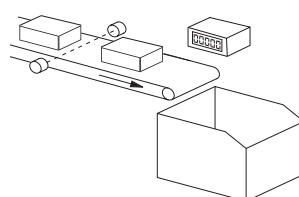
Electrical characteristics	
Power supply	10 ... 30 V DC, with integrated reverse polarity protection
Current consumption	max. 40 mA
EMC standards	EN 55011 class B, EN 61000-6-2, EN 61000-6-3, EN 61326-1
UL approval	file E128604

Inputs	
Polarity of inputs	programmable, NPN or PNP for all inputs
Input resistance	approx. 5 kΩ
Counting frequency	max. 60 kHz, can be damped to 30 Hz
Minimum pulse duration of the reset input	5 ms
Input switching level (HTL)	LOW 0 ... 0.2 x U _B (V DC) HIGH 0.6 x U _B ... 30 V DC
Input switching level at 4 ... 30 V DC	LOW 0 ... 2 V DC HIGH 4 ... 30 V DC

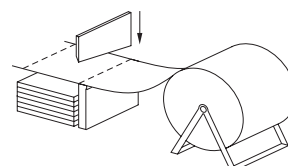
Mechanical characteristics	
Housing	front panel mount 48x24 mm [1.89 x 0.94"] acc. to DIN 43700; RAL 7021, dark grey
Protection	IP65 (front side)
Weight	approx. 50 g [1.76 oz]
Vibration resistance acc. to EN 60068-2-6	10 ... 55 Hz / 1 mm [0.04"] / 30 min
Shock resistance acc. to EN 60068-2-27	100 G: 2 ms 10 G: 6 ms

Application examples for the dual totalizer

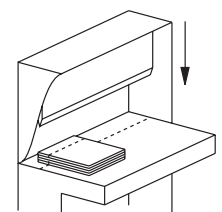
- Logging of piece count and overall total
- Totalizing of flow volumes, quantities and other scalable media
- Counting tasks, such as quantities and piece counting
- Accessories, OEM or retrofit equipment for production machinery
- Piece counting on die-cutters, presses, extruders, wood-processing machines, drilling machines, pick-and-place machines, guillotines, special vehicles
- Measurement of two different values in just one device: e.g. with 2 inputs both the piece count and the number of packages can be counted
- Recording of the total results from 2 work-shifts



Total piece count as well as packing units



Individual and total quantities



Individual and total quantity from 2 work-shifts

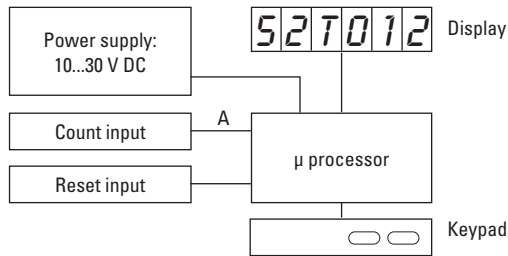
Pulse counters, electronic

LED pulse counters

2 counters with separate scaling (DC)

Codix 52T

Block diagram

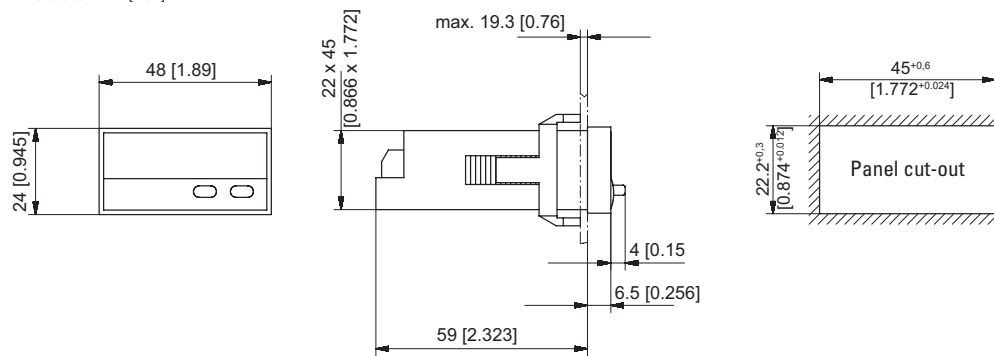


Terminal assignment

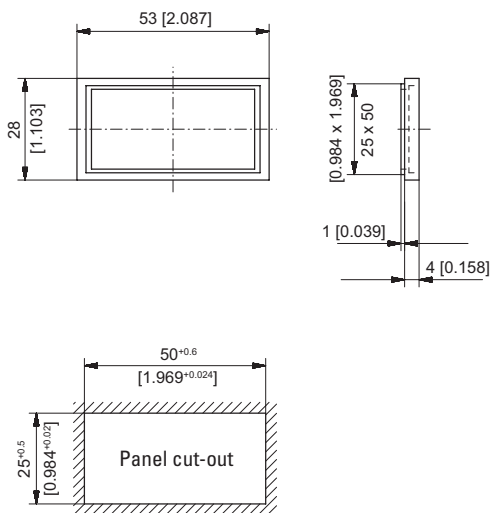
1	2	3	4	5	PIN
					10 ... 30 V DC
					0 V GND
					INP A
					-
					Reset

Dimensions

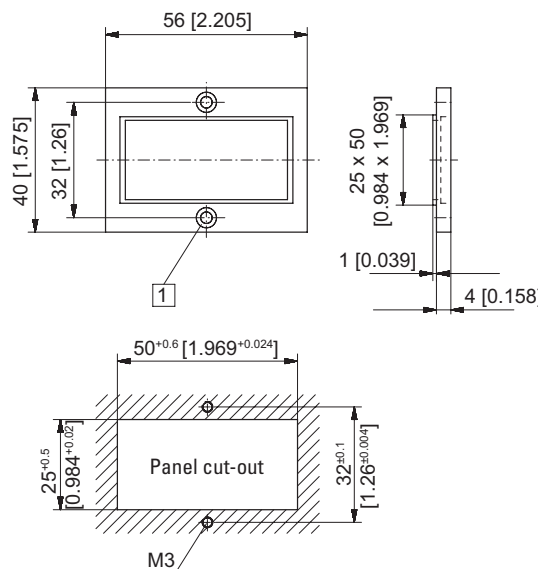
Dimensions in mm [inch]



Front bezel for clip mounting (included in delivery)



Front bezel for screw mounting (included in delivery)



1 Countersinking Af3, DIN 74

X-ON Electronics

Largest Supplier of Electrical and Electronic Components

Click to view similar products for [Counters & Tachometers](#) category:

Click to view products by [Kubler](#) manufacturer:

Other Similar products are found below :

[LC2H-FE-2K-N](#) [H7CN-XLN DC12-48](#) [LC24-F-N](#) [H7CXAWD1NDC1224AC24](#) [H7ER-NV1-H](#) [H7CX-A114S-N AC100-240](#) [H7CX-AWSD-N-DC12-24](#) [H7CX-AU-N AC100-240](#) [GPMZC-SET](#) [CX6S-1P2F](#) [CX6S-1P4F](#) [CX6S-2P2F](#) [CX6S-2P4F](#) [H127.010A01H](#) [H5KLR-11 100-240V AC/DC](#) [H7CX-AUD1-N](#) [H7CX-AW-N](#) [3.550.401.075](#) [3.550.401.351](#) [LC2H-C-2K-N](#) [LC2H-C-30-N](#) [LC2H-F-DL-2KK](#) [LC4H-R4-AC240VS](#) [LC4H-R6-AC240V](#) [1.150.510.012.550](#) [1.150.510.054.550](#) [1.150.510.056.550](#) [6.520.012.300](#) [6.560.010.300](#) [SLE-73-1400-1-4-01](#) [SLIK-94-1521-1-3-001](#) [SLN-94-1421-1-3](#) [SPI-73-1411-1-3-011](#) [CT6S-1P4](#) [Y-50](#) [LC4H-R4-AC24V](#) [LC4H-R4-DC24V](#) [CT6S-2P4](#) [LC2H-F-DL-2KK-B](#) [LC2H-FE-DL-2KK-B](#) [LC2H-FE-FV-30](#) [H127.010A01G](#) [H5KLR-8B 12-48 AC/DC](#) [H7CX-A11-N](#) [H7CX-AD-N](#) [H7CX-AU-N](#) [H7ER-NV1](#) [H8DA 12-48V AC/DC](#) [87622062](#) [99776901](#)