

LCD touch multifunction preset counters Pulse, frequency, time (also reciprocal) – (AC+DC) 571T



The multifunction preset counter 571T with its max. 250 kHz count frequency is ideal for fast counting tasks. It can also be used as a tachometer, short time meter, stop-watch or to measure machine cycle times or throughput times.

Output options include 4 limit values, analog output and RS232 or RS485 interface.

This device is thus able to carry out virtually all count, measurement and control tasks.



AC 115... 230V	DC 18... 30 V	Multifunctional	max. 1 MHz	4	2	mA, V	16 bit	RS 232 / RS485 interface	IP65	POSITION
Power supply			Input frequency (RS422)	4 switching outputs	Relay output	Analog output	Resolution analog output		High protection level	Position display
DIN 96 x 48	8 LCDs	Menu-driven programming	Touch display	Operation with gloves						
DIN front bezel	LCD touch display									

Characteristics

- Fast count input, works with our Limes measuring system (250 kHz/HTL, 1 MHz/RS422).
- 4 switching outputs to work as limit values (reaction time < 1 ms).
- Scalable analog output (reaction time < 1 ms), resolution 16 bit, -10 ... +10 V, 0 ... 20 mA or 4 ... 20 mA.
- Serial interface RS232 or RS485 for reading data in and out.
- Sensor power supply 24 V DC / 150 mA (AC version) or U_B - 1 V / max. 250 mA (DC version).
- 96 x 48 mm DIN housing, IP65.
- Touch display with 8-digit display value and menu-driven programming.
- 2 relay outputs that can be assigned to the limit values.

Benefits

- AC and DC power supply in one unit.
- Measuring function can be programmed for RPM, speed, speed from elapsed time, machine cycle time, throughput time (reciprocal rotary speed), as well as numerous count and stop-watch functions.
- 4 switching outputs; can also be programmed as a tracking preset.
- Freely programmable.
- Large 13 mm high LCD display, 8-digit, with adjustable brightness. Tri-color – red / green / yellow – programmable.
- Display linearization with teach function.

Order code

6.571T . 01 X . X X X
a b c d

a Relay outputs

- 0 = 2 relay outputs
- 2 = without output

b Power supply

- 3 = 18 ... 30 V DC
- E = 18 ... 30 V DC + 115 ... 230 V AC

c Further options

- 0 = HTL count inputs (standard)
- A = RS422 / HTL differential / HTL count inputs (option)

d Electrical outputs

- 0 = none
- 1 = RS232, 4 switching outputs
- 2 = RS232, 4 switching outputs, analog output
- 3 = RS485, 4 switching outputs

Delivery specification

- Display 571T
- Gasket
- Mounting kit
- Manual German/English

Stock types

- 6.571T.012.301
- 6.571T.012.302
- 6.571T.010.302
- 6.571T.010.E02

Multifunction devices, electronic

LCD touch multifunction preset counters		Pulse, frequency, time (also reciprocal) – (AC+DC)	571T
Accessories			Order no.
Mounting frame with cut-out 92 x 45 [3.62 x 1.77]	for snap-on mounting on 35 [1.38] top-hat DIN rail, for counters 96 x 48 [3.74 x 1.89]	grey	G300005
OS6.0 software for parameter setting	can be downloaded at www.kuebler.com		

Suitable gaskets as well as further accessories can be found in the accessories section or in the accessories area of our website at: www.kuebler.com/accessories.

Technical data

General technical data	
Display	LCD touch display, 13 mm high 8 decades + sign
Operating temperature	-20°C ... +60°C [-4°F ... +140°F] (non-condensing)
Storage temperature	-25°C ... +70°C [-13°F ... +158°F]
Altitude	up to 2000 m [6562']

Electrical characteristics	
Power supply	18 ... 30 V DC, with reverse polarity protection (rated voltage 24 V DC) 115 ... 230 V AC, 50/60 Hz (option)
Current consumption DC	100 mA, without load
Power consumption AC	approx. 3 VA, without load
Auxiliary voltage for sensors (with RS 422 switchable from 24 V DC to 5 V DC / 250 mA)	
AC supply	24 V DC ±15 %, 150 mA (up to +45°C) 80 mA (from +46°C)
DC supply	U _B - 1 V, 250 mA
EMC standards	EN 61000-6-2, EN 61000-6-3, EN 61000-6-4, EN 61326-3-2
Device safety	designed to EN 61010 part 1 protection class 2 application area pollution level 2

Mechanical characteristics	
Housing	ABS UL94-V-0
Weight	approx. 200 g
Protection	IP65 (front side) IP20 (rear side)
Terminals	max. 1.5 mm ²

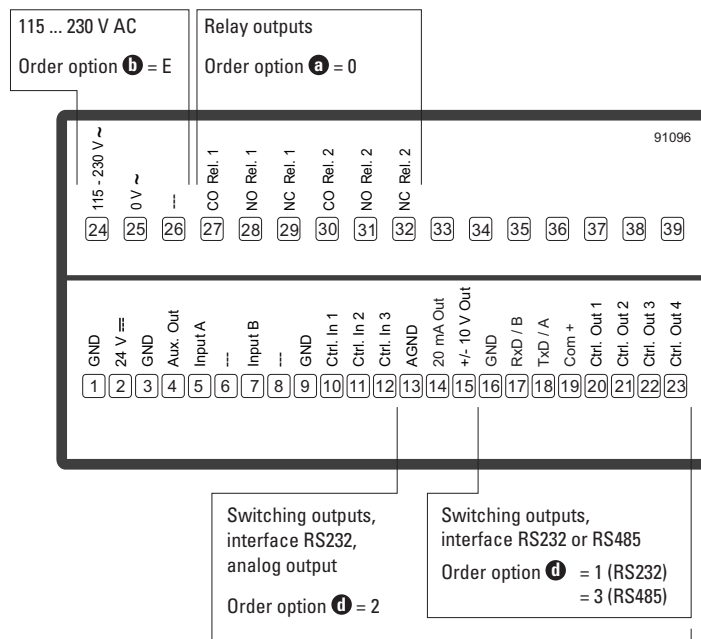
Inputs	
2 incremental inputs (A, B)	
HTL (standard)	pulse Tri-State, PNP, NPN and Namur input frequency max. 250 kHz input level Low: 0 ... 3 V / High: 9 ... 30 V load max. 6 mA / Ri > 5 kΩ / 470 pF
4 incremental inputs (A, /A, B, /B)	
RS422 / HTL differential / HTL PNP-NPN (option)	
input frequency	RS422: max. 1 MHz HTL differential: max. 500 kHz HTL: max. 250 kHz
input level	RS422: > 0.5 V HTL differential: > 2 V HTL: Low 0 ... 3 V / High 9 ... 30 V
load	max. 3 mA / Ri > 10 kΩ / 47 pF
3 control inputs (Cnt 1 - 3)	
input frequency	PNP max. 10 kHz
input level	HTL: Low 0 ... 3 V / High 9 ... 30 V
load	max. 2 mA / Ri > 15 kΩ / 470 pF
Accuracy frequency	±1 ppm ±1 digit

Outputs (option)	
4 switching outputs	5 ... 30 V DC/200 mA (PNP)
reaction time	< 1 ms
Interface	RS232 or RS485 Drivecom protocol / Modbus / Printer 9600 ... 38400 Baud
Analog output	-10 ... +10 V (max. 2 mA) or 0 ... 20 mA, 4 ... 20 mA (max. 270 Ω)
resolution	16 bit (15 bit + sign)
accuracy	±0.1 %
reaction time	< 1 ms
Relay output	2 changeover contacts (potential free) max. 250 V AC / 3 A / 750 VA max. 150 V DC / 2 A / 50 W
reaction time	< 20 ms

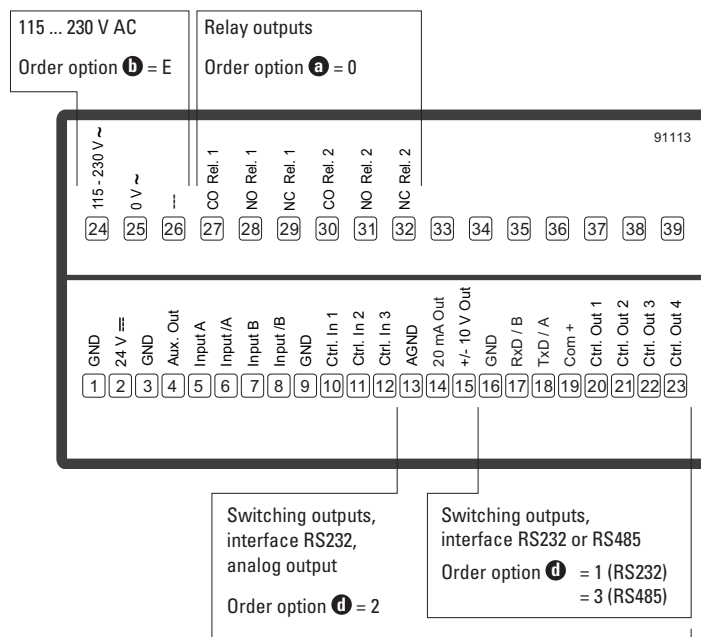
Multifunction devices, electronic

LCD touch multifunction preset counters Pulse, frequency, time (also reciprocal) – (AC+DC) 571T

Terminal assignment HTL (standard)

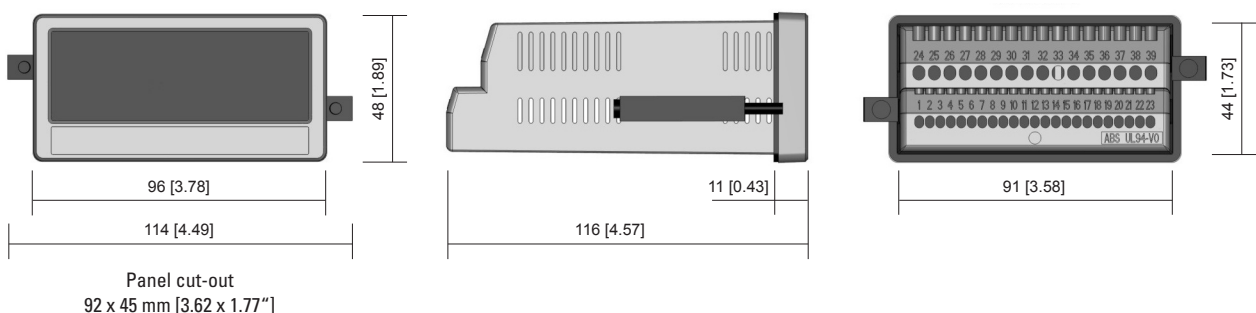


Terminal assignment RS422 / HTL differential / HTL (option)



Dimensions

Dimensions in mm [inch]



X-ON Electronics

Largest Supplier of Electrical and Electronic Components

Click to view similar products for [Counters & Tachometers](#) category:

Click to view products by [Kubler](#) manufacturer:

Other Similar products are found below :

[LC2H-FE-2K-N](#) [H7CN-XLN DC12-48](#) [LC24-F-N](#) [H7CXAWD1NDC1224AC24](#) [H7ER-NV1-H](#) [H7CX-A114S-N AC100-240](#) [H7CX-AWSD-N-DC12-24](#) [H7CX-AU-N AC100-240](#) [GPMZC-SET](#) [CX6S-1P2F](#) [CX6S-1P4F](#) [CX6S-2P2F](#) [CX6S-2P4F](#) [H127.010A01H](#) [H5KLR-11 100-240V AC/DC](#) [H7CX-AUD1-N](#) [H7CX-AW-N](#) [3.550.401.075](#) [3.550.401.351](#) [LC2H-C-2K-N](#) [LC2H-C-30-N](#) [LC2H-F-DL-2KK](#) [LC4H-R4-AC240VS](#) [LC4H-R6-AC240V](#) [1.150.510.012.550](#) [1.150.510.054.550](#) [1.150.510.056.550](#) [6.520.012.300](#) [6.560.010.300](#) [SLE-73-1400-1-4-01](#) [SLIK-94-1521-1-3-001](#) [SLN-94-1421-1-3](#) [SPI-73-1411-1-3-011](#) [CT6S-1P4](#) [Y-50](#) [LC4H-R4-AC24V](#) [LC4H-R4-DC24V](#) [CT6S-2P4](#) [LC2H-F-DL-2KK-B](#) [LC2H-FE-DL-2KK-B](#) [LC2H-FE-FV-30](#) [H127.010A01G](#) [H5KLR-8B 12-48 AC/DC](#) [H7CX-A11-N](#) [H7CX-AD-N](#) [H7CX-AU-N](#) [H7ER-NV1](#) [H8DA 12-48V AC/DC](#) [87622062](#) [99776901](#)