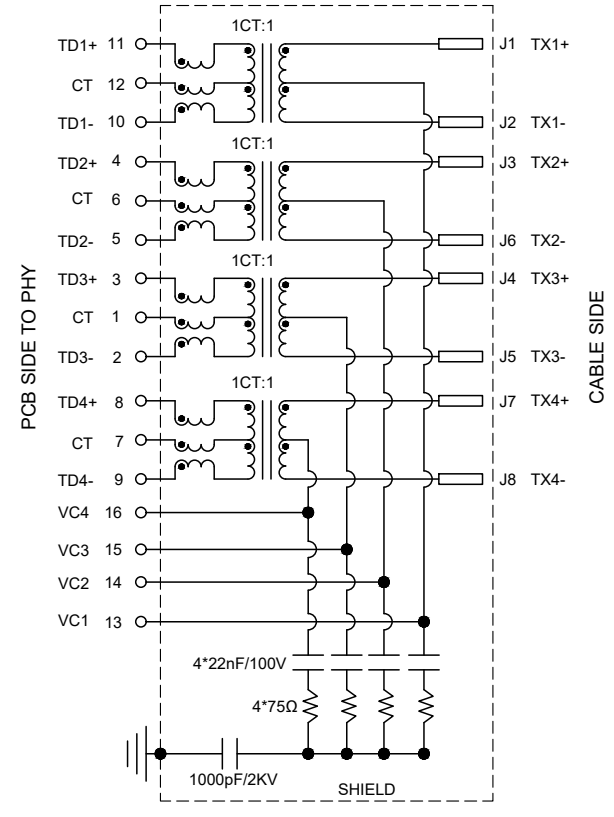


RECOMMENDED PCB LAYOUT



Materials and Finish

Housing: PBT Thermoplastic
 UL 94V-0 Rated
 Color: Black

Shield: Brass, Nickel Plated

Contact Material:
 Phosphor Bronze

Plating :
 Nickel Underplating,
 50u" Gold Plating on Contact Area,
 Tin Plated on Solder Area

Electrical Characteristics

IEEE 802.3bt Rated: 57VDC
 720mA per wire pair
 Insulation Resistance:
 500 Megohms Min.
 Contact Resistance:
 20 milliohms Max.
 Dielectric Withstanding Voltage:
 2250V DC for 1 Minute

Mechanical Characteristics

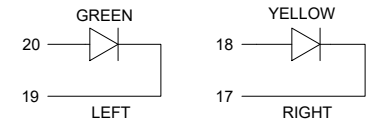
Durability Rating:
 750 Mating Cycles Min.
 Operating Temperature:
 -40°C to +85°C

ELECTRICAL PROPERTIES OF MAGNETICS:

Insertion Loss (dB Max)			Return Loss (dB Min)		Cross Talk (dB Min)	CMR (dB Min)			OCL (uH Min)
1~50 MHz	50~125MHz	125~250MHz	1~40 MHz	40~250 MHz	1~250 MHz	1~40 MHz	40~100MHz	100~500MHz	@100 KHz & 0.1 V
-0.5	-1.2	-2	-16	-16+10LOG ₁₀ (f/40MHz)	-30	-30	-28	-26	120

LED Specification

Standard LED Color	LED Wavelength	Foward(A)	Foward(V)
Green	568nm	20mA	1.85-2.45V
Yellow	585nm	20mA	1.7-2.2V



Tolerances

X.X ± 0.30
 X.XX ± 0.25
 Unless Stated
 Otherwise



REV.	DATE	DESCRIPTION	REV. BY	CHK. BY	DRAWN BY	DATE
A0.1	08/21/20	New Drawing	G. Serrato	D. Shehan	G. Serrato	08/21/20
A1	03/15/21	Release Drawing	C. Kelleher	N/A		

G16LX-112S-5G-GY-50

Right Angle 5G Mag Jack w/ POE++
 Tab Up, Shielded, LEDs



X-ON Electronics

Largest Supplier of Electrical and Electronic Components

Click to view similar products for [Modular Connectors](#) / [Ethernet Connectors](#) category:

Click to view products by [Kycon](#) manufacturer:

Other Similar products are found below :

[8949-H88/06BLKA/SN](#) [74441-0010/BKN](#) [PHP-6P6C-5](#) [GAX-3-66](#) [GAX-8-62](#) [GDCX-PN-66](#) [GLX-A-44](#) [GLX-N-1010M-BLK](#) [GMX-SMT4-N-88](#) [GSGX-N-2-88](#) [GSGX-N-4-88](#) [GSX-NS2-88-3.05](#) [GSX-NS-88-3.68](#) [PT-108A-8C-UL](#) [PTS-J531-8CS-50UL](#) [A-2014-0-4](#)
[GWLX-S9-88-YG](#) [DC-1021-8-WH-6](#) [1300530003](#) [1324640-4](#) [RJ11FTVC2G](#) [RJ11FTVC2N](#) [RJFTVX2SA1G](#) [132764-001](#) [1413235](#)
[MPS88RX-5000](#) [E5288-S000K3-L](#) [155302-001](#) [AX101050](#) [AX101063](#) [AX101065](#) [AX101072](#) [AX101307](#) [AX101315](#) [AX101318](#)
[AX102271](#) [AX102288](#) [AX102651](#) [AX102660](#) [J0012D21NL](#) [J0026D01ENL](#) [PC4D0018P](#) [8949-B88/6](#) [2-6609208-5](#) [937-SP-3088-2PC-A192](#)
[303066VFL](#) [303068V](#) [303088LFLSA](#) [303088SBL](#) [30-8603](#)