

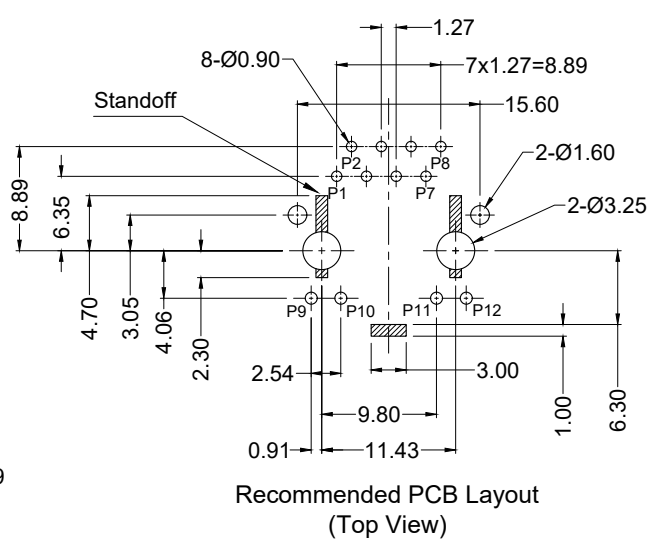
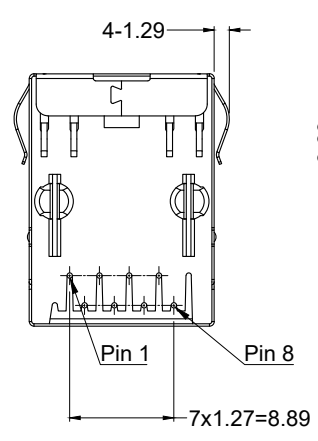
Materials and Finish

Housing Material: High Temperature Thermoplastic, UL 94V-0 Rated, Color: Black

Shield: Stainless Steel

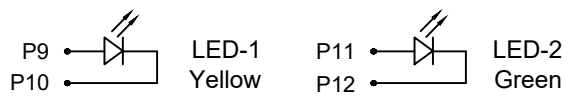
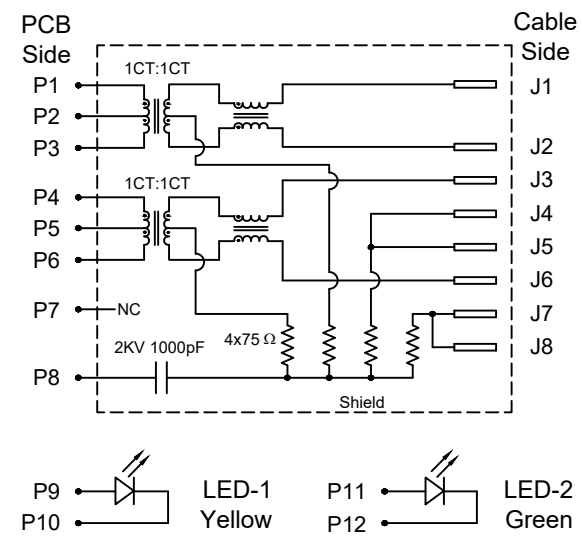
Contact Material: Copper Alloy

- Plating Options:
- Standard: Nickel Underplating, Gold Flash Plating on Contact Area, Tin Plating on Solder Area
 - 15 Option: Nickel Underplating, 15u" Gold Plating on Contact Area, Tin Plating on Solder Area
 - 50 Option: 50u" Gold Plating 50u" Gold Plating on Contact Area, to Comply With ANSI/TIA-1096-A, Tin Plating on Solder Area



Recommended PCB Layout (Top View)

Magnetics Schematic



Electrical Characteristics

- Insulation Resistance: 500 Megohms Min.
- Contact Resistance: 50 milliohms Max.
- Dielectric Withstanding Voltage: 500V AC Min. for 1 Minute

Mechanical Characteristics

- Durability Rating: 750 Mating Cycles Min.
- Operating Temperature: 0°C to +70°C

Electrical Properties:

Insertion Loss (dB Typ)	Return Loss			Cross Talk (dB Min)	CMR (dB Min)
	at 100Ω	(dB Min)			
100KHz~100MHZ	1~30MHZ	30~60MHZ	60~80MHZ	1~100MHZ	30~100MHZ
-1.1	-18	-16	-12	-40	-35

Part Number	Contact Area Plating Finish
G1LX-188S7-BB-YG1	Gold Flash (Standard)
G1LX-188S7-BB-YG1-15	15u" Gold (15 Option)
G1LX-188S7-BB-YG1-50	50u" Gold (50 Option)

Tolerances
X.X ± 0.35
X.XX ± 0.25
Unless Stated Otherwise



REV.	DATE	DESCRIPTION	REV. BY	CHK. BY	DRAWN BY	DATE
A0	06/16/14	New Drawing	C. Kelleher	P. DalCanto	C. Kelleher	3/25/14
A1	08/15/14	Release Drawing	D. Gih	P. DalCanto		
A2	08/03/18	Update Address	D. Shehan			

G1LX-188S7-BB-YG1

8P8C ModJack, Tab Down, Shielded, 10/100 Magnetics, Yellow & Green LEDs, In-Line LED Leads, RoHS Compl.



X-ON Electronics

Largest Supplier of Electrical and Electronic Components

Click to view similar products for [High Speed/Modular Connectors](#) category:

Click to view products by [Kycon](#) manufacturer:

Other Similar products are found below :

[650827-1](#) [74040-1346](#) [1410191-1](#) [1410337-1](#) [1410368-3](#) [1410964-2](#) [1410326-3](#) [1410367-3](#) [1410971-4](#) [1467833-1](#) [2000877-1](#) [2000878-1](#)
[2041314-1](#) [2065387-1](#) [2187307-1](#) [163P](#) [1934290-1](#) [2000875-1](#) [2065917-1](#) [2102736-2](#) [FSR-40](#) [2169868-2](#) [22354-8](#) [437-5040-000](#) [5-](#)
[1393565-0](#) [039-0246-000](#) [0761601016](#) [0784461022](#) [10123159-12ELF](#) [030-2415-003/100 PK](#) [030-7380-004](#) [030-2494-001](#) [532939-1](#)
[5532901-3](#) [3-1469268-7](#) [74748-102LF](#) [73670-0247](#) [10041743-101LF](#) [10066670-100002LF](#) [1-533915-1](#) [249-4515-000](#) [7-1469373-3](#) [DL2-](#)
[2J/S](#) [2000713-8](#) [2000713-7](#) [3011-21](#) [757105208](#) [EBTF-4-10-2.0-S-RA-1](#) [430305-001](#) [4395800100](#)