

**Materials and Finish**

Housing Material: High Temperature Thermoplastic, UL 94V-0 Rated, Color: Black

Shield: Copper Alloy, Nickel Plated

Contact Material: Copper Alloy

Plating:  
 30 Option: Nickel Underplating, Contact Area Plated with 30u" Gold, Tin Plating on Solder Area  
 50 Option: Nickel Underplating, Contact Area Plated with 50u" Gold to Comply with ANSI/TIA-1096-A, Tin Plated on Solder Area

**Electrical Characteristics**

Insulation Resistance:  
500 Megohms Min.

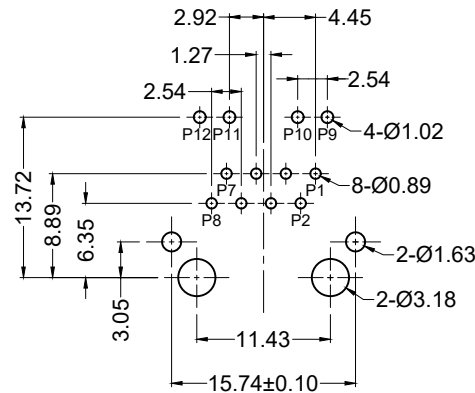
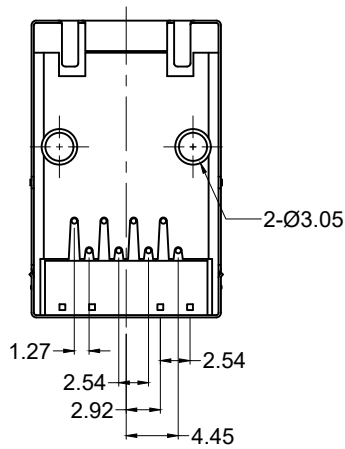
Contact Resistance:  
50 milliohms Max.

Dielectric Withstanding Voltage:  
500V AC Min. for 1 Minute

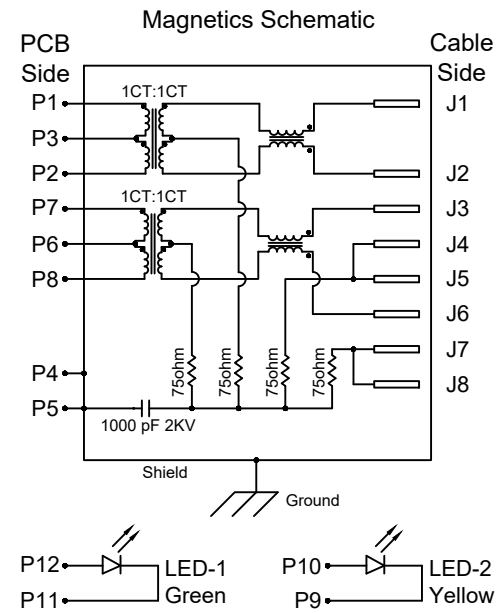
**Mechanical Characteristics**

Durability Rating:  
750 Mating Cycles Min.

Operating Temperature:  
0°C to +70°C



Recommended PCB Layout (Top View)



**Electrical Properties:**

Insertion Loss (dB Max)	Return Loss (dB Min)			Cross Talk (dB Min)	Common Mode Rejection
	1~100MHz	1~30MHz	30~60MHz		
-1.1	-18	-16	-12	-35	-30 dB Min

Part Number	Contact Area Plating Finish
G2LX-188S1-CC-GY1-15	15u" Gold (15 Option)
G2LX-188S1-CC-GY1-30	30u" Gold (30 Option)
G2LX-188S1-CC-GY1-50	50u" Gold (50 Option)

Discontinued

Tolerances
X.X ± 0.35
X.XX ± 0.25
Unless Stated Otherwise



REV.	DATE	DESCRIPTION	REV. BY	CHK. BY	DRAWN BY	DATE
A0	06/24/14	New Drawing	D. Gih	P. DalCanto	D. Gih	04/21/14
A1	03/26/15	Release Drawing	W. Cook	N/A		
A2	03/17/17	Update Electrical Properties	C. Kelleher	G Serrato	UNITS	mm
A3	12/10/19	ECO #19-072	C. Kelleher	D. Shehan		
A4	08/15/22	ECO #22-018	C. Kelleher	C. Furumasa		

G2LX-188S1-CC-GY1-xx

8P8C ModJack, Tab Up, Shielded, 10/100

Magnetics, Green & Yellow LEDs, RoHS Compl.



## X-ON Electronics

Largest Supplier of Electrical and Electronic Components

*Click to view similar products for [Modular Connectors](#) / [Ethernet Connectors](#) category:*

*Click to view products by [Kycon](#) manufacturer:*

Other Similar products are found below :

[8949-H88/06BLKA/SN](#) [74441-0010/BKN](#) [PHP-6P6C-5](#) [GAX-3-66](#) [GAX-8-62](#) [GDCX-PN-66](#) [GLX-A-44](#) [GLX-N-1010M-BLK](#) [GMX-SMT4-N-88](#) [GSGX-N-2-88](#) [GSGX-N-4-88](#) [GSX-NS2-88-3.05](#) [GSX-NS-88-3.68](#) [PT-108A-8C-UL](#) [PTS-J531-8CS-50UL](#) [A-2014-0-4](#)  
[GWLX-S9-88-YG](#) [DC-1021-8-WH-6](#) [1300530003](#) [1324640-4](#) [RJ11FTVC2G](#) [RJ11FTVC2N](#) [RJFTVX2SA1G](#) [132764-001](#) [1413235](#)  
[MPS88RX-5000](#) [E5288-S000K3-L](#) [155302-001](#) [AX101050](#) [AX101063](#) [AX101065](#) [AX101072](#) [AX101307](#) [AX101315](#) [AX101318](#)  
[AX102271](#) [AX102288](#) [AX102651](#) [AX102660](#) [J0012D21NL](#) [J0026D01ENL](#) [PC4D0018P](#) [8949-B88/6](#) [2-6609208-5](#) [937-SP-3088-2PC-A192](#)  
[303066VFL](#) [303068V](#) [303088LFLSA](#) [303088SBL](#) [30-8603](#)