



MODULAR JACKS AND PLUGS:

G7LX-A Series

RJ45 Modular Jack with 10/100 magnetics and POE, LEDs

Product Features

- Includes magnetics to support 10/100 Base-T applications
- POE compatible
- LEDs for status indicators
- Shielded for EMI suppression
- Snap in retention pegs

Performance Specifications

Materials and Finish

Housing Material

PA66, UL 94V-0 Rated, Color: Black

Shield

Brass, Nickel Plated

Contact Material

Phosphor Bronze

Plating

Nickel Underplating, 6µ" Gold Plating on Contact Area, Tin Plated on Solder Area

Electrical Characteristics

Insulation Resistance

750 Megohms Min.

Contact Resistance

20 milliohms Max.

Dielectric Withstanding Voltage

500V AC for 1 Minute

Mechanical Characteristics

Durability Rating

500 Mating Cycles Min.

Operating Temperature

-40°C to +85°C

2D Drawing	IGES	STEP	3D PDF
Solder Profile	CofC RoHS Compliant	CofC REACH Compliant	UL Plastic File
Certificate of Origin	Check Stock	Request a Sample	Send Us An Email

Generated Part Number



Part Number Builder

<input type="text"/>	-	<input type="text"/>	<input type="text"/>	<input type="text"/>	<input type="text"/>
Series		No. of Positions/Contacts	Shield Option	Options	LED Color Option

Series

G7LX-A - RJ45 Modular Jack with 10/100 magnetics and POE, LEDs

Number of Positions / Contacts

88 - 8 Positions / 8 Contacts

Shield Options

S7 - Fully Shielded

Magnetics Package

BP - 10/100 with POE

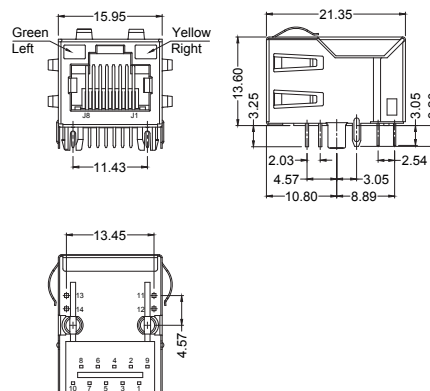
LED Color

G/Y - Green/Yellow

Contact Kycon for Schematics Options

G7LX Series

Dimensions in mm



X-ON Electronics

Largest Supplier of Electrical and Electronic Components

Click to view similar products for [Modular Connectors](#) / [Ethernet Connectors](#) category:

Click to view products by [Kycon](#) manufacturer:

Other Similar products are found below :

[8949-H88/06BLKA/SN](#) [74441-0010/BKN](#) [MP1010RX-1000](#) [MP44RX-1000](#) [PHJ-4P4C-1-V-4](#) [PHP-6P6C-5](#) [GAX-3-66](#) [GAX-8-62](#) [GDCX-PA-66-50](#) [GDCX-PN-64](#) [GDCX-PN-66](#) [GDCX-PN-66-50](#) [GDLX-A-66](#) [GDLX-N-66](#) [GDLX-S-66](#) [GDLX-S-88K](#) [GDTX-S-88-50](#) [GDX-PA-1010](#) [GLX-N-1010M-BLK](#) [GLX-S-88M-BLK](#) [GMX-N-1010](#) [GMX-S-1010](#) [GMX-S-66](#) [GMX-SMT4-N-88](#) [GPX-2-64](#) [GSGX-N-2-88](#) [GSGX-N-4-88](#) [GSX-NS2-88-3.05](#) [GSX-NS2-88-3.05-50](#) [GSX-NS-88-3.68](#) [PT-108A-8C-UL](#) [PT-J951-8C](#) [PTS-J531-8CS-50UL](#) [1-1775629-2](#) [A-2014-0-4](#) [GWLX-S-88-GR](#) [GWLX-S9-88-YG](#) [DC-1021-8-WH-6](#) [1300530003](#) [1324640-4](#) [RJ11FTVC2G](#) [RJ11FTVC2N](#) [RJFTVX2SA1G](#) [132764-001](#) [1413235](#) [MP88X-1000](#) [MPS88RX-5000](#) [MRJR-5481-0F2](#) [E5288-S000K3-L](#) [E5908-15A242-L](#)