

2D Drawing	IGES	STEP	3D PDF
Solder Profile	CofC RoHS Compliant	CofC REACH Compliant	UL Plastic File
Certificate of Origin	Check Stock	Request a Sample	Send Us An Email

Generated Part Number



Part Number Builder

<input type="text"/>	-	<input type="text"/>	<input type="text"/>	<input type="text"/>	<input type="text"/>
Series		No. of Port	No. of Positions Contacts	Shield Option	Option

**Series**

G8X - RJ45 Modular Jack with 10/100 magnetics and POE

**Number of Ports**

1 - 1 Port

**Number of Positions / Contacts**

88 - 8 Positions / 8 Contacts

**Shield Options**

S7 - Shielded

**Magnetics Package**

BP - 10/100 with POE

Contact Kycon for Schematics Options

**MODULAR JACKS AND PLUGS:  
G8X Series**

RJ45 Modular Jack with 10/100 magnetics and POE

**Product Features**

- Includes magnetics to support 10/100 Base-T applications
- POE compatible
- LEDs for status indicators
- Shielded for EMI suppression
- PCB guide pegs

**Performance Specifications**

**Materials and Finish**

**Housing Material**

PBT Thermoplastic, UL 94V-0 Rated, Black Color

**Shield Material**

Brass, Nickel Plated

**Contact Material**

Phosphor Bronze

**Plating**

Nickel Underplating, 6µ" Gold Plate on Contact Area, Tin Plated on Solder Area

**Electrical Characteristics**

**Insulation Resistance**

500 Megohms Min.

**Contact Resistance**

20 milliohms Max.

**Dielectric Withstanding Voltage**

1200V AC for 1 Minute

**Mechanical Characteristics**

**Durability Rating**

750 Cycles Min.

**Mating Force**

30 N Max.

**Operating Temperature**

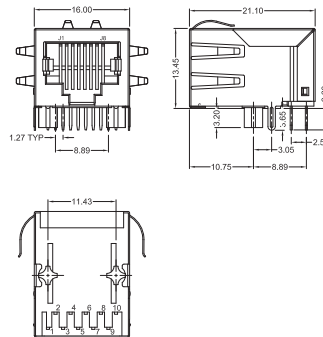
-40°C to +85°C

**Storage Temperature**

-40°C to +85°C

**G8X Series**

Dimensions in mm



## X-ON Electronics

Largest Supplier of Electrical and Electronic Components

*Click to view similar products for [Modular Connectors](#) / [Ethernet Connectors](#) category:*

*Click to view products by [Kycon](#) manufacturer:*

Other Similar products are found below :

[8949-H88/06BLKA/SN](#) [74441-0010/BKN](#) [MP1010RX-1000](#) [MP44RX-1000](#) [PHJ-4P4C-1-V-4](#) [PHP-6P6C-5](#) [GAX-3-66](#) [GAX-8-62](#) [GDCX-PA-66-50](#) [GDCX-PN-64](#) [GDCX-PN-66](#) [GDCX-PN-66-50](#) [GDLX-A-66](#) [GDLX-N-66](#) [GDLX-S-66](#) [GDLX-S-88K](#) [GDTX-S-88-50](#) [GDX-PA-1010](#) [GLX-N-1010M-BLK](#) [GLX-S-88M-BLK](#) [GMX-N-1010](#) [GMX-S-1010](#) [GMX-S-66](#) [GMX-SMT4-N-88](#) [GPX-2-64](#) [GSGX-N-2-88](#) [GSGX-N-4-88](#) [GSX-NS2-88-3.05](#) [GSX-NS2-88-3.05-50](#) [GSX-NS-88-3.68](#) [PT-108A-8C-UL](#) [PT-J951-8C](#) [PTS-J531-8CS-50UL](#) [1-1775629-2](#) [A-2014-0-4](#) [GWLX-S-88-GR](#) [GWLX-S9-88-YG](#) [DC-1021-8-WH-6](#) [1300530003](#) [1324640-4](#) [RJ11FTVC2G](#) [RJ11FTVC2N](#) [RJFTVX2SA1G](#) [132764-001](#) [1413235](#) [MP88X-1000](#) [MPS88RX-5000](#) [MRJR-5481-0F2](#) [E5288-S000K3-L](#) [E5908-15A242-L](#)