

**IP67 Connectors: GM67X-CBL Series**  
**Box Side, IP67 Panel Mount Jack with Cable and PLUG**

**(Must Be Used with GM67X Series Cable Side Part)**

**Product Features**

- IP67
- Panel Mount
- Cable and Plug Termination
- Cat. 5 Cable UTP
- Optional Cap Available

**Performance Specifications**

**Materials and Finish**

**Housing Material**

Polycarbonate, UL 94V-0 Rated, Black Color

**Contact Material**

Phosphor Bronze

**Nut Material**

Polycarbonate, UL 94V-0 Rated, Black Color

**Gasket Material**

Silicone, UL 94HB Rated, Red Color

**Electrical Characteristics**

**Insulation Resistance**

500 Megohms Min.

**Dielectric Withstanding Voltage**

1000V AC RMS for 1 Minute

**Contact Resistance**

50 milliohms Max.

**Current Rating**

1.5A

**Voltage Rating**

125V DC

**Durability**

1000 Mating Cycles Min.

**Operating Temperature**

-40°C to +80°C

**Note**

- \*Must be used with GM67X series cable side part
- \*Kycon can provide custom cable assemblies (mins will apply)

2D Drawing	IGES	STEP	3D PDF
Solder Profile	CofC RoHS Compliant	CofC REACH Compliant	UL Plastic File
Certificate of Origin	Check Stock	Request a Sample	Send Us An Email

Generated Part Number

Part Number Builder

Series	Cable Length	Plug Option	Plating Option

**Series**

GM67X-CBL - Panel Mount IP67 Modular Jack with Cable and plug

**Cable Length**

- 152 - 152mm
- 304 - 304mm

**Plug Option**

P - Plug

**Plating Option**

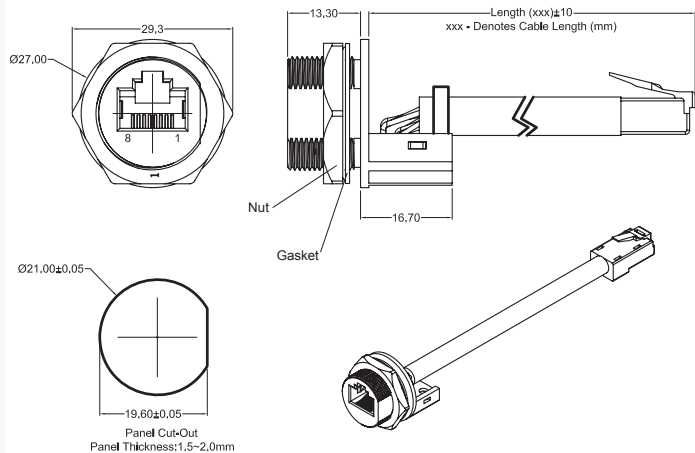
- Blank - Gold Flash
- 50 - 50µ" Gold Plating

Contact Kycon For Other Option

**GM67X-CBL Series**

Dimensions in mm

**GM67X-CBL-xxx-P**



\*Kit includes cable, nut, and gasket  
 Recommended Nut Torque: 12 Kgf-cm

## X-ON Electronics

Largest Supplier of Electrical and Electronic Components

*Click to view similar products for [Ethernet Cables / Networking Cables](#) category:*

*Click to view products by [Kycon](#) manufacturer:*

Other Similar products are found below :

[73-6670-7](#) [73-6680-15](#) [73-7797-25](#) [MCJB2-10P6Q7-120](#) [84909-0204](#) [1200700174](#) [1200860368](#) [E16A06002M030](#) [E200102-009-S1](#)  
[AX105346-EW](#) [MT14-187L](#) [17-103530](#) [ERWPAB3002M005](#) [190-038045-01](#) [NK5EPC18RDY](#) [NK5EPC18VLY](#) [NK5EPC18YLY](#)  
[NK5EPC1GRY](#) [NK5EPC4Y](#) [NK5EPC6YLY](#) [NK5EPC8BLY](#) [NK5EPC9YLY](#) [1969343-6](#) [C501100010](#) [C501106002](#) [C501106007](#)  
[C501106015](#) [C501106025](#) [C601102010](#) [C601104010](#) [C601106007](#) [C601106015](#) [2142758-2](#) [2168427-2](#) [CAT1106007](#) [21949-1](#) [2J1866A](#)  
[RJF SFTP 5E 0500](#) [AX100351](#) [MN14CEC/ST](#) [C501100015](#) [C501106004](#) [C501106010](#) [C5F1108007](#) [C601104004](#) [C601106004](#)  
[CA21106004](#) [CA21106010](#) [CA21106015](#) [CA21109007](#)