

MODULAR JACKS AND PLUGS: GMX-SMT4 Series True Surface Mount Modular Jack

Product Features

Low Profile Design Suitable for PC Add-On Board Applications
Available in 4, 6, 8, and 10 Position Housings
CSA/NRTL Certified File No. LR78160
UL File No. E134345

Performance Specifications

Materials and Finish

Housing Material
High Temperature Thermoplastic, Reflow Compatible,
UL 94V-0 Rated, Black Color

Contact Material

Phosphor Bronze

Electrical Characteristics

Insulation Resistance

500 Megohms Min.

Dielectric Withstanding Voltage

1000V RMS, 60Hz

Contact Resistance

20 milliohms Max.

Current Rating

1.0A

Voltage Rating

125V DC

Operating Temperature

-40°C to +85°C

Durability

1000 Mating Cycles Min.

2D Drawing	IGES	STEP	3D PDF
Solder Profile	CofC RoHS Compliant	CofC REACH Compliant	UL Plastic File
Certificate of Origin	Check Stock	Request a Sample	Send Us An Email

Generated Part Number

Part Number Builder

<input type="text"/>	-	<input type="text"/>	<input type="text"/>	<input type="text"/>	<input type="text"/>
Series		Shield Option	No. of Positions & Contacts	Plating Options	Packaging Options

Series

GMX-SMT4 - Surface Mount, Right Angle, Modular Jack

Shield Options

N - Non-Shielded

Number of Positions / Contacts

44 - 4 Positions / 4 Contacts
64 - 6 Positions / 4 Contacts
66 - 6 Positions / 6 Contacts
88 - 8 Positions / 8 Contacts

Plating Option

Blank - Gold Flash
50 - 50µ" Gold Plating

Packaging Option

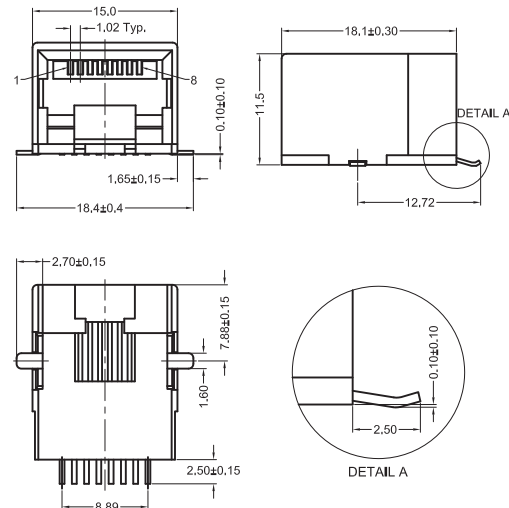
Blank - Bulk
TR - Tape & Reel

Contact Kycon for Other Options

GMX-SMT4 Series

Dimensions in mm

GMX-SMT4-N-88



X-ON Electronics

Largest Supplier of Electrical and Electronic Components

Click to view similar products for [Modular Connectors](#) / [Ethernet Connectors](#) category:

Click to view products by [Kycon](#) manufacturer:

Other Similar products are found below :

[8949-H88/06BLKA/SN](#) [74441-0010/BKN](#) [MP1010RX-1000](#) [MP44RX-1000](#) [PHP-6P6C-5](#) [GAX-3-66](#) [GAX-8-62](#) [GDCX-PA-66-50](#) [GDCX-PN-64](#) [GDCX-PN-66](#) [GDCX-PN-66-50](#) [GDLX-A-66](#) [GDLX-N-66](#) [GDLX-S-66](#) [GDLX-S-88K](#) [GDTX-S-88-50](#) [GDX-PA-1010](#) [GLX-N-1010M-BLK](#) [GLX-S-88M-BLK](#) [GMX-N-1010](#) [GMX-S-1010](#) [GMX-S-66](#) [GMX-SMT4-N-88](#) [GPX-2-64](#) [GSGX-N-2-88](#) [GSGX-N-4-88](#) [GSX-NS2-88-3.05](#) [GSX-NS2-88-3.05-50](#) [GSX-NS-88-3.05-50](#) [GSX-NS-88-3.68](#) [PT-108A-8C-UL](#) [PT-J951-8C](#) [PTS-J531-8CS-50UL](#) [1-1775629-2](#) [A-2014-0-4](#) [GWLX-S-88-GR](#) [GWLX-S9-88-YG](#) [DC-1021-8-WH-6](#) [1300530003](#) [1324640-4](#) [RJ11FTVC2G](#) [RJ11FTVC2N](#) [RJFTVX2SA1G](#) [132764-001](#) [1413235](#) [MP88X-1000](#) [MPS88RX-5000](#) [MRJR-5481-0F2](#) [E5288-S000K3-L](#) [E5908-15A242-L](#)