

Materials and Finish

Housing: PBT Thermoplastic
 UL 94V-0 Rated
 Color: Black

Shield: Copper Alloy, Nickel Plated

Contact Material:
 Phosphor Bronze

Plating Options:

Standard: Nickel Underplating,
 Gold Flash Plated on Contact Area,
 Tin Plated on Solder Area

50 Option: Nickel Underplating,
 Contact Area Plated with 50u" Gold
 to Comply with ANSI/TIA-1096-A
 Tin Plated on Solder Area

Electrical Characteristics

Rated Current: 1.5A
 Rated Voltage: 125V DC
 Insulation Resistance:
 500 Megohms Min.
 Contact Resistance:
 20 milliohms Max.
 Dielectric Withstanding Voltage:
 1000V AC for 1 Minute

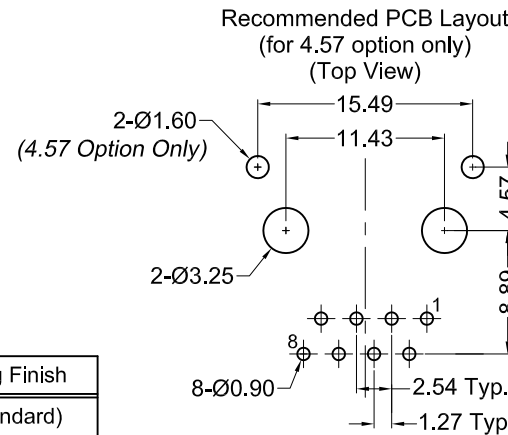
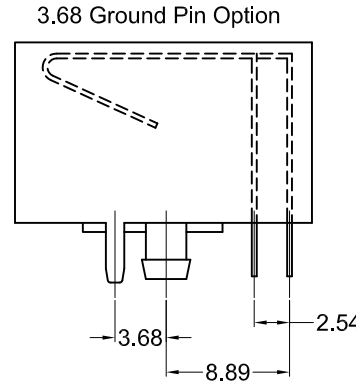
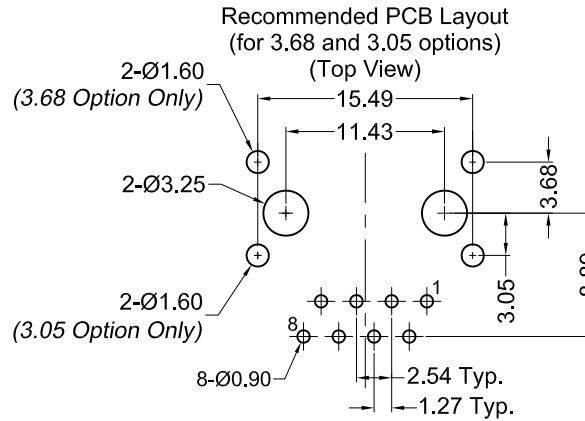
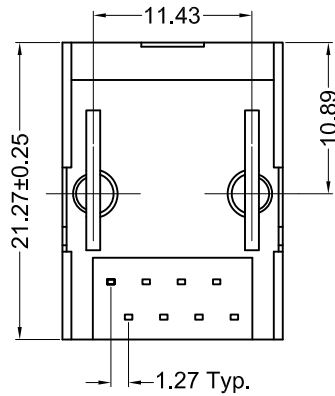
Mechanical Characteristics

Durability Rating:
 750 Mating Cycles Min.
 Operating Temperature:
 -40°C to +85°C

Electrical Performance

Category 5 100MHz Bandwidth Performance
 Performance meets near end crosstalk (NEXT)
 Requirements of -40dB @ 100MHz per
 EIA/TIA 568A in applications where UL
 Approved Category 5 cable (GA27-3773-1)
 is used

Shielded types offer 20dB shielding from
 30MHz to 300MHz



Part Number	Contact Plating Finish
GSX-NS-88-xxx	Gold Flash (standard)
GSX-NS-88-xxx-50	50u" Gold (-50 option)



Tolerances
X.X ± 0.35
X.XX ± 0.25
Unless Stated Otherwise

REV.	DATE	DESCRIPTION	REV. BY	CHK. BY	DRAWN BY	DATE
A2	3/6/08	ECO #08-030	R. Aguirre	H. MA	R. Aguirre	07/01/05
A3	05/13/10	ECO #10-025	S. Vien	H. MA		
A4	07/14/10	ECO #10-048	S. Vien	H. MA		
A5	07/06/12	ECO #12-039	S. Vien	P. DalCanto	UNITS	mm
A6	12/11/13	ECO #13-090	D. Gih	H. MA		
A7	07/24/15	ECO #15-001	H. MA	C. Furumasu		

GSX-NS-88-xxx

xxx = Ground pin option

Modular Jack, Rt. Ang., Shielded, RoHS Compliant

8 Position / 8 Contacts, 4 Sided Shield



X-ON Electronics

Largest Supplier of Electrical and Electronic Components

Click to view similar products for [Modular Connectors](#) / [Ethernet Connectors](#) category:

Click to view products by [Kycon](#) manufacturer:

Other Similar products are found below :

[8949-H88/06BLKA/SN](#) [74441-0010/BKN](#) [MP1010RX-1000](#) [MP44RX-1000](#) [PHJ-4P4C-1-V-4](#) [PHP-6P6C-5](#) [GAX-3-66](#) [GAX-8-62](#) [GDCX-PA-66-50](#) [GDCX-PN-64](#) [GDCX-PN-66](#) [GDCX-PN-66-50](#) [GDLX-A-66](#) [GDLX-N-66](#) [GDLX-S-66](#) [GDLX-S-88K](#) [GDTX-S-88-50](#) [GDX-PA-1010](#) [GLX-N-1010M-BLK](#) [GLX-S-88M-BLK](#) [GMX-N-1010](#) [GMX-S-1010](#) [GMX-S-66](#) [GMX-SMT4-N-88](#) [GPX-2-64](#) [GSGX-N-2-88](#) [GSGX-N-4-88](#) [GSX-NS2-88-3.05](#) [GSX-NS2-88-3.05-50](#) [GSX-NS-88-3.68](#) [PT-108A-8C-UL](#) [PT-J951-8C](#) [PTS-J531-8CS-50UL](#) [1-1775629-2](#) [A-2014-0-4](#) [GWLX-S-88-GR](#) [GWLX-S9-88-YG](#) [DC-1021-8-WH-6](#) [1300530003](#) [1324640-4](#) [RJ11FTVC2G](#) [RJ11FTVC2N](#) [RJFTVX2SA1G](#) [132764-001](#) [1413235](#) [MP88X-1000](#) [MPS88RX-5000](#) [MRJR-5481-0F2](#) [E5288-S000K3-L](#) [E5908-15A242-L](#)