



MODULAR JACKS AND PLUGS: GWLGX Series
Right Angle Ganged Jack with LED

Product Features

- Easy Viewing LEDs to Act as Power/Transmit Indicators
- Snap-In Retention Tabs
- Available Fully Shielded for EMI/RFI Protection
- CSA/NRTL Certified File No. LR78160

Performance Specifications

Materials and Finish

Housing Material
Thermoplastic, UL 94V-0 Rated, Black Color

Shield Material

Copper Alloy, Nickel Plated

Contact Material

Phosphor Bronze

Electrical Characteristics

Insulation Resistance

500 Megohms Min.

Contact Resistance

20 milliohms Max.

Current Rating

1.5A

Voltage Rating

125V DC

Operating Temperature

-40°C to +85°C

Durability Rating

500 Mating Cycles Min.

2D Drawing	IGES	STEP	3D PDF
Solder Profile	CofC RoHS Compliant	CofC REACH Compliant	UL Plastic File
Certificate of Origin	Check Stock	Request a Sample	Send Us An Email

Generated Part Number



Part Number Builder

Series - Shield Option - No. of Ports - No. of Positions & Contacts - LED Color Option

Series

GWLGX - Ganged Modular Jack with LED, Tab Up

Shield Option

S1 - Fully Shielded with Top and Side Grounding Tabs

Number of Ports

- 2 - 2 Port
- 4 - 4 Port
- 8 - 8 Port

Number of Positions/Contacts

88 - 8 Positions / 8 Contacts

LED Color

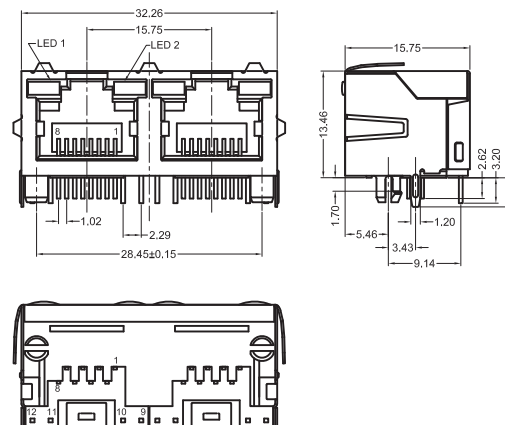
- G/G - Left: Green, Right: Green
- Y/G - Left: Yellow, Right: Green
- G/Y - Left: Green, Right: Yellow
- G/R - Left: Green, Right: Red
- R/G - Left: Red, Right: Green

Contact Kycon for Other Options

GWLGX Series

Dimensions in mm

GWLGX-S1288x-x



X-ON Electronics

Largest Supplier of Electrical and Electronic Components

Click to view similar products for [Modular Connectors](#) / [Ethernet Connectors](#) category:

Click to view products by [Kycon](#) manufacturer:

Other Similar products are found below :

[8949-H88/06BLKA/SN](#) [74441-0010/BKN](#) [MP1010RX-1000](#) [MP44RX-1000](#) [PHJ-4P4C-1-V-4](#) [PHP-6P6C-5](#) [GAX-3-66](#) [GAX-8-62](#) [GDCX-PA-66-50](#) [GDCX-PN-64](#) [GDCX-PN-66](#) [GDCX-PN-66-50](#) [GDLX-A-66](#) [GDLX-N-66](#) [GDLX-S-66](#) [GDLX-S-88K](#) [GDTX-S-88-50](#) [GDX-PA-1010](#) [GLX-N-1010M-BLK](#) [GLX-S-88M-BLK](#) [GMX-N-1010](#) [GMX-S-1010](#) [GMX-S-66](#) [GMX-SMT4-N-88](#) [GPX-2-64](#) [GSGX-N-2-88](#) [GSGX-N-4-88](#) [GSX-NS2-88-3.05](#) [GSX-NS2-88-3.05-50](#) [GSX-NS-88-3.68](#) [PT-108A-8C-UL](#) [PT-J951-8C](#) [PTS-J531-8CS-50UL](#) [1-1775629-2](#) [A-2014-0-4](#) [GWLX-S-88-GR](#) [GWLX-S9-88-YG](#) [DC-1021-8-WH-6](#) [1300530003](#) [1324640-4](#) [RJ11FTVC2G](#) [RJ11FTVC2N](#) [RJFTVX2SA1G](#) [132764-001](#) [1413235](#) [MP88X-1000](#) [MPS88RX-5000](#) [MRJR-5481-0F2](#) [E5288-S000K3-L](#) [E5908-15A242-L](#)