

## K86 Series High Density Vertical PCB Mount and Soldercup

### Ordering Information

K86	-	E		D	-	15		S	-	K	
Series		Shell Size		Contact Construction		Number of Contacts		Contact Type		Mounting Options	Plating Options

#### Series

K86-Kycon High Density D-Subminiature Connector, Solder Cup or Vertical PCB Termination

#### Shell Size

E-15 Contacts  
A-26 Contacts  
B-44 Contacts  
C-62 Contacts

#### Contact Construction

Designator	Contact Construction	Type of Termination
A	Precision Formed	Solder Cup
D	Precision Formed	Vertical Pin (PCB Mount)

#### Number of Contacts

15, 26, 44, 62

#### Contact Type

P-Pin Contact (Plug)  
S-Socket Contact (Receptacle)

#### Mounting Options

K-with Riveted Threaded (4-40) Bushings  
KJ-with Riveted Threaded (4-40) Bushings and (4-40) Hex Jack Screws Installed  
BR-with (4-40) Riveted Threaded Tin Plated Board Lock  
BRJ-with (4-40) Riveted Threaded Tin Plated Board Lock and (4-40) Hex Jack Screws Installed  
R-with Round Riveted Jack Screws

Hex Jack Screws JS-1055 Recommended for BR Option.  
(See page 38 for Dimensions.)

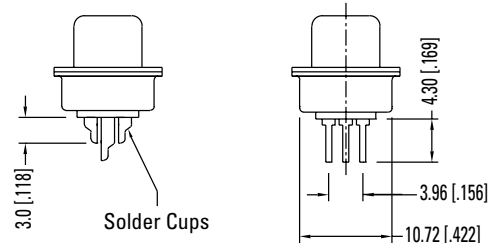
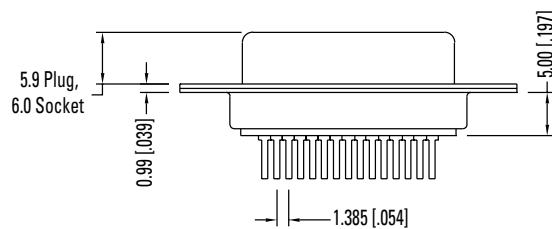
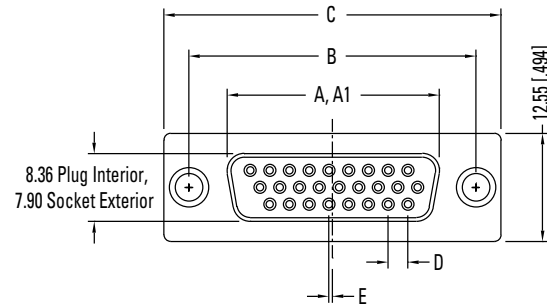
**Plating Options and Performance Specifications** (see page 4)

## D-SUBMINIATURE CONNECTORS

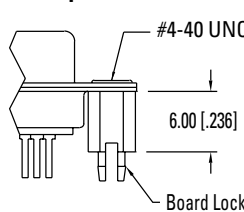
### K86 Series

### K86 Series Dimensions

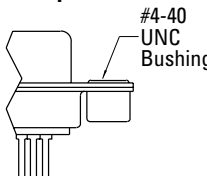
Dimensions in mm [In]



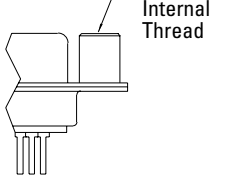
#### -BR Option



#### -K Option



#### -R Option



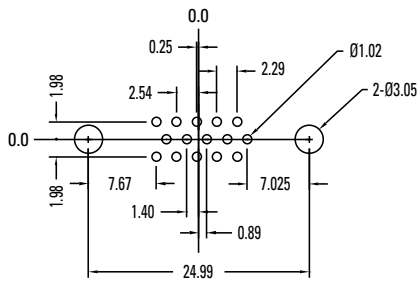
Number of Contacts (Shell Size)	Dimensions (Inch/mm)					
	A	A1	B	C	D	E
15 (E)	.643 16.33	.666 16.92	.984 24.99	1.213 30.81	.090 2.29	.010 0.25
26 (A)	.971 24.66	.994 25.25	1.312 33.32	1.541 39.14	.090 2.29	.020 0.51
44 (B)	1.511 38.38	1.534 38.96	1.852 47.04	2.088 53.04	.090 2.29	.020 0.51
62 (C)	2.159 54.84	2.182 55.42	2.500 63.50	2.729 69.32	.094 2.41	.023 0.58

**A = Exterior of Female Shell (S)**

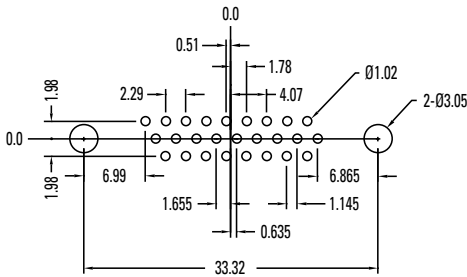
**A1 = Interior of Male Shell (P)**

**K86 Series Dimensions**

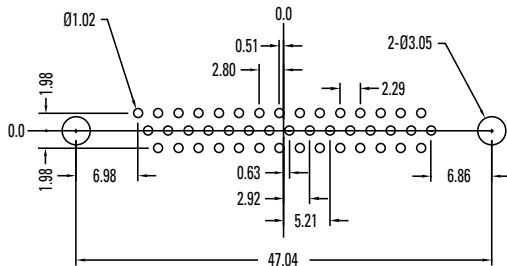
Dimensions in mm



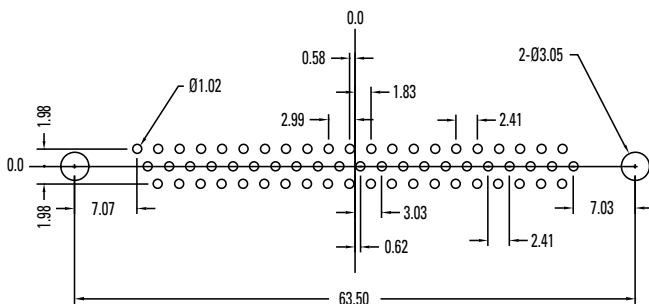
15 Position



26 Position



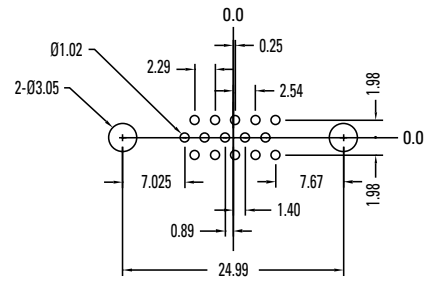
44 Position



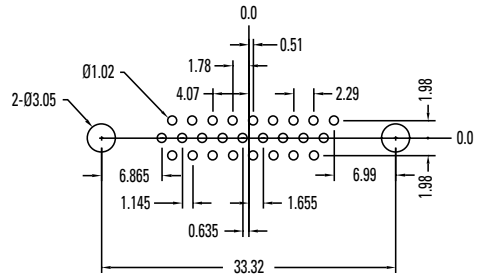
62 Position

(Socket Top View)

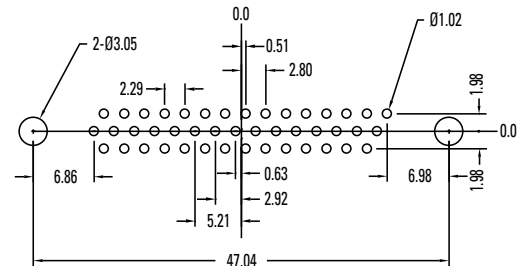
Recommended PCB Layouts



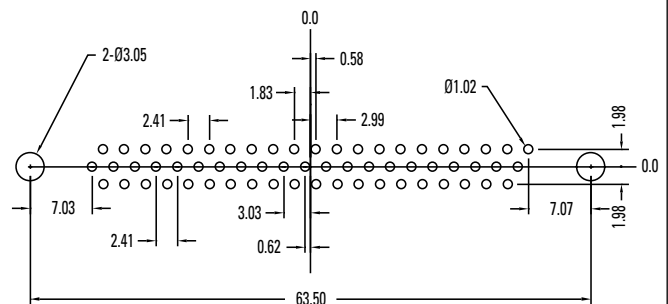
15 Position



26 Position



44 Position



62 Position

(Plug Top View)

Recommended PCB Layouts

*KYCON continues its leadership in D-Subminiature connectors by offering a complete line of sizes and options.*

**PC99 Colors Available:**

- HD15: Blue
- DB15: Gold
- DB25: Burgundy
- DB09: Teal



# D-SUBMINIATURE CONNECTORS

## Performance Specifications

### Materials and Finish

**Shell**

Steel Material, Tin Finish, and Indentations (Dimples) on Plug Only

**Insert**

Standard: PBT Thermoplastic, Black Color, 30% Glass Filled, 94V-0 Rated  
 Reflow Compatible: High Temperature Thermoplastic, Black Color, 30% Glass Filled, 94V-0 Rated

**Contact Material**

Pin: Brass .040 (1.02) Diameter Standard; .030 (0.76) Diameter High Density  
 Socket: Phosphor Bronze (Precision Formed Contact)  
 Brass (Precision Machined Contact)

**Contact Finish-Standard**

Gold Flash Over 0.0001 (0.00254) Nickel on Mating End of Contacts  
 Tin/Lead Over Nickel or Gold Flash Over Nickel on Solder Tails

**Riveted Insert**

Brass Material, Nickel Finish

### Mechanical Characteristics

**Contact Retention**

Precision Machined Contact 10 Lbs, Precision Formed Contact 10 Lbs

**Contact Extraction Force**

Typ. 4 Oz.

**Contact Insertion Force**

Typ. 9 Oz.

**Durability**

1,000 Insertion Cycles Min (With Standard Plating)

**Operating Temperature Rating**

-55°C to +125°C

### Electrical Characteristics

**Contact Current Rating**

Precision Machined Contact 7.6 Amps  
 Precision Formed Contact 5.0 Amps (Except K99 Series)

**Contact Resistance**

Precision Machined Contact 5 Milliohms Max  
 Precision Formed Contact 8 Milliohms Max

**Dielectric Withstanding Voltage**

1000 V AC Min for 1 Minute

**Insulation Resistance**

5000 Megohms Min

### Processing Characteristics

**Soldering Temperature Rating**

High Temperature Plastic: 230°C for 30 Seconds, 260°C for 10 Seconds

### Plating Options

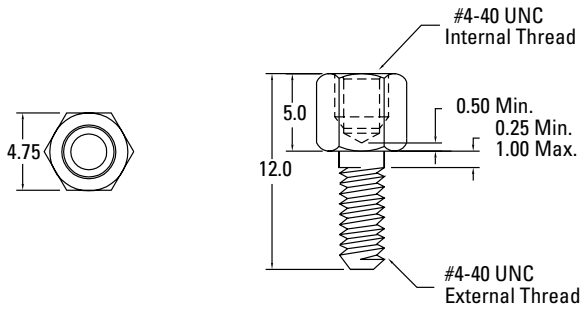
Designator	Plating Description
Standard	Gold Flash over Nickel on Contacts. Gold Flash over Nickel or Tin/Lead over Nickel on Solder Tails.
15	15µ" Gold over Nickel on Mating End of Contacts. Tin/Lead over Nickel on Solder Tails.
30	30µ" Gold over Nickel on Mating End of Contacts. Tin/Lead over Nickel on Solder Tails.

**D-Subminiature Hardware**

Dimensions in mm

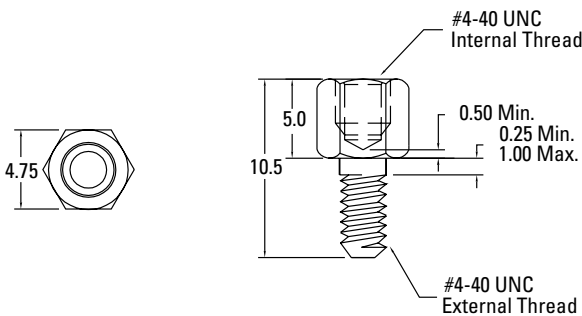
**JS-1000**

4-40 Female Hex. Jack Screw Bulk (500/Bag)



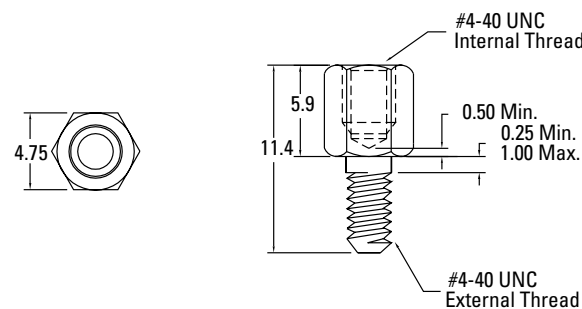
**JS-1055**

4-40 Female Hex. Jack Screw Bulk (500/Bag)



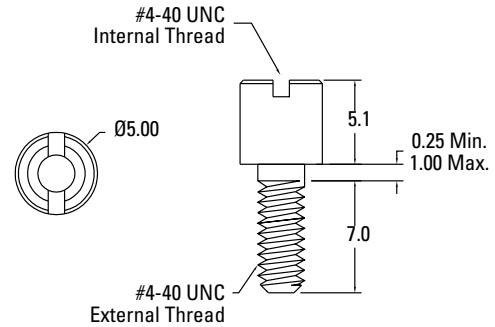
**JS-1055-5.9**

4-40 Female Hex. Jack Screw Bulk (500/Bag)



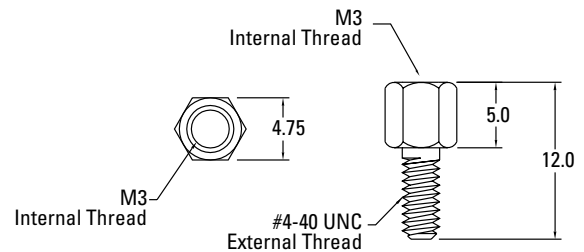
**JS-2000**

4-40 Female Round Jack Screw Slotted Bulk (500/Bag)



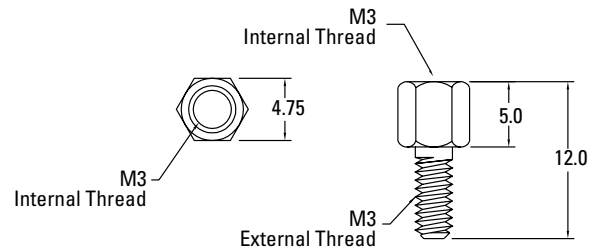
**JS-M3131**

4-40 External, M3 Metric Internal Thread Jack Screw Bulk (500/Bag)



**JS-M3131M**

M3 External, M3 Metric Internal Thread Jack Screw Bulk (500/Bag)



## X-ON Electronics

Largest Supplier of Electrical and Electronic Components

*Click to view similar products for [D-Sub High Density Connectors](#) category:*

*Click to view products by [Kycon](#) manufacturer:*

Other Similar products are found below :

[1484349-1](#) [163A16769X](#) [163A16809X](#) [163A17089X](#) [164A17199X](#) [164A17209X](#) [164A17479X](#) [164A18209X](#) [17BH-044S-AA110](#) [K86X-AD-26S](#) [KF66X-A26P-NJ](#) [KF66X-E15P-N](#) [241A17320X](#) [242A18390X](#) [242A25740X](#) [L717HDB44POL2R210](#) [L717HDCH62POL2RM5](#) [L717HDEH15POL2](#) [L777HDE15P](#) [L77HDC62S](#) [L77HDE15SC309](#) [163A16779X](#) [163A16839X](#) [163A17049X](#) [163A17079X](#) [164A17309X](#) [164A17329X](#) [164A18219X](#) [241A16440X](#) [241A16550X](#) [241A16680X](#) [241A17390X](#) [241A20810X](#) [241A25740X](#) [CT25-44P](#) [K66X-E15S-N30](#) [K86X-BA-44S](#) [K86X-ED-15S-BR15](#) [K86X-ED-15SK](#) [L177HDE15SOL2RM23](#) [L177HRC62S](#) [L177HRC62SVFM](#) [L177HRCG62S](#) [L717HDBH44POL2RM5](#) [L717HDEG15POL2RM5](#) [L77HDA26SVF](#) [L77HDE15SD1CO](#) [L77HDEH15SOL2RM832](#) [DAMA-15S-WS](#)  
[443895-3](#)