

## KCD Series - Circular Din Right Angle PCB Mount

### Features



- Audio, Video, Computer and Digital Equipment Applications
- Designed to Meet European DIN Standards
- Nickel Shells for Good Conductivity, Grounding and EMI/RFI Shielding
- Available in Reflow Compatible Design
- Visual and Mechanical Polarization for Plug Insertion
- Various Circuit Sizes
- CSA/NRTL Certified File No. LR78160

### Performance Specifications

#### Material Finish



#### Body

KCD - PBT Thermoplastic, Black Color, UL94V-0 Rated  
KCDHT - High Temperature Thermoplastic, Black Color, UL94V-0 Rated

#### Contact

KCD - Brass, Tin Plated  
KCDHT - Brass, Silver Plated

#### Shield

Copper Alloy, Nickel Plated

### Mechanical Characteristics

#### Insertion Force

0.5kg - 7.0kg

#### Extraction Force

0.4kg - 7.0kg

#### Durability

500 Cycles Minimum With Test Plug

## MINI-DINs / CIRCULAR DINs

### KCD Series

### Electrical Characteristics

#### Contact Current Rating

Rated Voltage and Current: 20V DC, 2.0 A

#### Insulation Resistance

100 Megohms Min. at 250V DC Before and After Test

#### Contact Resistance

Pin to Contact Resistance: 60 Milliohms Max.  
Plug Shield to Socket Resistance: 100 Milliohms Max.

#### Dielectric Withstanding Voltage

500V AC for 1 Minute

#### Operating Temperature

-25°C to +85°C

### Ordering Information

KCD	-	5	S	-	S
Series		Number of Contacts	Contact Type		Options

#### Series

KCD - Kycon Circular DIN Connectors,  
Right Angle PCB Mount, Receptacle  
KCDHT - Reflow Compatible Version

#### Number of Contacts

3, 5, 6, 7, 8

#### Contact Type

S - Receptacle

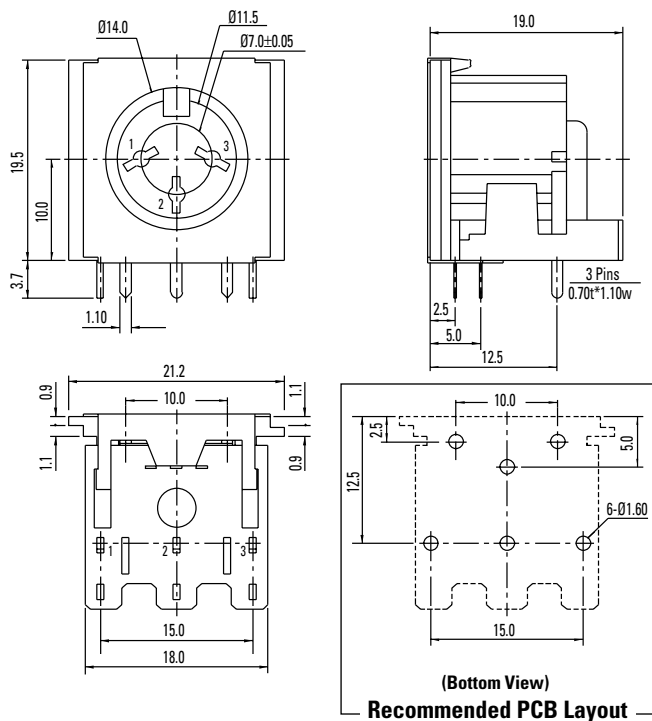
#### Options

N - Non-Shielded, 10mm Pitch  
N2 - Non-Shielded, 5mm Pitch  
S - Shielded, 10mm Pitch  
S2 - Shielded, 5mm Pitch  
S-PS - Shielded, 10mm Pitch, with Grounding Spring Shield  
S2-PS - Shielded, 5mm Pitch, with Grounding Spring Shield

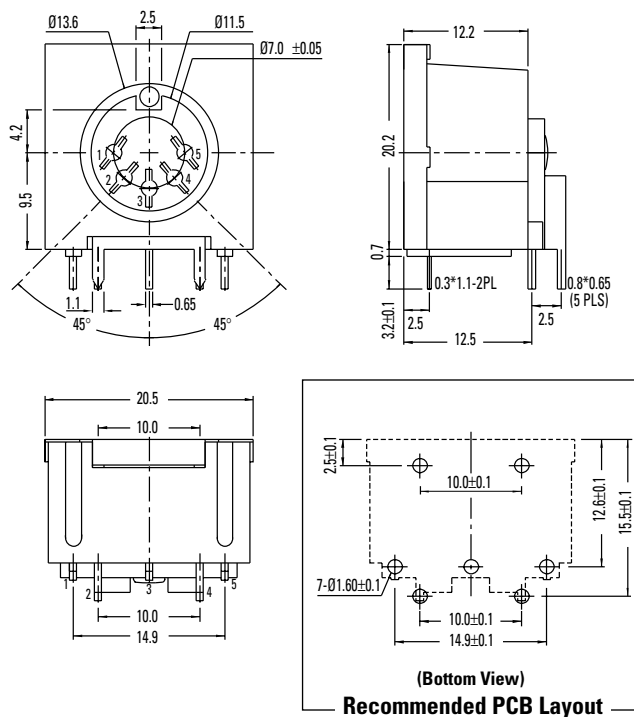
**KCD Series Dimensions\***

Dimensions in mm

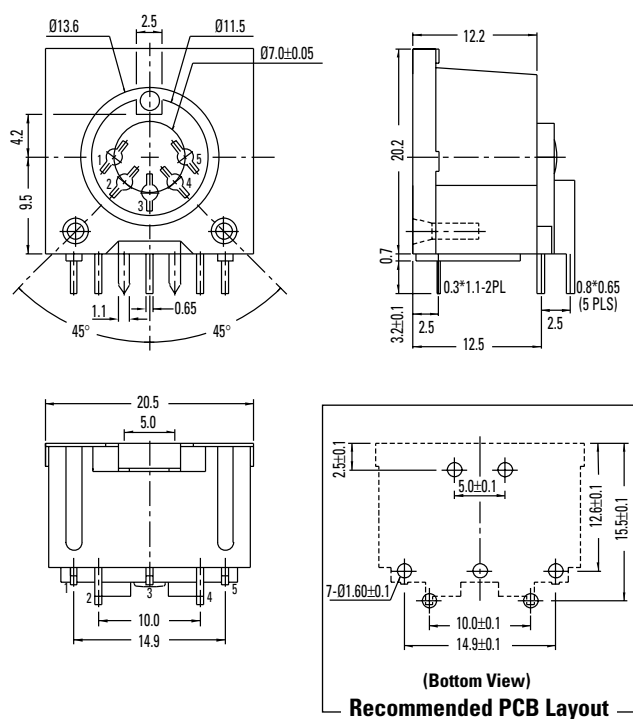
**KCD-3S-S**



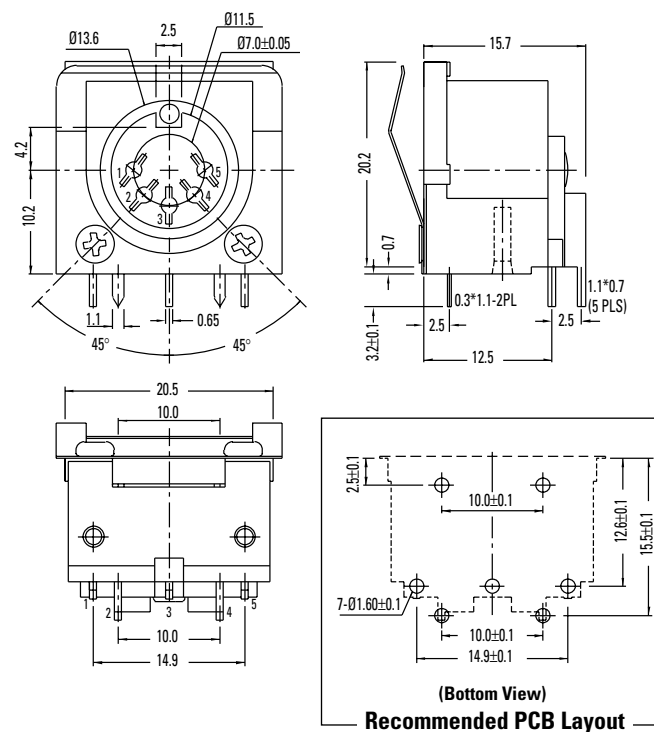
**KCD-5S-S**



**KCD-5S-S2**



**KCD-5S-S-PS**

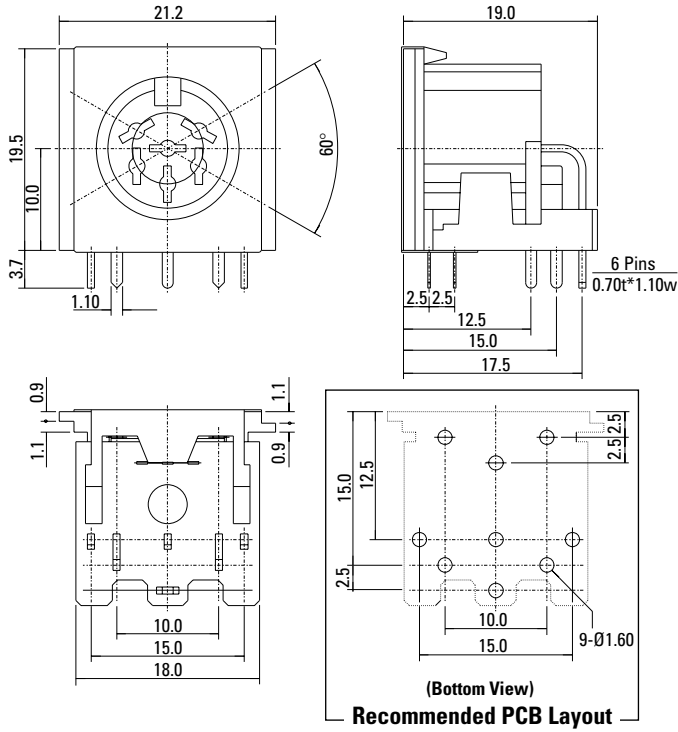


\* Contact factory for non-shielded specifications. 888-KYCON-22

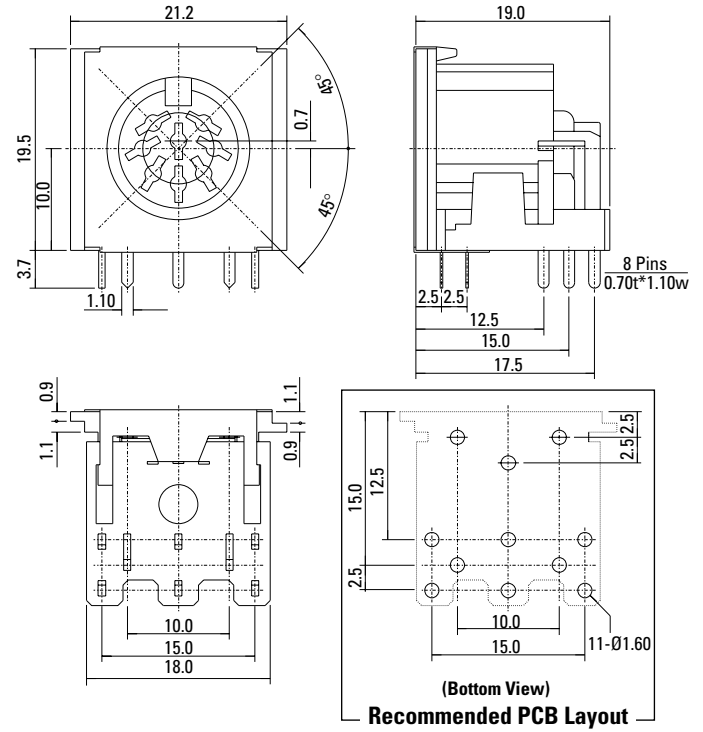
**KCD Series Dimensions\***

Dimensions in mm

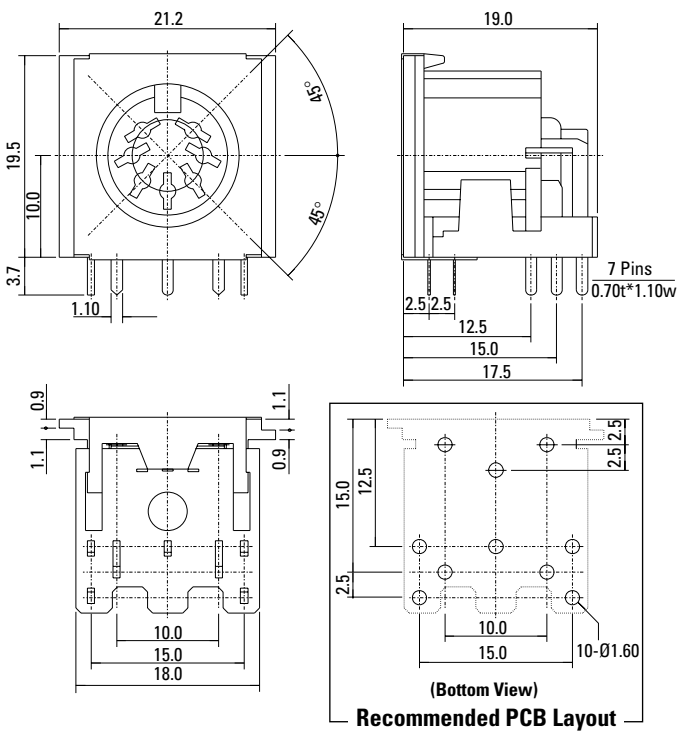
**KCD-6S-S**



**KCD-8S-S**



**KCD-7S-S**



\* Contact factory for non-shielded specifications. 888-KYCON-22

## X-ON Electronics

Largest Supplier of Electrical and Electronic Components

*Click to view similar products for [Circular DIN Connectors](#) category:*

*Click to view products by [Kycon](#) manufacturer:*

Other Similar products are found below :

[CTV06RQF-25-8SA-LC](#) [CTV06RQF-25-8S-LC](#) [CTV06RQW-25-8SB-LC](#) [CTV06RW-25-20P](#) [CTV06RW-25-20PA](#) [CTV06RW-25-20PB](#)  
[CTV06RW-25-20PE-LC](#) [CTV06RW-25-20SB](#) [CTV06RW-25-20SE](#) [CTV07RW-17-8S\(506\)](#) [CTVP00RW-19-32S\(506\)](#) [CTVP00RW-9-35S\(506\)](#) [M83723/71R20416](#) [M83723/71R22196](#) [M83723/71W2039N](#) [M83723/71W24196](#) [M83723/71W2419N](#) [M83723/72A1404N-LC](#)  
[M83723/72R1203N](#) [M83723/72W20418](#) [M83723/72W22126](#) [M83723/72W22556](#) [M83723/72W2419N](#) [M83723/72W2461N](#)  
[M83723/73R2028N](#) [M83723/73R2039N](#) [M83723/73W1412N](#) [M83723/73W2039N](#) [M83723/74R1624N](#) [M83723/74R1808N](#)  
[M83723/74R2212N](#) [M83723/74W1203N](#) [M83723/74W1412N](#) [M83723/74W20416](#) [M83723/74W2041N](#) [M83723/75R10058](#)  
[M83723/75W2232N](#) [M83723/76R14157](#) [M83723/76R20256](#) [M83723/76W1808N](#) [M83723/76W2016N](#) [M83723/76W2461N](#)  
[M83723/77W2016N](#) [M83723/78R22327](#) [M83723/78W2212N](#) [M83723/78W22556](#) [M85049/50-5F](#) [D38999/20FF11AC](#) [D38999/20FJ20BB](#)  
[D38999/20FJ20SC](#)