

HDMI^(TM): KDMIX Series
Vertical HDMI^(TM)

Product Features

- Metal Shields Provide Better ESD Protection
- Provides Low Impedance Mismatch
- 19 Position Receptacle
- Panel Mount Flange Option Adds Mechanical Stability and Provides Additional Grounding

Performance Specifications

Materials and Finish

Shell

Copper Alloy, Nickel Plated

Insulator

UL94V-0 Rated Thermoplastic, Color Black

Contacts

Copper Alloy

Plating

Gold Flash

Mechanical Characteristics

Insertion Force

44.1N Max.

Extraction Force

9.8N Min., 39.2N Max.

Durability

10K Mating Cycles

Electrical Characteristics

Rated Voltage

40V AC (RMS)

Rated Current

0.5Amps Min.

Contact Resistance

10 milliohms Max.

Insulation Resistance

10 Megohms Min. (mated)

100 Megohms Min. (unmated)

Dielectric Withstanding

500V AC (unmated)

300V AC (mated)

Operating Temperature

-25°C to +85°C

2D Drawing	IGES	STEP	3D PDF
Solder Profile	CofC RoHS Compliant	CofC REACH Compliant	UL Plastic File
Certificate of Origin	Check Stock	Request a Sample	Send Us An Email

Generated Part Number

Part Number Builder

<input type="text"/>	-	<input type="text"/>	<input type="text"/>	<input type="text"/>	<input type="text"/>
Series		Shield Option	Top Spring	Insulator Option	Plating Option

Series

KDMIX - Vertical HDMI^(TM)

Shield Option

FS1V - Vertical SMT Shield Tabs, Flange

Top Spring

WS - With Top Spring

Insulator Option

B - Black

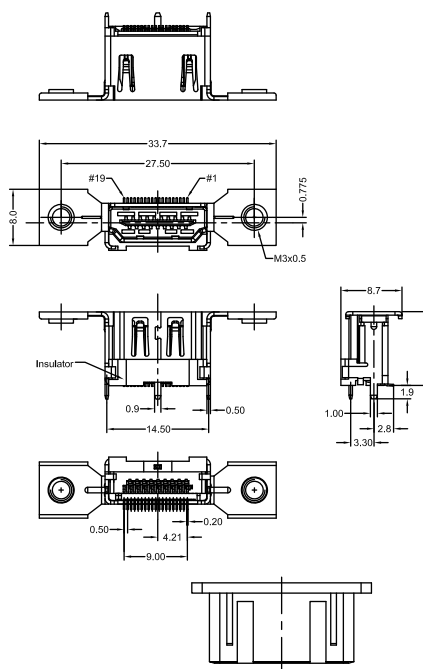
Plating Option

Blank - Gold Flash

Contact Kycon for Other Options

KDMIX-FS1V-WS-B

Dimensions in mm



Dust Cap Comes Installed

X-ON Electronics

Largest Supplier of Electrical and Electronic Components

Click to view similar products for [HDMI, Displayport & DVI Connectors](#) category:

Click to view products by [Kycon](#) manufacturer:

Other Similar products are found below :

[1775247-3](#) [2-1932649-5](#) [30-1231](#) [30-528](#) [2069485-1](#) [30-504](#) [30-519](#) [30-542](#) [47648-2000](#) [2002-400](#) [TC142X](#) [769-103/021-000](#) [1932649-1](#)
[233-368NFG6-17NH](#) [PJ-210A](#) [PJ-35825](#) [6321-026RDS1MWA02](#) [DV11201-H5R6-4F](#) [RPI-16337](#) [CC-MDPM-VGAM-6](#) [RPI-16338](#) [CCB-](#)
[HDMIL-1.5M](#) [CCB-HDMIL-1M](#) [CCB-HDMIL-2M](#) [CCB-HDMIL-3M](#) [CCB-HDMIL-5M](#) [CCB-HDMIL-7.5M](#) [CCBP-HDMI-10M](#) [CCBP-](#)
[HDMI-1M](#) [CCBP-HDMI-2M](#) [CCBP-HDMI-3M](#) [CCBP-HDMI-5M](#) [CCBP-HDMI-7.5M](#) [CCBP-HDMI8K-1M](#) [CCBP-HDMI8K-2M](#) [CCBP-](#)
[HDMI8K-3M](#) [AK-AV-02](#) [AK-AV-03](#) [AK-AV-05](#) [AK-AV-11](#) [AK-AV-13](#) [AK-AV-15](#) [CCP-MDP2-6](#) [CCP-MDPMDP2-6](#) [AK-HD-05A](#) [AK-](#)
[HD-100A](#) [AK-HD-100P](#) [AK-HD-15A](#) [AK-HD-15P](#) [AK-HD-15R](#)