



## HDMI<sup>(TM)</sup>: KDMIX Series

HDMI<sup>(TM)</sup> SMT and Through Hole Shield Flange  
With/Without Top Spring

### Product Features

- Metal Shields Provide Better ESD Protection
- Provides Low Impedance Mismatch
- 19 Position Receptacle
- Panel Mount Flange Option Adds Mechanical Stability and Provides Additional Grounding

### Performance Specifications

#### Materials and Finish

##### Shell

Copper Alloy, Nickel Plated

##### Insulator

UL94V-0 Rated Thermoplastic, Color Black

##### Contacts

Copper Alloy

##### Plating

Standard: 30µ" Gold Plated over Nickel

### Mechanical Characteristics

#### Insertion Force

44.1N Max.

#### Extraction Force

9.8N Min., 39.2N Max.

#### Durability

10K Mating Cycles

### Electrical Characteristics

#### Rated Voltage

40V AC (RMS)

#### Rated Current

0.5Amps Min.

#### Contact Resistance

10 milliohms Max.

#### Insulation Resistance

10 Megohms Min. (mated)

100 Megohms Min. (unmated)

#### Dielectric Withstanding

300V AC (mated)

500V AC (unmated)

#### Operating Temperature

-25°C to +85°C

2D Drawing	IGES	STEP	3D PDF
Solder Profile	CofC RoHS Compliant	CofC REACH Compliant	UL Plastic File
Certificate of Origin	Check Stock	Request a Sample	Send Us An Email

### Generated Part Number

### Part Number Builder

<input type="text"/>	-	<input type="text"/>	<input type="text"/>	<input type="text"/>	<input type="text"/>
Series		Shield Option	Top Spring	Insulator Option	Plating Option

#### Series

KDMIX - HDMI<sup>(TM)</sup>

#### Shield Option

FS1 - SMT Shield Tabs, Flange

FS2 - Through Hole Shield Tabs, Flange

Different Length for Front and Back Tabs

#### Top Spring

NS - Without Top Spring

WS - With Top Spring (Not Available with FS1 Option)

#### Insulator Option

B - Black

#### Plating Option

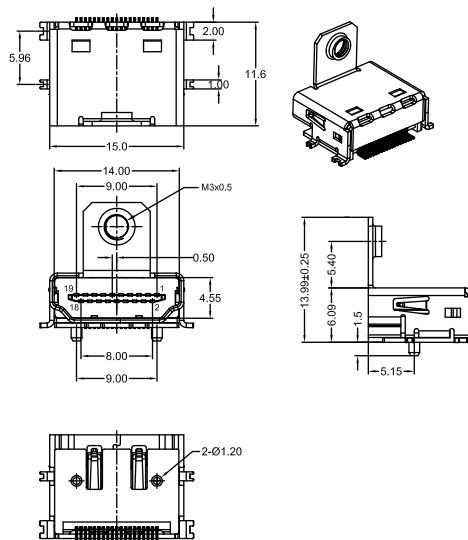
Blank - Gold Flash

Contact Kycon for Other Options

### KDMIX-FS

Dimensions in mm

### KDMIX-FS1-NS-B



## X-ON Electronics

Largest Supplier of Electrical and Electronic Components

*Click to view similar products for [HDMI, Displayport & DVI Connectors](#) category:*

*Click to view products by [Kycon](#) manufacturer:*

Other Similar products are found below :

[1775247-3](#) [2-1932649-5](#) [30-1231](#) [30-528](#) [2069485-1](#) [30-504](#) [30-519](#) [30-542](#) [47648-2000](#) [2002-400](#) [TC142X](#) [769-103/021-000](#) [1932649-1](#)  
[233-368NFG6-17NH](#) [PJ-210A](#) [PJ-35825](#) [6321-026RDS1MWA02](#) [DV11201-H5R6-4F](#) [RPI-16337](#) [CC-MDPM-VGAM-6](#) [RPI-16338](#) [CCB-](#)  
[HDMIL-1.5M](#) [CCB-HDMIL-1M](#) [CCB-HDMIL-2M](#) [CCB-HDMIL-3M](#) [CCB-HDMIL-5M](#) [CCB-HDMIL-7.5M](#) [CCBP-HDMI-10M](#) [CCBP-](#)  
[HDMI-1M](#) [CCBP-HDMI-2M](#) [CCBP-HDMI-3M](#) [CCBP-HDMI-5M](#) [CCBP-HDMI-7.5M](#) [CCBP-HDMI8K-1M](#) [CCBP-HDMI8K-2M](#) [CCBP-](#)  
[HDMI8K-3M](#) [AK-AV-02](#) [AK-AV-03](#) [AK-AV-05](#) [AK-AV-11](#) [AK-AV-13](#) [AK-AV-15](#) [CCP-MDP2-6](#) [CCP-MDPMDP2-6](#) [AK-HD-05A](#) [AK-](#)  
[HD-100A](#) [AK-HD-100P](#) [AK-HD-15A](#) [AK-HD-15P](#) [AK-HD-15R](#)