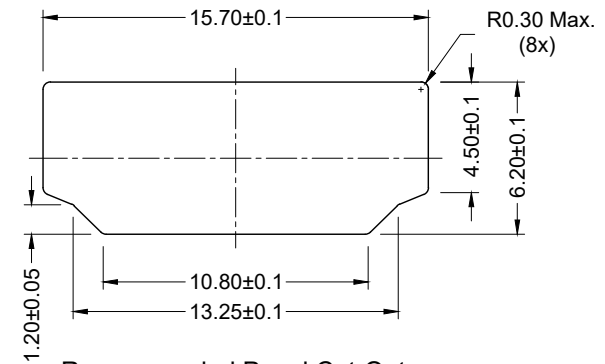
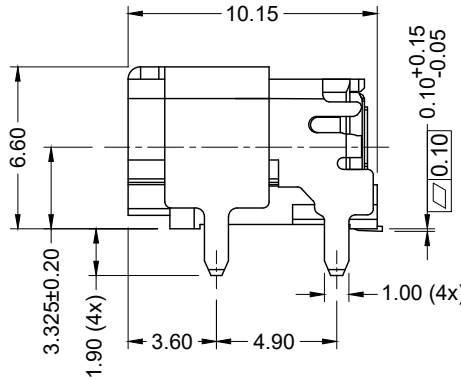
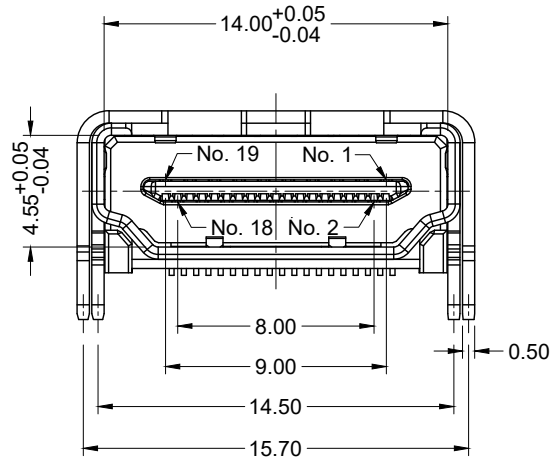


Recommended PCB Layout



Recommended Panel Cut-Out

Material and Finish

Housing: High Temp. Thermoplastic, UL94V-0 Rated, Color: Black
 Shield: Brass, Nickel Plated
 Contacts: Copper Alloy
 Contact Plating: 15u" Gold in Contact Area, Gold Flash in Solder Area, Over Nickel Underplate

Electrical Characteristics

Insulation Resistance: 100 Mohms Min.
 Dielectric Withstanding Voltage: 500V AC RMS for 1 Minute.
 Contact Current Rating: 0.5A Min.
 Contact Resistance: 30 Milliohms Max.

Mechanical Characteristics

Durability: 10,000 Cycles
 Insertion Force: 44.1N Max.
 Withdrawal Force (Initial): 39.2N Max., 9.8N Min.
 Operating Temperature: -25°C to +85°C

Tolerances

X.X ± 0.25
 X.XX ± 0.15
 Unless Stated Otherwise

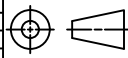


REV.	DATE	DESCRIPTION	REV. BY	CHK. BY	DRAWN BY	DATE
A0.1	06/08/20	New Drawing	C. Kelleher	D. Shehan	C. Kelleher	06/05/20
A1	12/10/20	Release Drawing	C. Kelleher	D. Shehan		

KDMIX-NS2-NS-B15TR-2.1

HDMI, Hi Temp, SMT, No Flange, TH Shield,

15u" Gold, T&R, HDMI 2.1 Compliant, RoHS Compliant.



X-ON Electronics

Largest Supplier of Electrical and Electronic Components

Click to view similar products for [HDMI, Displayport & DVI Connectors](#) category:

Click to view products by [Kycon](#) manufacturer:

Other Similar products are found below :

[1775247-3](#) [2-1932649-5](#) [30-1231](#) [30-528](#) [2069485-1](#) [30-504](#) [30-519](#) [30-542](#) [47648-2000](#) [2002-400](#) [TC142X](#) [769-103/021-000](#) [1932649-1](#)
[233-368NFG6-17NH](#) [PJ-210A](#) [PJ-35825](#) [6321-026RDS1MWA02](#) [DV11201-H5R6-4F](#) [RPI-16337](#) [CC-MDPM-VGAM-6](#) [RPI-16338](#) [CCB-](#)
[HDMIL-1.5M](#) [CCB-HDMIL-1M](#) [CCB-HDMIL-2M](#) [CCB-HDMIL-3M](#) [CCB-HDMIL-5M](#) [CCB-HDMIL-7.5M](#) [CCBP-HDMI-10M](#) [CCBP-](#)
[HDMI-1M](#) [CCBP-HDMI-2M](#) [CCBP-HDMI-3M](#) [CCBP-HDMI-5M](#) [CCBP-HDMI-7.5M](#) [CCBP-HDMI8K-1M](#) [CCBP-HDMI8K-2M](#) [CCBP-](#)
[HDMI8K-3M](#) [AK-AV-02](#) [AK-AV-03](#) [AK-AV-05](#) [AK-AV-11](#) [AK-AV-13](#) [AK-AV-15](#) [CCP-MDP2-6](#) [CCP-MDPMDP2-6](#) [AK-HD-05A](#) [AK-](#)
[HD-100A](#) [AK-HD-100P](#) [AK-HD-15A](#) [AK-HD-15P](#) [AK-HD-15R](#)