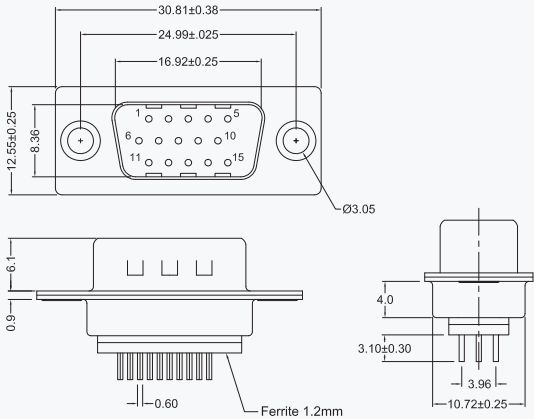




**D-SUBMINIATURE CONNECTORS:**  
**KF86X Series**  
 Vertical PCB Mount High Density with Ferrite

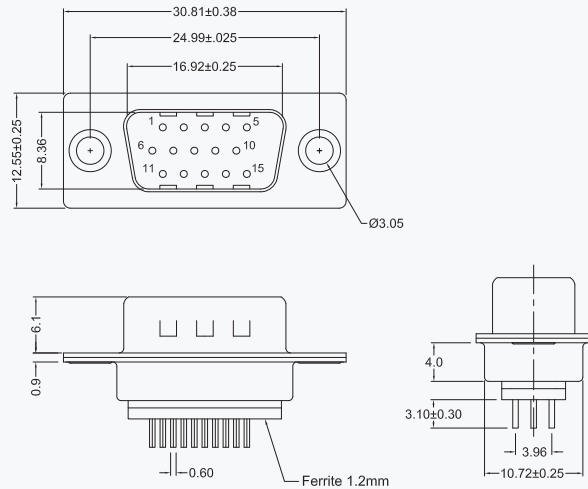
**KF86X-ED-15S Dimensions**

Dimensions in mm



**KF86X-ED-15P Dimensions**

Dimensions in mm



2D Drawing	IGES	STEP	3D PDF
Solder Profile	CofC RoHS Compliant	CofC REACH Compliant	UL Plastic File
Certificate of Origin	Check Stock	Request a Sample	Send Us An Email

Generated Part Number

Part Number Builder

<input type="text"/>	-	<input type="text"/>	<input type="text"/>	<input type="text"/>	<input type="text"/>	<input type="text"/>
Series		Shell Type	Pin Type	Contact Option	Contact Type	Mounting Option Plating Option

**Series**

KF86X - D-Subminiature Vertical Connector

**Contact Shell Size**

E - 15 Contacts

**Contact Construction, Pin Type**

D - Precision Formed

**Contact Type**

P - Pin Contact (Plug)

S - Socket Contact (Receptacle)

**Mounting Option**

Blank - Through Hole

BR - With #4-40 Tin Plated 7.00mm Long Boardlocks

BRJ - With #4-40 Tin Plated 7.00mm Long Boardlocks and #4-40 Jackscrews

K - With #4-40 Bushings

KJ - With #4-40 Bushings and #4-40 Jackscrews

**Plating Option**

Blank - Gold Flash

30 - 30µ" Gold

Contact Kycon for Other Options

**Ferrite Specifications**

Test Frequency	Outer Row	Inner Row
30 Mhz	10-14 Ohms	13-17 Ohms
50 Mhz	12-18 Ohms	15-19 Ohms
100 Mhz	15-20 Ohms	19-24 Ohms

## X-ON Electronics

Largest Supplier of Electrical and Electronic Components

*Click to view similar products for [D-Sub High Density Connectors](#) category:*

*Click to view products by [Kycon](#) manufacturer:*

Other Similar products are found below :

[97-3250-11](#) [163A16809X](#) [163A17089X](#) [164A17199X](#) [242A25680X](#) [L717HDB44POL2R210](#) [L717HDEH15POL2](#) [L777HDE15P](#)  
[L77HDE15SC309](#) [163A16759X](#) [163A16839X](#) [163A16989X](#) [163A17079X](#) [164A17329X](#) [164A18219X](#) [241A16440X](#) [241A16550X](#)  
[241A16680X](#) [241A20810X](#) [241A25740X](#) [CT25-44P](#) [MDBE15PE766](#) [L177HDE15SOL2RM23](#) [L177HRC62S](#) [L177HRC62SVFM](#)  
[L177HRCG62S](#) [L717HDEG15POL2RM5](#) [L77HDA26SVF](#) [L77HDE15SD1CO](#) [L77HDEH15SOL2RM832](#) [443895-3](#) [106698-1](#) [280-012K2C](#)  
[DBMV13H3SNA197](#) [L177HRB44S](#) [164A17039X](#) [09562004701510](#) [241A17960X](#) [164A18269X](#) [280-019S1S9MEN](#) [L777HDEG15P](#) [280-](#)  
[018P3S25MEGN](#) [206504-2](#) [40-9515HDSP](#) [2057140-1](#) [C115370-6002](#) [DFMA104SNMBFR172FR022](#) [HDC9F200E2S](#)  
[L717HDAG26POL2RM8](#) [241A28180X](#)