

**KFWSX Series
Right Angle
Surface Mount
IEEE 1394 Socket**

Features



- Supports Hot Plugging
- Rated 400 Mbps
- Surface Mount Technology for Electrical Connections
- Lead Plated Solder Tails for Excellent Solderability
- Contact Area with Gold Plating
- CSA/NRTL Certified File No. LR78160

Performance Specifications

Materials and Finish

Shell: Copper Alloy, Nickel Plating
 Insulator: High Temperature Thermoplastic, UL94V-0 Rated
 Contacts: Copper Alloy
 Plating: Standard - 30µ" Gold over Nickel on Contact Area
 Tin Over Nickel on Soldertails



Mechanical Characteristics

Durability: 1500 Cycles Min.
 Insertion Force: 3.6kg Max.
 Extraction Force: 1.0kg Min.

Electrical Characteristics

Voltage Rating: 30V AC
 Contact Current Rating: 1 Amp DC Max. Per Contact Not To Exceed 30°C Temp. Rise
 Dielectric Withstanding Voltage: 750 V AC for 1 Minute
 Capacitance: 2pF Max.
 Contact Resistance: Less Than 30 Milliohms per Contact Pair After 1500 Mating Cycles
 Insulation Resistance: Greater than 100 Megohms
 Operating Temperature: 55°C to +85°C

IEEE 1394 CONNECTORS

KFWSX - SMT Series

Ordering Information

KFWSX	-	SMT-100	W	-	30
Series		Style	Color		Plating Option

Series
KFWSX - Single IEEE 1394 Socket

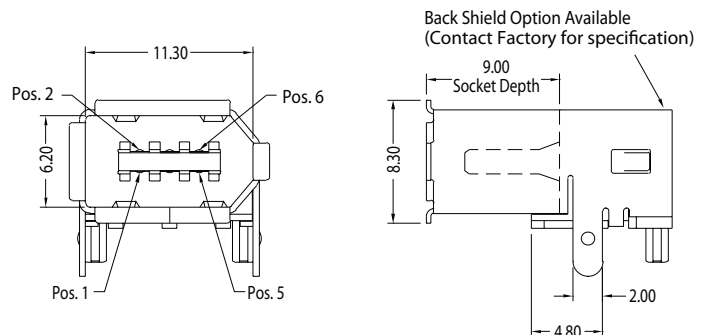
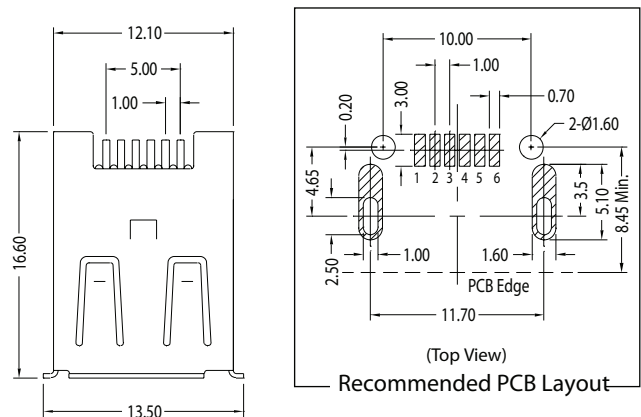
Style
SMT-100 - Right Angle Surface Mount

Color
W - White
B - Black

Plating
30 - 30µ" Gold Plating

KFWSX-SMT Series Dimensions

Dimensions in mm



X-ON Electronics

Largest Supplier of Electrical and Electronic Components

Click to view similar products for [IEEE 1394 Connectors](#) category:

Click to view products by [Kycon](#) manufacturer:

Other Similar products are found below :

[EHFF2](#) [PX0485/BK](#) [EHFF2B](#) [EHFWX2BX](#) [3E106-2230KV](#) [53460-0619](#) [3E106-0220KV](#) [1734290-2](#) [53460-0629](#) [53462-0629](#) [NA1394-6-W](#) [5788516-1](#) [3E306-3200-008](#) [FWF21NSCC](#) [FWFODE](#) [FWFTV22G](#) [FWFTVC2G](#) [FWFTVC2N](#) [JE14](#) [JE18](#) [PX0480/BK](#) [928](#) [929](#) [930](#)
[NA1394-6-W-B](#) [EHFW800X2](#) [5787956-1](#) [PX0419](#) [PX0847](#) [693-006-699-003](#) [45740-0001](#) [53460-0639](#) [53462-0001](#) [53984-0681](#)
[EHFW800X2B](#) [EHFW800X2PKG](#) [1734290-1](#)