

Material and Finish

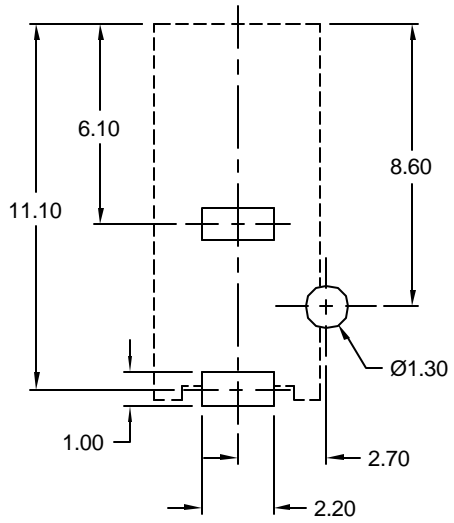
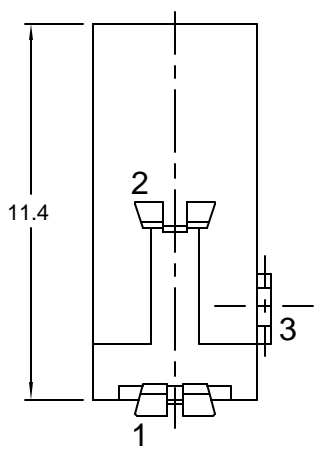
Body: PBT UL 94V-0 Rated
 Black Color
 Center Pin: Copper Alloy, Nickel Plated
 Pins 1 and 3: Brass, Tin Plated
 Pin 2: Phosphor Bronze, Tin Plated
 Insulator Material Color: Black

Electrical Characteristics

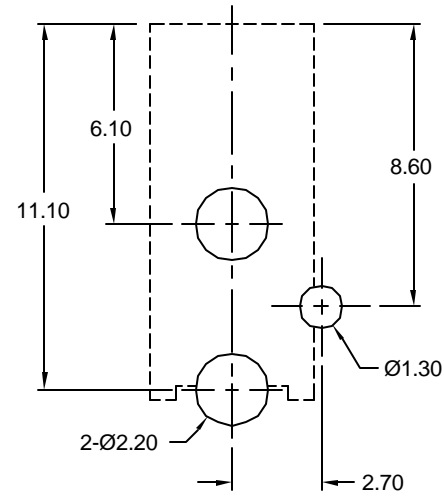
Contact Resistance
 Before Durability Test
 Between Terminals: 30 milliohms Max.
 Plug to Contacts: 50 milliohms Max.
 After Durability Test:
 Between Terminals: 60 milliohms Max.
 Plug to Contacts: 100 milliohms Max.
 Rated Voltage: 24V DC
 Rated Current: 2.5 amps
 Insulation Resistance: 100 Megohms Min.
 at 500V DC

Mechanical Characteristics

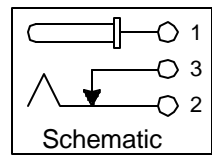
Durability Test: 5000 cycles
 Insertion Force: 0.3kg-2.0kg
 Extraction Force: 0.3kg-2.0kg
 Operating Temp: -25°C to +85°C



**PCB LAYOUT
 Recommended
 (Bottom View)**



**PCB LAYOUT
 Alternate
 (Bottom View)**



Part Number	Center Pin Diameter
KLD-0201-AC	Ø1.00±0.05
KLD-0201-BC	Ø1.30±0.05

Tolerances
X.X ± 0.30
X.XX ± 0.15
Unless Stated Otherwise

CSA NRTL/C Certified File No. LR78160

REVISION	DATE	DESCRIPTION	DRAWN BY	REV CHECK BY	UNITS
B6	8/16/02	REF ECD 02-099	C. Leiva	C. Furumasa	mm
B7	1/11/05	ECD#04-073	REVISED BY	REV CHECK DATE	DATE
B8	5/17/05	ECD#05-021	H. MA	5/16/05	5/19/97

KLD-0201-xC
 x = center post dia. option

Mini DC Power Jack
 1.3mm pin, Crimped Leads



X-ON Electronics

Largest Supplier of Electrical and Electronic Components

Click to view similar products for [DC Power Connectors](#) category:

Click to view products by [Kycon](#) manufacturer:

Other Similar products are found below :

[1600206-1](#) [163-0301-EX](#) [163-0302](#) [163-0308-EX](#) [163-0310-EX](#) [163-1061-EX](#) [163-1100-EX](#) [163-4024](#) [163-4117-EX](#) [163-4118-EX](#) [163-5005-E](#) [163-7421](#) [163-MJ22-EX](#) [171-0721-EX](#) [171-0725-EX](#) [171-3118-EX](#) [171-3210-E](#) [171-3221-EX](#) [171-3222-EX](#) [171-A1326-EX](#) [173-23507-ST-EX](#) [173-5521TIP-EX](#) [173-6330TIP-EX](#) [KLDVX-SMT-02-ATR](#) [KLDX-0201-AHT-1](#) [KLDX-0202-AHT](#) [KLDX-SMT-0202-BP](#) [KLDX-SMT-0202-BPTR](#) [163-0179-EX](#) [163-0307-E](#) [163-0309-EX](#) [163-4007-EX](#) [163-4015-EX](#) [163-4025](#) [163-4119-E](#) [163-4303-E](#) [16PJ101-EX](#) [171-0702-EX](#) [171-0722-E](#) [171-0726-EX](#) [171-2122-EX](#) [171-3216-EX](#) [171-3218-EX](#) [171-3219-EX](#) [171-3220-EX](#) [171-7391](#) [173-3413-ST-EX](#) [173-4017-ST-EX](#) [RAPCBRK](#) [K596](#)