

DC POWER CONNECTORS: KLDHCX Series High Current Thru-hole Power Jack

Product Features

2.0mm and 2.5mm.
Laptop and Palm Computers, Portable Modems, Radar Detectors, and Other Portable Device Applications.
CSA/NRTL Certified File No. LR78160.

Performance Specifications

Materials and Finish

Housing: PBT Thermoplastic, UL94V-0 Rated, Black Color

Contact Materials

Center Pin: Copper, Nickel Plated

Contact #1: Brass, Silver Plated over Nickel Underplate

Contact #2: Copper Alloy, Silver Plated over Nickel Underplate

Spring: Copper Alloy, Silver Plated over Nickel Underplate

Shield: Brass, Nickel Plated

Electrical Characteristics

Rated Current: 8A

Rated Voltage: 24V DC

Insulation Resistance: 100 Megohms Min. at 500V DC

Contact Resistance: 30 milliohms Max.

Dielectric Withstanding Voltage: 500V for 1 Minute

Mechanical Characteristics

Insertion Force: 0.3kg - 3.0kg

Withdrawal Force: 0.3kg - 3.0kg

Durability: 5000 Mating Cycles Min.

Operating Temperature: -25°C to +85°C

2D Drawing	IGES	STEP	3D PDF
Solder Profile	CofC RoHS Compliant	CofC REACH Compliant	UL Plastic File
Certificate of Origin	Check Stock	Request a Sample	Send Us An Email

Generated Part Number

Part Number Builder



Series

KLDHCX-8-0202 - High Current Thru-hole DC Power Jack

Diameter

A - 2.0mm Center Pin Diameter

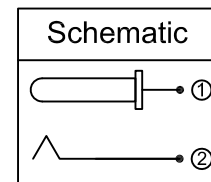
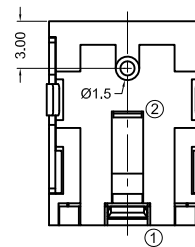
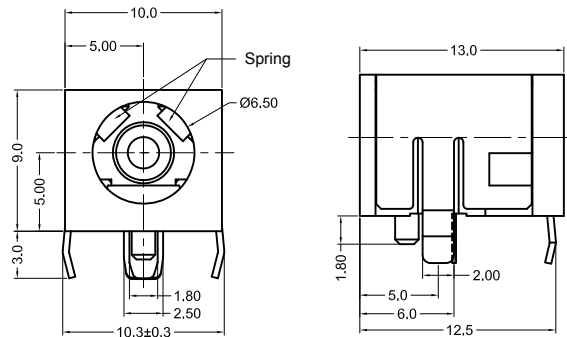
B - 2.5mm Center Pin Diameter

Contact Kycon For Other Option

KLDHCX-8-0202 Series

Dimensions in mm

KLDHCX-8-0202-x



X-ON Electronics

Largest Supplier of Electrical and Electronic Components

Click to view similar products for [DC Power Connectors](#) category:

Click to view products by [Kycon](#) manufacturer:

Other Similar products are found below :

[RAPC3FG](#) [B04P-VL-VN-1.8](#) [1600206-1](#) [163-0302](#) [163-0310-EX](#) [163-4024](#) [163-4117-EX](#) [163-5005-E](#) [163-7421](#) [171-0721-EX](#) [171-3118-EX](#) [173-23507-ST-EX](#) [KLDVX-SMT-02-ATR](#) [KLDX-SMT-0202-BP](#) [KLDX-SMT-0202-BPTR](#) [163-0179-EX](#) [163-0307-E](#) [163-4119-E](#) [171-0722-E](#) [171-3218-EX](#) [171-7391](#) [173-3413-ST-EX](#) [RAPCBRK](#) [K596](#) [KLD-0201-BC](#) [KPPX-D](#) [TPCF-140-01-L-Q-4-RA](#) [RAPC3MHG](#) [RASM752TRX](#) [163-4800-E](#) [4C6831AX](#) [TS3PNJ](#) [DC-025LM-5A-2.5](#) [CL14218R](#) [AS250F RED](#) [DC-105-4A-1.6](#) [09441](#) [AS120-F](#) [09442](#) [AS120-M](#) [CP30240](#) [TAMIYA-M](#) [TAMIYA-MT1](#) [TAMIYA-MT2](#) [4840.1200](#) [4840.2202](#) [C5080HI-04P-18 + C5080HI-C](#) [JC-135](#) [JC-138](#) [JPO-25 \(FC6814\)](#) [JYO-26 \(FC6811\)](#) [KLBR 4](#)