



## DC POWER CONNECTORS: KLDVX-SMT Series

Vertical Surface Mount DC Power Jack

### Product Features

2.0mm and 2.5mm

Mounts Perpendicular to PCB

Built in DC On/Off Switch

Packaged in Tape & Reel for Automated Assembly

CSA/NRTL Certified File No. LR78160

UL File No. E140125

### Performance Specifications

#### Materials and Finish

Plastic Housing:

High Temperature Thermoplastic,

UL94V-0 Rated, Black Color

**Center Pin:** Copper Alloy, Nickel Plated

**Contact #2:** Phosphor Bronze, Silver Plated

**Contact #1 and #3:** Brass, Silver Plated

### Electrical Characteristics

#### Contact Resistance

#### Before Durability Test

**Between Terminals:** 30 milliohms Max.

**Plug to Contacts:** 50 milliohms Max.

#### After Durability Test

**Between Terminals:** 60 milliohms Max.

**Plug to Contacts:** 100 milliohms Max.

**Rated Voltage:** 16V DC

**Rated Current:** 3.5A

**Insulation Resistance:** 100 Megohms Min. at 500V DC

#### Dielectric Withstanding Voltage:

500V AC RMS for 1 Minute

### Mechanical Characteristics

**Durability Test:** 5000 Cycles

**Insertion Force:** 0.3kg - 3.0kg

**Extraction Force:** 0.3kg - 3.0kg

**Operating Temperature:** -25°C to +85°C

2D Drawing	IGES	STEP	3D PDF
Solder Profile	CofC RoHS Compliant	CofC REACH Compliant	UL Plastic File
Certificate of Origin	Check Stock	Request a Sample	Send Us An Email

Generated Part Number

Part Number Builder

	-		
Series		Diameter	Packaging Option

#### Series

KLDVX-SMT-02 - Vertical Surface Mount DC Power Jack

#### Diameter

A - 2.0mm Center Pin Diameter

B - 2.5mm Center Pin Diameter

#### Packaging Option

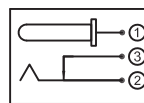
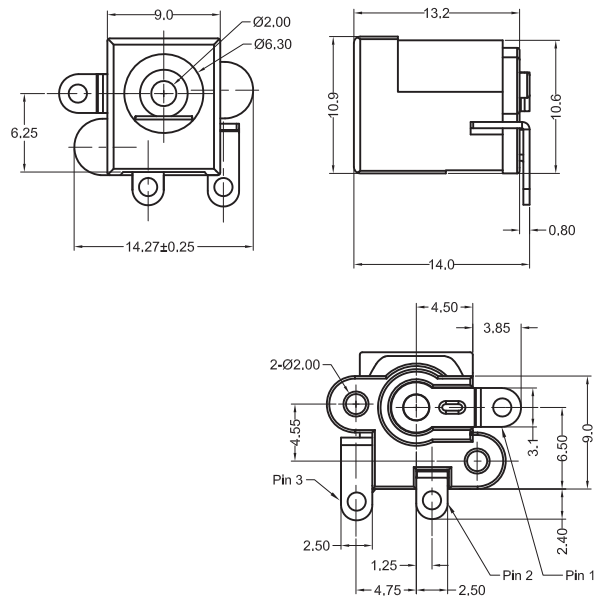
TR - Tape and Reel

Contact Kycon For Other Options

### KLDVX-SMT Series

Dimensions in mm

#### KLDVX-SMT-02-A



Schematic

## X-ON Electronics

Largest Supplier of Electrical and Electronic Components

*Click to view similar products for [DC Power Connectors](#) category:*

*Click to view products by [Kycon](#) manufacturer:*

Other Similar products are found below :

[RAPC3FG](#) [B04P-VL-VN-1.8](#) [1600206-1](#) [163-0302](#) [163-0310-EX](#) [163-4024](#) [163-4117-EX](#) [163-5005-E](#) [163-7421](#) [171-0721-EX](#) [171-3118-EX](#) [173-23507-ST-EX](#) [KLDVX-SMT-02-ATR](#) [KLDX-SMT-0202-BP](#) [KLDX-SMT-0202-BPTR](#) [163-0179-EX](#) [163-0307-E](#) [163-4119-E](#) [171-0722-E](#) [171-3218-EX](#) [171-7391](#) [173-3413-ST-EX](#) [RAPCBRK](#) [K596](#) [KLD-0201-BC](#) [KLDVX-SMT-02-BTR](#) [KPPX-D](#) [TPCF-140-01-L-Q-4-RA](#) [RAPC3MHG](#) [RASM752TRX](#) [163-4800-E](#) [4C6831AX](#) [TS3PNJ](#) [DC-025LM-5A-2.5](#) [CL14218R](#) [AS250F RED](#) [DC-105-4A-1.6](#) [09441 AS120-F](#) [09442 AS120-M](#) [CP30240](#) [TAMIYA-M](#) [TAMIYA-MT1](#) [TAMIYA-MT2](#) [4840.1200](#) [4840.2202](#) [C5080HI-04P-18 + C5080HI-C](#) [JC-135](#) [JC-138](#) [JPO-25 \(FC6814\)](#) [JYO-26 \(FC6811\)](#)