

DC POWER CONNECTORS: KLDX-SMT Series

Surface Mount Mini DC Power Jack

Product Features

- 1.0mm and 1.3mm
- Built-In DC On/Off Switch
- Laptop and Palm Computer, Portable Modems, Radar Detectors, and Other Portable Device Applications
- High Temperature Material For Reflow Compatibility
- Packaged in Tape & Reel for Automated Assembly
- CSA/NRTL Certified File No. LR78160
- UL File No. E140125

Performance Specifications

Materials and Finish

- Plastic Housing:** High Temperature Thermoplastic, UL94V-0 Rated, Black Color
- Center Pin:** Copper Alloy, Nickel Plated
- Contacts:** Copper Alloy, Silver Plated

Electrical Characteristics

Contact Resistance

Before Durability Test

Between Terminals: 30 milliohms Max.

Plug to Contacts: 50 milliohms Max.

After Durability Test

Between Terminals: 60 milliohms Max.

Plug to Contacts: 100 milliohms Max.

Rated Voltage: 24V DC

Rated Current: 3.0A

Insulation Resistance: 100 Megohms Min.

Dielectric Withstanding Voltage:

500V AC RMS for 1 Minute

Mechanical Characteristics

Durability Test: 5000 Cycles

Insertion Force: 0.3kg - 2.0kg

Extraction Force: 0.3kg - 2.0kg

Operating Temperature: -25°C to +85°C

2D Drawing	IGES	STEP	3D PDF
Solder Profile	CofC RoHS Compliant	CofC REACH Compliant	UL Plastic File
Certificate of Origin	Check Stock	Request a Sample	Send Us An Email

Generated Part Number

Part Number Builder

-
 Series Diameter Packaging Option

Series

KLDX-SMT-0201L - Surface Mount Mini DC Power Jack

Diameter

- A - 1.0mm Center Pin Diameter
- B - 1.3mm Center Pin Diameter

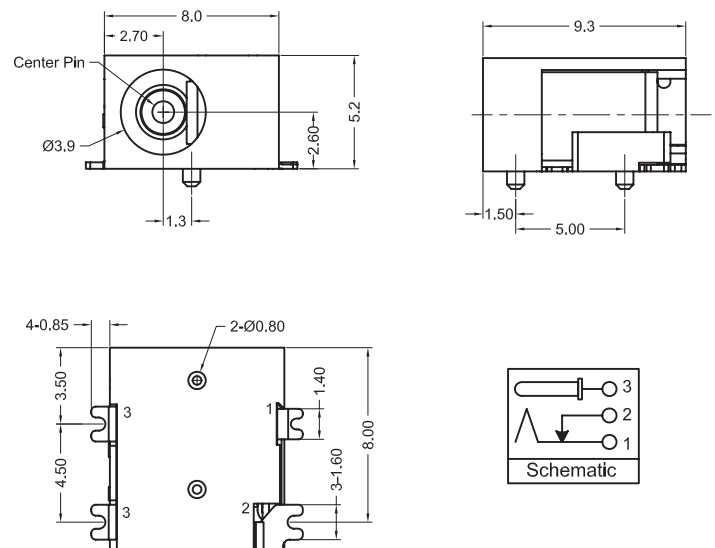
Packaging Option

TR - Tape and Reel

Contact Kycon for Other Options

KLDX-SMT-0201L

Dimensions in mm



X-ON Electronics

Largest Supplier of Electrical and Electronic Components

Click to view similar products for [DC Power Connectors](#) category:

Click to view products by [Kycon](#) manufacturer:

Other Similar products are found below :

[RAPC3FG](#) [B04P-VL-VN-1.8](#) [1600206-1](#) [163-0302](#) [163-0310-EX](#) [163-4024](#) [163-4117-EX](#) [163-5005-E](#) [163-7421](#) [171-0721-EX](#) [171-3118-EX](#) [173-23507-ST-EX](#) [KLDVX-SMT-02-ATR](#) [KLDX-SMT-0202-BP](#) [KLDX-SMT-0202-BPTR](#) [163-0179-EX](#) [163-0307-E](#) [163-4119-E](#) [171-0722-E](#) [171-3218-EX](#) [171-7391](#) [173-3413-ST-EX](#) [RAPCBRK](#) [K596](#) [KLD-0201-BC](#) [KLDVX-SMT-02-BTR](#) [KPPX-D](#) [TPCF-140-01-L-Q-4-RA](#) [RAPC3MHG](#) [RASM752TRX](#) [163-4800-E](#) [4C6831AX](#) [TS3PNJ](#) [DC-025LM-5A-2.5](#) [CL14218R](#) [AS250F RED](#) [DC-105-4A-1.6](#) [09441 AS120-F](#) [09442 AS120-M](#) [CP30240](#) [TAMIYA-M](#) [TAMIYA-MT1](#) [TAMIYA-MT2](#) [4840.1200](#) [4840.2202](#) [C5080HI-04P-18 + C5080HI-C](#) [JC-135](#) [JC-138](#) [JPO-25 \(FC6814\)](#) [JYO-26 \(FC6811\)](#)