



RCA PHONO JACKS: KLP42X Series
Stacked RCA Phono Jack PCB Mount

Product Features

Audio Applications for Computers and Multimedia
Gold Plating Available Upon Request
Various Color and Stacking Options Available
CSA/NRTL Certified File No. LR78160

Performance Specifications

Materials and Finish

Housing

PBT Thermoplastic, UL94V-0 Rated

Terminals

Brass, Tin Plated

Ground Pin

Brass, Nickel Plated

Electrical Characteristics

Rated Current: 0.3A

Rated Voltage: 16V DC

Contact Resistance

50 milliohms Max.

Insulation Resistance

100 Megohms Min. at 500V DC

Dielectric Withstanding Voltage

500V AC RMS for 1 Minute

Mechanical Characteristics

Insertion Force

0.3kg - 5.0kg

Extraction Force

0.3kg - 5.0kg

Durability

1000 Mating Cycles Min.

Operating Temperature

-20°C to +60°C

2D Drawing	IGES	STEP	3D PDF
Solder Profile	CofC RoHS Compliant	CofC REACH Compliant	UL Plastic File
Certificate of Origin	Check Stock	Request a Sample	Send Us An Email

Generated Part Number

Part Number Builder

-
 Series Type Color Option

Series

KLP42X - Stacked RCA Phono Jack

Type

60 - Single Column, Double Row

Color Option

B/B - Black/Black

R/R - Red/Red

R/W - Red/White

W/B - White/Black

W/R - White/Red

W/W - White/Yellow

W/Y - White/White

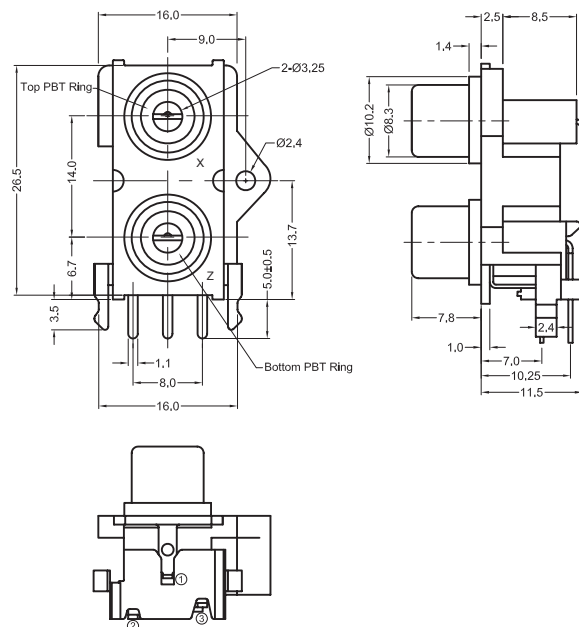
Y/Y - Yellow/Yellow

Color Layout - X/Z

Contact Kycon for other options

KLP42X-60

Dimensions in mm



X-ON Electronics

Largest Supplier of Electrical and Electronic Components

Click to view similar products for [RCA Phono Connectors](#) category:

Click to view products by [Kycon](#) manufacturer:

Other Similar products are found below :

[17PP052](#) [NYS352AG](#) [333-0000](#) [330F3](#) [336AX](#) [342-0000](#) [AP-165](#) [598](#) [AX101880](#) [716SNS1P11PL-25](#) [585](#) [330-0000](#) [335-0000](#) [588](#)
[ACJD-BLK](#) [NF2D-2](#) [NF2D-9](#) [NF2D-B-0](#) [NF2D-B-4](#) [299](#) [ACJD-RED](#) [ACJD-WHT](#) [PJRAS3X1S01X](#) [RCJ-2244](#) [3507](#) [413-0100](#) [431-0500](#)
[331-0000](#) [561](#) [NF2D-5](#) [NF2D-B-2](#) [NF2D-B-6](#) [566](#) [571](#) [572](#) [574](#) [NMPMF](#) [580](#) [581](#) [583](#) [586](#) [587](#) [589](#) [598](#) [NYS354](#) [NYS372P](#) [NYS373-](#)
[2-U](#) [ACJD-GRN](#) [936](#) [PJRAS1X3S02X](#)