

RCA PHONO JACKS: KLP42X Series

Stacked RCA Phono Jack PCB Mount

Product Features

Audio Applications for Computers and Multimedia
 Gold Plating Available Upon Request
 Various Color and Stacking Options Available
 CSA/NRTL Certified File No. LR78160

Performance Specifications

Materials and Finish

Housing

PBT Thermoplastic, UL94V-0 Rated

Terminals

Brass, Tin Plated

Ground Pin

Brass, Nickel Plated

Electrical Characteristics

Rated Current: 0.3A

Rated Voltage: 16V DC

Contact Resistance

50 milliohms Max.

Insulation Resistance

100 Megohms Min. at 500V DC

Dielectric Withstanding Voltage

500V AC RMS for 1 Minute

Mechanical Characteristics

Insertion Force

0.3kg - 5.0kg

Extraction Force

0.3kg - 5.0kg

Durability

1000 Mating Cycles Min.

Operating Temperature

-20°C to +60°C

2D Drawing	IGES	STEP	3D PDF
Solder Profile	CofC RoHS Compliant	CofC REACH Compliant	UL Plastic File
Certificate of Origin	Check Stock	Request a Sample	Send Us An Email

Generated Part Number

Part Number Builder

	-		
Series		Type	Color Option

Series

KLP42X - Stacked RCA Phono Jack

Type

62 - Triple Column, Double Row

Color Option

BY/R/YY - Black, Yellow / Red, Yellow / White, Yellow

RR/WW/YY - Red, Red / White, White / Yellow, Yellow

RW/R/WW - Red, White / Red, White / Red, White

RW/R/YY - Red, White / Red, White / Yellow, Yellow

WR/WR/WR - White, Red / White, Red / White, Red

WW/RR/YY - White, White / Red, Red / Yellow, Yellow

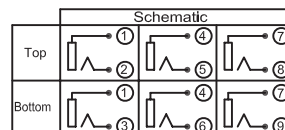
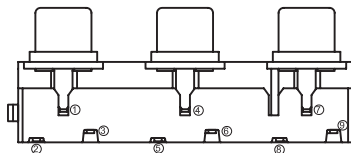
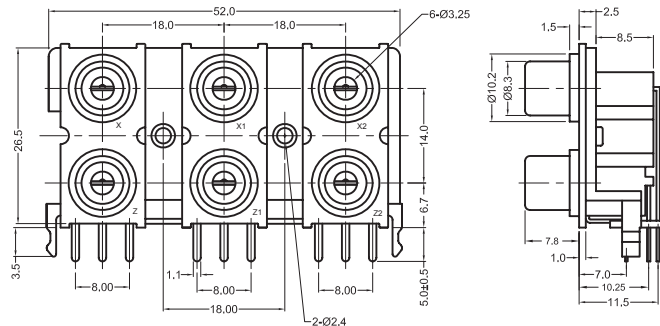
YY/YY/YY - Yellow, Yellow / Yellow, Yellow / Yellow, Yellow

Color Layout - X, Z / X1, Z1 / X2, Z2

Contact Kycon for other options

KLP42X-62-xx/xx/xx

Dimensions in mm



X-ON Electronics

Largest Supplier of Electrical and Electronic Components

Click to view similar products for [RCA Phono Connectors](#) category:

Click to view products by [Kycon](#) manufacturer:

Other Similar products are found below :

[17PP052](#) [NYS352AG](#) [333-0000](#) [330F3](#) [336AX](#) [342-0000](#) [AP-165](#) [598](#) [AX101880](#) [716SNS1P11PL-25](#) [585](#) [330-0000](#) [335-0000](#) [588](#)
[ACJD-BLK](#) [NF2D-2](#) [NF2D-9](#) [NF2D-B-0](#) [NF2D-B-4](#) [299](#) [ACJD-RED](#) [ACJD-WHT](#) [PJRAS3X1S01X](#) [RCJ-2244](#) [3507](#) [413-0100](#) [431-0500](#)
[331-0000](#) [561](#) [NF2D-5](#) [NF2D-B-2](#) [NF2D-B-6](#) [566](#) [571](#) [572](#) [574](#) [NMPMF](#) [580](#) [581](#) [583](#) [586](#) [587](#) [589](#) [598](#) [NYS354](#) [NYS372P](#) [NYS373-](#)
[2-U](#) [ACJD-GRN](#) [936](#) [PJRAS1X3S02X](#)