

MINI/CIRCULAR DINs: KMDGX-*S/*S Series Stacked Mini-DIN Gold Plated

Product Features

Audio, Video, Computer and Digital Equipment Applications
 Mates with Standard and Snap and Lock Plugs
 Space Saving Stacked Design
 Shielded Options Available for Good Conductivity,
 Grounding and EMI/RFI Protection
 Visual and Mechanical Polarization for Plug Insertion
 Gold Plated Contacts
 Reflow Compatible Design Available
 CSA/NRTL Certified File No. LR78160

Performance Specifications

Materials and Finish

Body

PBT Thermoplastic, Black Color, UL 94V-0 Rated

Contacts

Copper Alloy

Shield

See Drawing

Plating

Gold Flash over Nickel on Contacts. Tin over Nickel on Solderetails.

Mechanical Characteristics

Insertion Force

4.5kg Max.

Extraction Force

0.4kg - 3.5kg

Durability

500 Cycles Minimum

Electrical Characteristics

Rated Current

2A

Rated Voltage

12V DC

Insulation Resistance

500 Megohm Min.

Contact Resistance

Plug to Terminals: 30 milliohms Max.

After Durability Test

Plug to Terminals: 60 milliohms Max.

Dielectric Withstanding Voltage

500V AC for 1 Minute

Operating Temperature

-25°C to +85°C

| | | | |
|-----------------------|---------------------|----------------------|------------------|
| 2D Drawing | IGES | STEP | 3D PDF |
| Solder Profile | CofC RoHS Compliant | CofC REACH Compliant | UL Plastic File |
| Certificate of Origin | Check Stock | Request a Sample | Send Us An Email |

Generated Part Number

Part Number Builder

| | | | |
|----------------------|---|----------------------|----------------------|
| <input type="text"/> | - | <input type="text"/> | <input type="text"/> |
| Series | | Configuration | Shield Option |

Series

KMDGX - Stacked PCB Mount Mini-DIN

Configuration

4S/4S - 4 Contacts over 4 Contacts

6S/6S - 6 Contacts over 6 Contacts

8S/8S - 8 Contacts over 8 Contacts (Not available with S4N1)

Shield Option

S4N - Fully Shielded

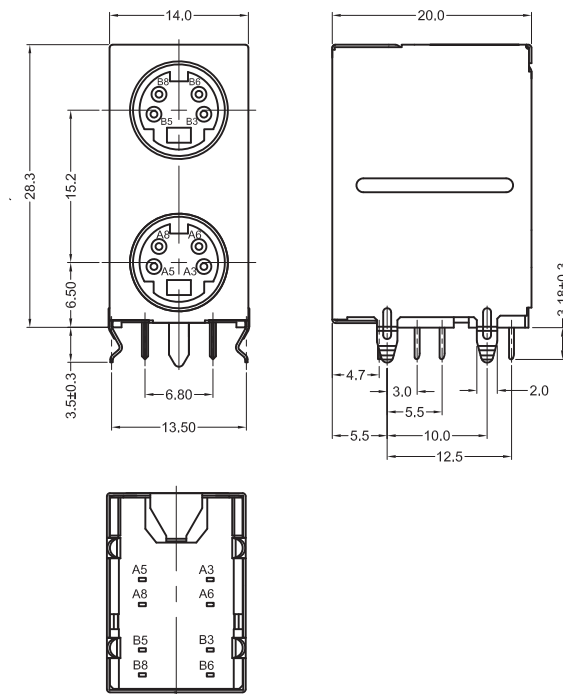
S4N1 - Fully Shielded with Mounting Hole

Contact Kycon for Other Options

KMDGX Series

Dimensions in mm

KMDGX-4S/4S-S4N



X-ON Electronics

Largest Supplier of Electrical and Electronic Components

Click to view similar products for [Circular DIN Connectors](#) category:

Click to view products by [Kycon](#) manufacturer:

Other Similar products are found below :

[60KD4M](#) [CTVP00RW-19-32S\(506\)](#) [M83723/76W22326](#) [M83723/78R22327](#) [D38999/26FE99SN L/C](#) [7547401103P](#) [75-474014-07L](#) [88-559975-75P](#) [8R3006A18M0033](#) [PT02E1283P](#) [GTC00G-24-7S](#) [PT05A-14-5SX](#) [PT05A1832SW](#) [PT05E2255PW](#) [PT05SE1832SWLC](#) [PT05SE1832SYLC](#) [GTC030-20-27PW-LC](#) [GTC030A-20-33S](#) [PT06SE1811SXLC](#) [1211290078](#) [1211810025](#) [1210120122](#) [ACC06AF-20-23P\(003\)](#) [1210503216](#) [1211290084](#) [1211500027](#) [ACS06AF-16-10P\(003\)](#) [D38999/40FB35AN](#) [D38999/40FB35BB](#) [D38999/40WB35BN](#) [D38999/40WD35PN](#) [D38999/40WJ29SN-L/C](#) [D38999/40WJ4BN](#) [D38999/42FB35BN](#) [D38999/42WB35AB](#) [D38999/42WB35PB-L/C](#) [D38999/42WJ19AN](#) [D38999/42WJ24PN-L/C](#) [D38999/44WB35AN](#) [D38999/44WD35BN](#) [D38999/44WH21AN](#) [D38999/44WH35AN](#) [D38999/44WJ29BA](#) [D38999/44WJ35PN](#) [D38999/44WJ61BA](#) [D38999/46FB35AC](#) [D38999/46FB35BN](#) [D38999/46FB35SA-L/C](#) [D38999/46FB99BA](#) [D38999/46FB99BN](#)