



HDMI^(TM):KMDMIX Series Mini Connector, Right Angle SMT HDMI^(TM)

Product Features

- Supports Deep Color over HDMI^(TM)
- 19 Position Receptacle
- Smaller, More Compact Form Than The Traditional HDMI^(TM) Counterpart
- Provides Low Impedance Mismatch

Performance Specifications

Materials and Finish

Housing

High Temp Thermoplastic, UL94V-0 Rated, Color Black

Contacts

Phosphor Bronze

Shield

Nickel Plated

Plating

Standard - 30 μ m Gold in Front Contacts and Gold Flash in Solder Area

Electrical Characteristics

Rated Voltage

40V AC (RMS)

Rated Current

0.5Amps Min.

Contact Resistance

10 milliohms Max.

Insulation Resistance

100 Megohms Min.

Dielectric Withstanding Voltage

500V AC RMS for 1 Min.

Mechanical Characteristics

Durability

10000 Mating Cycles Min.

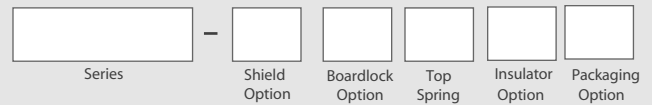
Operating Temperature

-25°C to +85°C

2D Drawing	IGES	STEP	3D PDF
Solder Profile	CofC RoHS Compliant	CofC REACH Compliant	UL Plastic File
Certificate of Origin	Check Stock	Request a Sample	Send Us An Email

Generated Part Number

Part Number Builder



Series

KMDMIX - HDMI^(TM) Mini Connector

Shield Option

NS3 - Vertical SMT Shield Tabs, Flange

Boardlock Option

A - Standard Straight



B - Indented



Top Spring

WS - With Top Spring

Insulator Option

B - Black

Packaging Option

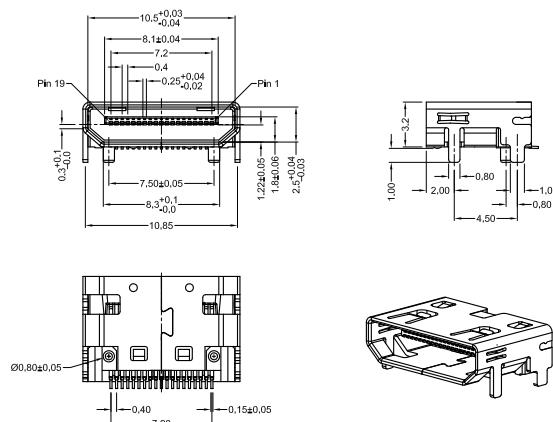
TR - Tape and Reel

Contact Kycon for Other Options

KMDMIX-NS3

Dimensions in mm

KMDMIX-NS3X-WS-BTR



X-ON Electronics

Largest Supplier of Electrical and Electronic Components

Click to view similar products for [HDMI, Displayport & DVI Connectors](#) category:

Click to view products by [Kycon](#) manufacturer:

Other Similar products are found below :

[1775247-3](#) [2-1932649-5](#) [30-1231](#) [30-528](#) [2069485-1](#) [30-504](#) [30-519](#) [30-542](#) [47648-2000](#) [2002-400](#) [TC142X](#) [769-103/021-000](#) [1932649-1](#)
[233-368NFG6-17NH](#) [PJ-210A](#) [PJ-35825](#) [6321-026RDS1MWA02](#) [DV11201-H5R6-4F](#) [RPI-16337](#) [CC-MDPM-VGAM-6](#) [RPI-16338](#) [CCB-](#)
[HDMIL-1.5M](#) [CCB-HDMIL-1M](#) [CCB-HDMIL-2M](#) [CCB-HDMIL-3M](#) [CCB-HDMIL-5M](#) [CCB-HDMIL-7.5M](#) [CCBP-HDMI-10M](#) [CCBP-](#)
[HDMI-1M](#) [CCBP-HDMI-2M](#) [CCBP-HDMI-3M](#) [CCBP-HDMI-5M](#) [CCBP-HDMI-7.5M](#) [CCBP-HDMI8K-1M](#) [CCBP-HDMI8K-2M](#) [CCBP-](#)
[HDMI8K-3M](#) [AK-AV-02](#) [AK-AV-03](#) [AK-AV-05](#) [AK-AV-11](#) [AK-AV-13](#) [AK-AV-15](#) [CCP-MDP2-6](#) [CCP-MDPMDP2-6](#) [AK-HD-05A](#) [AK-](#)
[HD-100A](#) [AK-HD-100P](#) [AK-HD-15A](#) [AK-HD-15P](#) [AK-HD-15R](#)