

## MINI/CIRCULAR DINs: KMDTX Series Slim Design Right Angle Mini-DIN

### Product Features

Slim Design Saves On Board Space  
Mates with Standard and Snap and Lock Plugs  
Available in SMT and Reflow Compatible  
Through Hole Designs  
Full Shield for EMI/RFI Protection  
CSA/NRTL Certified File No. LR78160  
UL File No. E140125

### Performance Specifications

#### Materials and Finish

##### Body

High Temperature Thermoplastic, Black Color,  
UL 94V-0 Rated

##### Contacts

Phosphor Bronze

##### Shield

SPCC, Nickel Plated

### Mechanical Characteristics

#### Durability

500 Cycles Min.

#### Insertion Force

0.5kg - 4.5kg

#### Extraction Force

0.4kg - 3.5kg

### Electrical Characteristics

#### Rated Current

1A

#### Rated Voltage

18V DC

#### Insulation Resistance

500 Megohm Min. at 500V DC

#### Contact Resistance

##### Before Durability Test

Plug to Shield: 50 milliohms Max.

Plug to Terminals: 30 milliohms Max.

##### After Durability Test

Plug to Shield: 100 milliohms Max.

Plug to Terminals: 60 milliohms Max.

#### Dielectric Withstanding Voltage

500V RMS AC for 1 Minute

#### Operating Temperature

-25°C to + 70°C

2D Drawing	IGES	STEP	3D PDF
Solder Profile	CofC RoHS Compliant	CofC REACH Compliant	UL Plastic File
Certificate of Origin	Check Stock	Request a Sample	Send Us An Email

### Generated Part Number

### Part Number Builder

<input type="text"/>	-	<input type="text"/>	<input type="text"/>	<input type="text"/>
Series		Number of Contacts	Contact Type	Option

### Series

**KMDTX-HT** - Reflow Compatible Through Hole, Right Angle, PCB Mount Mini-DIN

**KMDTX-SMT** - Surface Mount, Right Angle, PCB Mount Mini-DIN

### Number of Contacts

4 Contacts

6 Contacts

### Contact Type

S - Receptacle

### Shielding Option

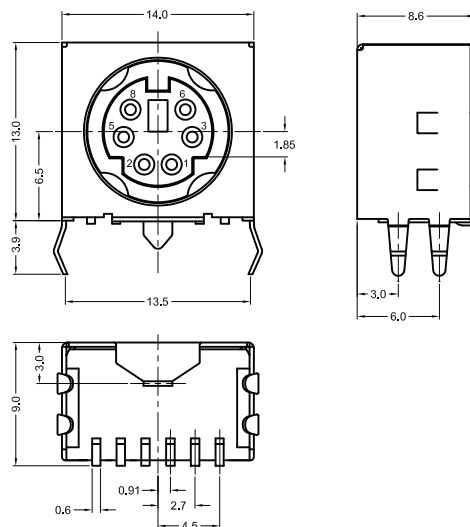
BSC - Fully Shielded

Contact Kycon for Other Options

### KMDTX Series

Dimensions in mm

#### KMDTX-SMT-6S-BSC



## X-ON Electronics

Largest Supplier of Electrical and Electronic Components

*Click to view similar products for [Circular DIN Connectors](#) category:*

*Click to view products by [Kycon](#) manufacturer:*

Other Similar products are found below :

[60KD4M](#) [M83723/76W22326](#) [M83723/78R22327](#) [D38999/26FE99SN L/C](#) [75-069228-21J](#) [75-474014-07L](#) [88-559975-75P](#)  
[8R3006A18M0033](#) [PT02E1283P](#) [GTC00G-24-7S](#) [PT05A-14-5SX](#) [PT05A1832SW](#) [PT05E2255PW](#) [PT05SE1832SWLC](#) [PT05SE1832SYLC](#)  
[GTC030-20-27PW-LC](#) [GTC030A-20-33S](#) [PT06SE1811SXLC](#) [1211290078](#) [1211810025](#) [1210120122](#) [ACC06AF-20-23P\(003\)](#) [1210503216](#)  
[1211290084](#) [1211500027](#) [ACS06AF-16-10P\(003\)](#) [D38999/40FB35AN](#) [D38999/40FB35BB](#) [D38999/40WB35BN](#) [D38999/40WD35PN](#)  
[D38999/40WJ29SN-L/C](#) [D38999/40WJ4BN](#) [D38999/42FB35BN](#) [D38999/42WB35AB](#) [D38999/42WB35PB-L/C](#) [D38999/42WJ19AN](#)  
[D38999/42WJ24PN-L/C](#) [D38999/44WB35AN](#) [D38999/44WH21AN](#) [D38999/44WH35AN](#) [D38999/44WJ29BA](#) [D38999/44WJ35PN](#)  
[D38999/44WJ61BA](#) [D38999/46FB35AC](#) [D38999/46FB35BN](#) [D38999/46FB35SA-L/C](#) [D38999/46FB99BA](#) [D38999/46FB99BN](#)  
[D38999/46FJ19SA-L/C](#) [D38999/46FJ29AA](#)