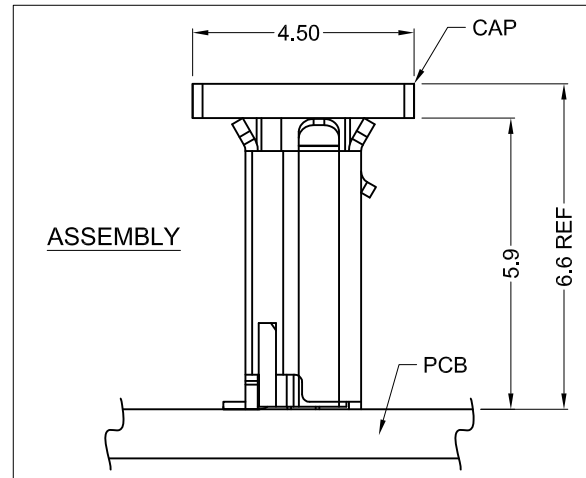
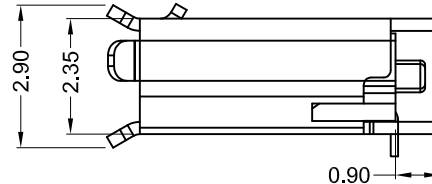


RECOMMENDED PCB LAYOUT  
(TOP VIEW)



**Material and Finish**

Insulator: High Temperature Thermoplastic, UL 94V-0 Rated, Color: Black

Shell: Stainless Steel, Matte Tin Plated

Contact Material: Phosphor Bronze

Contact Plating Options:  
Standard: 10u" Gold Plated on Contact Area, Gold Flash on Solder Tails, All over Nickel Underplate  
50 Option: 50u" Gold Plated on Contact Area, Gold Flash on Solder Tails, All over Nickel Underplate

**Electrical Characteristics**

Rated Current: 1.5A

Rated Voltage: 30V AC/DC

Insulation Resistance: 1,000 Megohms Min.

Contact Resistance: 30 milliohms Max.

Dielectric Withstanding Voltage: 100V AC For 1 Minute

**Mechanical Characteristics**

Durability: 10,000 Mating Cycles Min.

Operating Temperature: -40°C to +105°C

Part Number	Insulator Color	Contact Area Plating Finish	Packaging
KMMVX-SMT-BS-BTR	Black	10u" Gold (standard)	Tape & Reel
KMMVX-SMT-BS-B50TR	Black	50u" Gold (50 option)	Tape & Reel

**RoHS COMPLIANT**

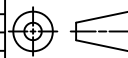
Tolerances
X.X ± 0.35
X.XX ± 0.25
Unless Stated Otherwise

REV.	DATE	DESCRIPTION	REV. BY	CHK. BY	DRAWN BY	DATE
A0	09/10/15	New Drawing	C. Kelleher	W. Cook		
A1	09/22/15	Release Drawing	C. Kelleher	W. Cook	C. Kelleher	8/25/15

**KMMVX-SMT-BS-BxTR**

Micro-B Socket, USB 2.0, SMT

Vertical, RoHS Compliant



UNITS  
mm

## X-ON Electronics

Largest Supplier of Electrical and Electronic Components

*Click to view similar products for [USB Connectors](#) category:*

*Click to view products by [Kycon](#) manufacturer:*

Other Similar products are found below :

[65-647-8-BK-BU](#) [950](#) [952](#) [E8144-B01021-L](#) [A-USB A-LP-SMT-C](#) [A-USB B-TOP-C](#) [MUSBA511N5](#) [MUSBD11135](#) [217450-1](#) [CA 6 W LD](#)  
[KMBVX-TH-5S-B30](#) [896-30-004-00-000000](#) [KUSBVX-BS1N-W30](#) [KUSBX-AP-KIT-SCBLK](#) [KUSBX-AS2N-W](#) [KUSBX-SMT2AP1S-W](#)  
[KUSBX-SMT2AP1S-W30](#) [935](#) [957](#) [30-498-6](#) [17-210051](#) [1734082-1](#) [30-1574](#) [30-470](#) [30-489](#) [30-541](#) [30-572-3](#) [MAB 8 SN V](#) [A-USB A-](#)  
[2P-C](#) [MIKROE-1451](#) [USBFTV2PEM2G](#) [USBFTVC6ZN](#) [KUSBX-AS2N-W30](#) [KUSBX-SLAS1N-W](#) [KUSBX-SMT-AS1N-W30](#) [4689-1](#) [1-](#)  
[1734084-2](#) [E8110-001-01](#) [MUSBA81130](#) [33UBARS1-04SW11](#) [33UBAR-04SW11](#) [USBF21ZNSCC](#) [USBBFTV6ZC](#) [10135326-001LF](#)  
[M9177/3-1](#) [USB-A-S-F-B-VT](#) [925](#) [4198](#) [690-024-633-031](#) [KUSBEX-BSFS1N-W](#)