

UNIVERSAL SERIAL BUS: KMMX Series

Micro Universal Serial Bus 3.0

Product Features

Also Known as SuperSpeed USB
 More Compact Footprint than Mini-USB
 Meets the USB-IF 3.0 Specification
 Stainless Steel Shell, Which Yields 10,000 Insertion Cycles
 Used in Portable Devices Such as Mobile Phones, PDAs, and Digital Cameras
 CSA/NRTL/US Certified File No. LR78160
 UL File No. E134345

Performance Specifications

Materials and Finish

Insulator

LCP+50%GF UL 94V-0 Rated, Black Color

Contacts

30μ" Gold Plating over Nickel on Contact Area,
 Gold Flash Plating on Solder Tail

Shell

Stainless Steel, Nickel Plated

Electrical Characteristics

Rated Voltage: 5V AC (RMS Max.)
Rated Current: 1.8A (only Pin 1,5); 0.25A For Other Pins
Dielectric Withstanding Voltage: 100V AC for 1 Min.
Insulation Resistance: 100 Megohms Min.
Contact Resistance: 50 milliohms Max
Operating Temperature: See Drawing

Mechanical Characteristics

Insertion Force

35N Max. **Force**

Withdrawal

8N Min.

Durability

10000 Cycles Min.

2D Drawing	IGES	STEP	3D PDF
Solder Profile	CofC RoHS Compliant	CofC REACH Compliant	UL Plastic File
Certificate of Origin	Check Stock	Request a Sample	Send Us An Email

Generated Part Number

Part Number Builder

<input type="text"/>	-	<input type="text"/>	<input type="text"/>	<input type="text"/>	<input type="text"/>	<input type="text"/>
Series		Type	Mounting Option	Insulator Color	Plating Option	Packaging Option

Series

KMMX - Micro Universal Serial Bus

Type

AB10 - AB Type, 10 pins
B10 - B Type, 10 pins

Mounting Option

SMT1S - Surface Mount with Through Hole Shield Tabs
SMT4S - Surface Mount with SMT Shield Tabs

Insulator Color Option

B - Black

Plating Option

30 - 30μ" Gold

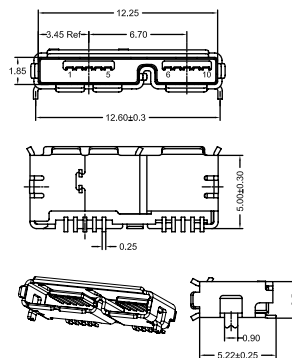
Packaging

TR - Tape and Reel

Contact Kycon for other options

KMMX-AB10-SMT1SB30

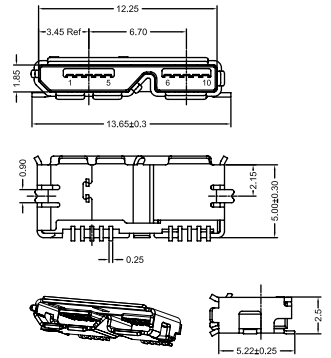
Dimensions in mm



Pin Number	Signal Name
1	VBUS
2	D-
3	D+
4	ID
5	GND
6	MicA_SSTX-
7	MicA_SSTX+
8	GND_DRAIN
9	MicA_SSRX-
10	MicA_SSRX+

KMMX-B10-SMT4SB30

Dimensions in mm



Pin Number	Signal Name
1	VBUS
2	D-
3	D+
4	ID
5	GND
6	MicA_SSTX-
7	MicA_SSTX+
8	GND_DRAIN
9	MicA_SSRX-
10	MicA_SSRX+

X-ON Electronics

Largest Supplier of Electrical and Electronic Components

Click to view similar products for [USB Connectors](#) category:

Click to view products by [Kycon](#) manufacturer:

Other Similar products are found below :

[65-647-8-BK-BU](#) [950](#) [952](#) [E8144-B01021-L](#) [A-USB A-LP-SMT-C](#) [A-USB B-TOP-C](#) [MUSBA511N5](#) [MUSBD11135](#) [217450-1](#) [CA 6 W LD](#)
[KMBVX-TH-5S-B30](#) [896-30-004-00-000000](#) [KUSBVX-BS1N-W30](#) [KUSBX-AP-KIT-SCBLK](#) [KUSBX-AS2N-W](#) [KUSBX-SMT2AP1S-W](#)
[KUSBX-SMT2AP1S-W30](#) [935](#) [957](#) [30-498-6](#) [17-210051](#) [1734082-1](#) [30-1574](#) [30-470](#) [30-489](#) [30-541](#) [30-572-3](#) [MAB 8 SN V](#) [A-USB A-](#)
[2P-C](#) [MIKROE-1451](#) [USBFTV2PEM2G](#) [USBFTVC6ZN](#) [KUSBX-AS2N-W30](#) [KUSBX-SLAS1N-W](#) [KUSBX-SMT-AS1N-W30](#) [4689-1](#) [1-](#)
[1734084-2](#) [E8110-001-01](#) [MUSBA81130](#) [33UBARS1-04SW11](#) [33UBAR-04SW11](#) [USBF21ZNSCC](#) [USBBFTV6ZC](#) [10135326-001LF](#)
[M9177/3-1](#) [USB-A-S-F-B-VT](#) [925](#) [4198](#) [690-024-633-031](#) [KUSBEX-BSFS1N-W](#)