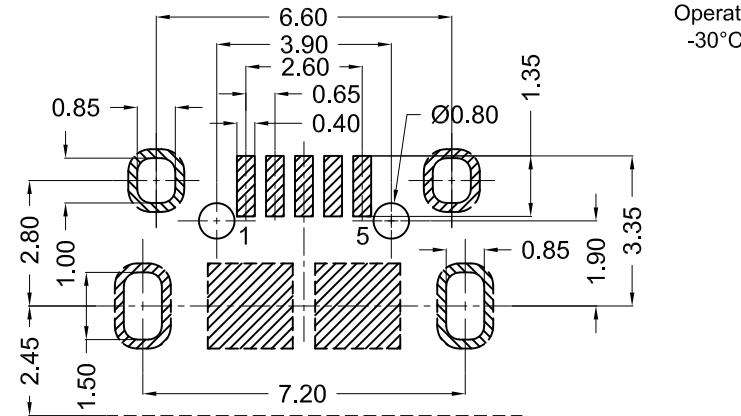
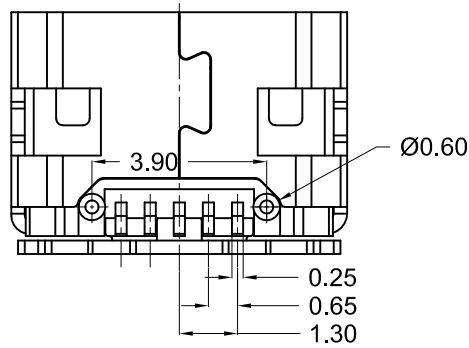
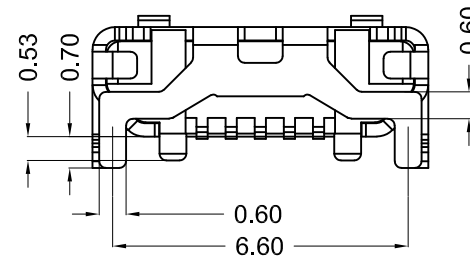


Section A-A



RECOMMENDED PCB LAYOUT (TOP VIEW)

Material and Finish

Insulator: High Temp, Thermoplastic, UL 94V-0 Rated, Black

Shell: SUS, Nickel Plated

Contact Material: Phosphor Bronze

Contact Plating: Gold Flash on Solder Tails, 30u" Gold Plated on Contact Area, All over Nickel Underplate

Electrical Characteristics

Rated Current: 1A
 Rated Voltage: 30V AC/DC
 Insulation Resistance: 1000 Megohms Min.
 Contact Resistance: 30 milliohms Max.
 Dielectric Withstanding Voltage: 100V AC For 1 Minute

Mechanical Characteristics

Durability: 10000 Mating Cycles Min.
 Operating Temperature: -30°C to +80°C



Tolerances
X.X ± 0.35
X.XX ± 0.25
Unless Stated Otherwise

REV.	DATE	DESCRIPTION	REV. BY	CHK. BY	DRAWN BY	DATE
A0	12/06/16	New Drawing	G. Serrato	W. Cook	G. Serrato	12/06/16
A1	04/03/17	Release Drawing	J. Elbanna	C. Kelleher		
A2	03/20/19	ECO #19-029	G. Serrato	D. Shehan		
						UNITS
						mm

KMMX-BSMT35S-1-30BTR

Micro USB Type B, SMT Contacts, RoHS Compliant

Long Thru Hole Shield Tabs, 5 Pin, Tape & Reel



X-ON Electronics

Largest Supplier of Electrical and Electronic Components

Click to view similar products for [USB Connectors](#) category:

Click to view products by [Kycon](#) manufacturer:

Other Similar products are found below :

[950](#) [A-USB A-LP-SMT-C](#) [A-USB B-TOP-C](#) [MUSBA511N5](#) [MUSBD11135](#) [217450-1](#) [KMBVX-TH-5S-B30](#) [896-30-004-00-000000](#)
[KUSBX-AS2N-W](#) [KUSBX-SMT2AP1S-W30](#) [935](#) [957](#) [30-498-6](#) [SK-60A-2](#) [1734082-1](#) [CIR08AF-20-27S-F80-20](#) [CIR08F-20](#) [30-1574](#) [30-470](#) [30-489](#) [30-541](#) [30-572-3](#) [A-USB A-2P-C](#) [MIKROE-1451](#) [USBFTV2PEM2G](#) [USBFTVC6ZN](#) [USBFTVSCCG](#) [4689-1](#) [1-1734084-2](#)
[CIR08F-20-27P-F80-VO](#) [USBF21ZNSCC](#) [USBBFTV6ZC](#) [MUSBB151341](#) [10135326-001LF](#) [M9177/3-1](#) [USB-A-S-F-B-VT](#) [925](#) [4198](#) [690-024-633-031](#) [UB-20PMFP-LC7001](#) [USBFTVC6MRG](#) [UA-20BMFA-SL8001](#) [17-200011](#) [USBFTVC7ZC](#) [UB-20AFMM-LL7A01](#)
[USBFTVC2MN](#) [CAP-WCCMLPB1](#) [CAP-WCCMLPC1](#) [2041386-1](#) [2274475-3](#)