



DC POWER CONNECTORS: KPJX Series

Snap and Lock PCB Mount Receptacle

Product Features

Laptop Computers, Power Supplies and Other Portable Digital Equipment Applications
 Snap & Lock Feature Helps to Prevent Accidental Disconnects
 3 or 4 Pins Transmit Power, or One Pin Can Be Used For Signal Transmission
 For Signal and DC Power Applications
 CSA/NRTL Certified File No. LR78160
 UL File No. E140125

Performance Specifications

Materials and Finish

Shield: Copper Alloy, Tin Plated
Body: PBT, UL 94V-0 Rated
HT Body: High Temperature Thermoplastic, UL 94V-0 Rated

Electrical Characteristics

Contact Rating

3 Position: Pin 1 and 2, 48V DC at 7.5A Max.,
 Pin 3, 48V DC 1.0A Max.

4 Position: 48V DC 7.5A Max. For All Pins.

Insulation Resistance: 50 Megohms Min. at 250V DC

Dielectric Withstanding Voltage: 500V AC for 1 Minute

Contact Resistance: 30 milliohms Max.

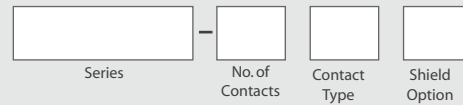
Mechanical Characteristics

Durability: 1000 Cycles

2D Drawing	IGES	STEP	3D PDF
Check Stock	Solder Profile	Request a Sample	Send Us An Email
RoHS Compliant	REACH Compliant	UL Plastic	Certificate of Compliance

Generated Part Number

Part Number Builder



Series

KPJX - Right Angle Receptacle
 KPJXHT - High Temperature, Right Angle Receptacle

Number of Contacts

3 Pin
 4 Pin

Contact Type

S - Socket

Shield Option

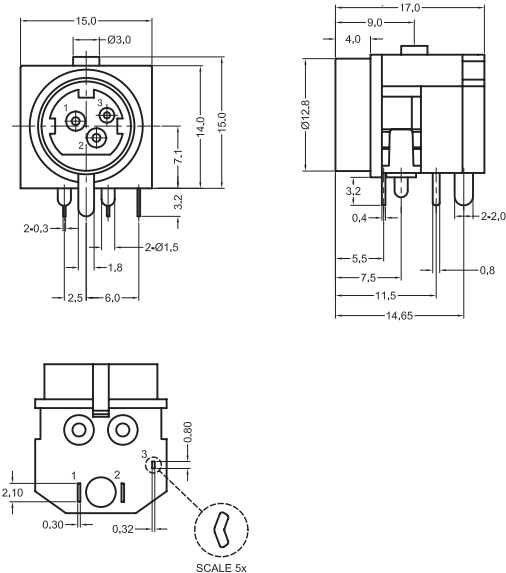
Blank - Non-Shielded
 S - Shielded

Mates with: **KPPX Series Plugs**

Contact Kycon for Other Options

KPJX-3S Series

Dimensions in mm



X-ON Electronics

Largest Supplier of Electrical and Electronic Components

Click to view similar products for [DC Power Connectors](#) category:

Click to view products by [Kycon](#) manufacturer:

Other Similar products are found below :

[RAPC3FG](#) [B04P-VL-VN-1.8](#) [1600206-1](#) [163-0302](#) [163-0310-EX](#) [163-4024](#) [163-4117-EX](#) [163-5005-E](#) [163-7421](#) [171-0721-EX](#) [171-3118-EX](#) [173-23507-ST-EX](#) [KLDVX-SMT-02-ATR](#) [KLDX-SMT-0202-BP](#) [KLDX-SMT-0202-BPTR](#) [163-0179-EX](#) [163-0307-E](#) [163-4119-E](#) [171-0722-E](#) [171-3218-EX](#) [171-7391](#) [173-3413-ST-EX](#) [RAPCBRK](#) [K596](#) [KLD-0201-BC](#) [KPPX-D](#) [TPCF-140-01-L-Q-4-RA](#) [RAPC3MHG](#) [RASM752TRX](#) [163-4800-E](#) [4C6831AX](#) [TS3PNJ](#) [DC-025LM-5A-2.5](#) [CL14218R](#) [AS250F RED](#) [DC-105-4A-1.6](#) [09441](#) [AS120-F](#) [09442](#) [AS120-M](#) [CP30240](#) [TAMIYA-M](#) [TAMIYA-MT1](#) [TAMIYA-MT2](#) [4840.1200](#) [4840.2202](#) [C5080HI-04P-18 + C5080HI-C](#) [JC-135](#) [JC-138](#) [JPO-25 \(FC6814\)](#) [JYO-26 \(FC6811\)](#) [KLBR 4](#)