



## DC POWER CONNECTORS: KPJX Series

### Snap and Lock PCB Mount Receptacle

#### Product Features

Laptop Computers, Power Supplies and Other Portable Digital Equipment Applications  
 Snap & Lock Feature Helps to Prevent Accidental Disconnects  
 3 or 4 Pins Transmit Power, or One Pin Can Be Used For Signal Transmission  
 For Signal and DC Power Applications  
 CSA/NRTL Certified File No. LR78160  
 UL File No. E140125

#### Performance Specifications

##### Materials and Finish

**Shield:** Copper Alloy, Tin Plated  
**Body:** PBT, UL 94V-0 Rated  
**HT Body:** High Temperature Thermoplastic, UL 94V-0 Rated

#### Electrical Characteristics

##### Contact Rating

**3 Position:** Pin 1 and 2, 48V DC at 7.5A Max.,  
 Pin 3, 48V DC 1.0A Max.

**4 Position:** 48V DC 7.5A Max. For All Pins.

**Insulation Resistance:** 50 Megohms Min. at 250V DC

**Dielectric Withstanding Voltage:** 500V AC for 1 Minute

**Contact Resistance:** 30 milliohms Max.

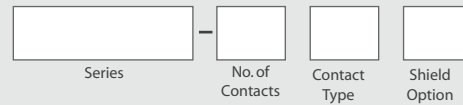
#### Mechanical Characteristics

**Durability:** 1000 Cycles

2D Drawing	IGES	STEP	3D PDF
Check Stock	Solder Profile	Request a Sample	Send Us An Email
RoHS Compliant	REACH Compliant	UL Plastic	Certificate of Compliance

Generated Part Number

#### Part Number Builder



##### Series

KPJX - Right Angle Receptacle  
 KPJXHT - High Temperature, Right Angle Receptacle

##### Number of Contacts

3 Pin  
 4 Pin

##### Contact Type

S - Socket

##### Shield Option

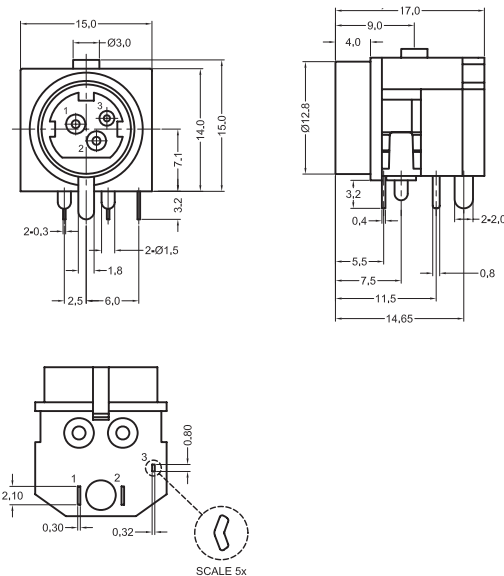
Blank - Non-Shielded  
 S - Shielded

**Recommended to be used with Kycon KPPX Series Plugs**

Contact Kycon for Other Options

#### KPJX-3S Series

Dimensions in mm



## X-ON Electronics

Largest Supplier of Electrical and Electronic Components

*Click to view similar products for [DC Power Connectors](#) category:*

*Click to view products by [Kycon](#) manufacturer:*

Other Similar products are found below :

[RAPC3FG](#) [B04P-VL-VN-1.8](#) [1600206-1](#) [163-0302](#) [163-0310-EX](#) [163-4024](#) [163-4117-EX](#) [163-5005-E](#) [163-7421](#) [171-0721-EX](#) [171-3118-EX](#) [173-23507-ST-EX](#) [KLDVX-SMT-02-ATR](#) [KLDX-SMT-0202-BP](#) [KLDX-SMT-0202-BPTR](#) [163-0179-EX](#) [163-0307-E](#) [163-4119-E](#) [171-0722-E](#) [171-3218-EX](#) [171-7391](#) [173-3413-ST-EX](#) [RAPCBRK](#) [K596](#) [KLD-0201-BC](#) [KLDVX-SMT-02-BTR](#) [KPPX-D](#) [TPCF-140-01-L-Q-4-RA](#) [RAPC3MHG](#) [RASM752TRX](#) [163-4800-E](#) [4C6831AX](#) [TS3PNJ](#) [DC-025LM-5A-2.5](#) [CL14218R](#) [AS250F RED](#) [DC-105-4A-1.6](#) [09441 AS120-F](#) [09442 AS120-M](#) [CP30240](#) [TAMIYA-M](#) [TAMIYA-MT1](#) [TAMIYA-MT2](#) [4840.1200](#) [4840.2202](#) [C5080HI-04P-18 + C5080HI-C](#) [JC-138](#) [JPO-25 \(FC6814\)](#) [JYO-26 \(FC6811\)](#) [JYO-29 \(FC68102\)](#)