

UNIVERSAL SERIAL BUS: KUSB67X Series

Push Pull IP67 Panel Mount

Product Features

IP67 Rated (When used with IP67X-PP Cap)
 A Type USB 2.0
 Contact Area with Gold Plating
 Panel Mount
 Quick Release

Performance Specifications

Materials and Finish

Insulator

Thermoplastic, UL 94V-0 Rated, Black Color

Shell

Steel, Nickel Plated

Contact Material

Phosphor Bronze

Contact Plating Option

Standard: Gold Flash on Contact Area, Tin Plated on Solder
 Tails, All over Nickel Underplate

Mechanical Characteristics

Durability: 1000 Mating Cycles Min.

Electrical Characteristics

Rated Current: 1.5A

Rated Voltage: 30V AC/DC

Insulation Resistance: 500 Megohms Min.

Contact Resistance: 50 milliohms Max.

Dielectric Withstanding Voltage: 500V AC For 1 Minute

| | | | |
|-----------------------|---------------------|----------------------|------------------|
| 2D Drawing | IGES | STEP | 3D PDF |
| Solder Profile | CofC RoHS Compliant | CofC REACH Compliant | UL Plastic File |
| Certificate of Origin | Check Stock | Request a Sample | Send Us An Email |

Generated Part Number

Part Number Builder



Series

KUSB67X - Push Pull IP67 Panel Mount

Type

AS1N - A Type

Interface Option

Blank - USB A to PCB

2 - USB A to USB A

Panel Mount

PM - Panel Mount

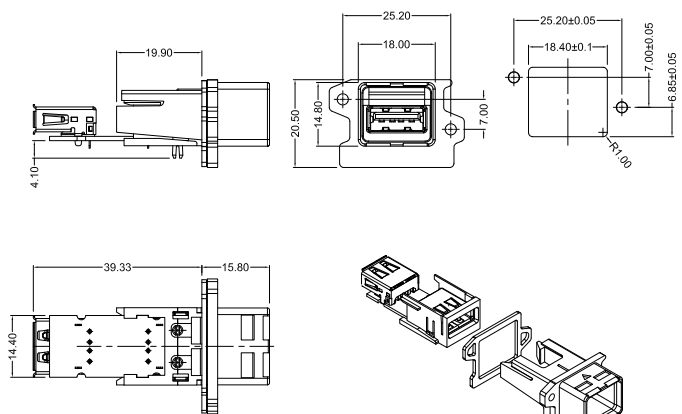
Use with **IP67X-PP-CAP** for IP67

Contact Kycon for other options

KUSB67X

Dimensions in mm

KUSB67X-AS1N-2-PM



Note: Recommended Mounting Screw - M2.5 x 2

X-ON Electronics

Largest Supplier of Electrical and Electronic Components

Click to view similar products for [USB Connectors](#) category:

Click to view products by [Kycon](#) manufacturer:

Other Similar products are found below :

[65-647-8-BK-BU](#) [950](#) [952](#) [E8144-B01021-L](#) [A-USB A-LP-SMT-C](#) [MUSBA511N5](#) [MUSBD11135](#) [217450-1](#) [CA 6 W LD](#) [KMBVX-TH-5S-B30](#) [896-30-004-00-000000](#) [KUSBVX-BS1N-W30](#) [KUSBX-AP-KIT-SCBLK](#) [KUSBX-AS2N-W](#) [KUSBX-SMT2AP1S-W](#) [KUSBX-SMT2AP1S-W30](#) [935](#) [957](#) [30-498-6](#) [17-210051](#) [1734082-1](#) [30-1574](#) [30-470](#) [30-489](#) [30-541](#) [30-572-3](#) [MAB 8 SN V](#) [A-USB A-2P-C](#) [MIKROE-1451](#) [USBFTV2PEM2G](#) [USBFTVC6ZN](#) [KUSBX-AS2N-W30](#) [KUSBX-SLAS1N-W](#) [KUSBX-SMT-AS1N-W30](#) [4689-1](#) [1-1734084-2](#) [E8110-001-01](#) [MUSBA81130](#) [33UBARS1-04SW11](#) [33UBAR-04SW11](#) [USBF21ZNSCC](#) [USBBFTV6ZC](#) [MUSBB151341](#) [10135326-001LF](#) [M9177/3-1](#) [USB-A-S-F-B-VT](#) [925](#) [4198](#) [690-024-633-031](#) [KUSBEX-BSFS1N-W](#)