

Universal Serial Bus: KUSB67X-SMTTH-CS4

Type C®, USB 3.2 Socket. IP67 Rated

Product Features

USB Version 3.2 Gen 2 - 10Gbps
 IP67 Rated
 Hybrid SMT and Through Hole
 Leads with Through Hole Shield Tabs

Performance Specifications

Materials and Finish

Housing

High Temperature Thermoplastic, UL94V-0 Rated,
 Black Color

Shield

Stainless Steel, Nickel Plated

Contact Material

Copper Alloy

Contact plating

Gold on Contact Area, Tin plated on Solder tails, all over
 Nickel Underplate

Electrical Characteristics

Rated Current

5.0A Inclusive (1.25A Ea.) For Pins A4, A9, B4, and
 B9 (VBUS), 1.25A For Pin B5 (VCONN)
 6.25A Inclusive For Pins A1, A12, B1, B12 (GND) and Shield
 0.25A For All Other Pins

Rated Voltage

30V

Insulation Resistance

100 Megohms Min. at 100V DC

Contact Resistance

40 milliohms Max.

Dielectric Withstanding Voltage

100V AC RMS for 1 Minute

Mechanical Characteristics

Insertion Force

5N - 20N

Withdrawal Force

6N - 20N

Durability

10000 Mating Cycles Min.

Operating Temperature

-40°C to +85°C

2D Drawing	IGES	STEP	3D PDF
Solder Profile	CofC RoHS Compliant	CofC REACH Compliant	UL Plastic File
Certificate of Origin	Check Stock	Request a Sample	Send Us An Email

Generated Part Number

Part Number Builder



Series

KUSB67X-SMTTH - USB Type C, IP67 rated, SMT &
 Thru Hole Leads

Type

CS4 - C Type

Insulator Color Option

B - Black

Plating Options

Blank - Gold Flash
 30 - 30µ" Gold Plating

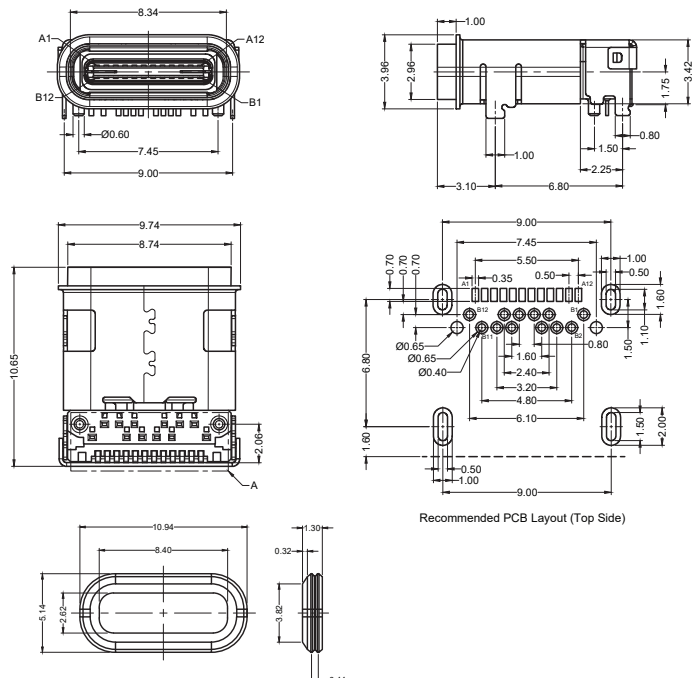
Packaging

TR - Tape and Reel

Contact Kycon for more options

KUSB67X-SMTTH

Dimensions in mm



*KUSB67X-SMTTH-Gasket included

X-ON Electronics

Largest Supplier of Electrical and Electronic Components

Click to view similar products for [USB Connectors](#) category:

Click to view products by [Kycon](#) manufacturer:

Other Similar products are found below :

[65-647-8-BK-BU](#) [950](#) [952](#) [E8144-B01021-L](#) [A-USB A-LP-SMT-C](#) [A-USB B-TOP-C](#) [MUSBA511N5](#) [MUSBD11135](#) [217450-1](#) [CA 6 W LD](#)
[KMBVX-TH-5S-B30](#) [896-30-004-00-000000](#) [KUSBVX-BS1N-W30](#) [KUSBX-AP-KIT-SCBLK](#) [KUSBX-AS2N-W](#) [KUSBX-SMT2AP1S-W](#)
[KUSBX-SMT2AP1S-W30](#) [935](#) [957](#) [30-498-6](#) [17-210051](#) [1734082-1](#) [30-1574](#) [30-470](#) [30-489](#) [30-541](#) [30-572-3](#) [MAB 8 SN V](#) [A-USB A-](#)
[2P-C](#) [MIKROE-1451](#) [USBFTV2PEM2G](#) [USBFTVC6ZN](#) [KUSBX-AS2N-W30](#) [KUSBX-SLAS1N-W](#) [KUSBX-SMT-AS1N-W30](#) [4689-1](#) [1-](#)
[1734084-2](#) [E8110-001-01](#) [MUSBA81130](#) [33UBARS1-04SW11](#) [33UBAR-04SW11](#) [USBF21ZNSCC](#) [USBBFTV6ZC](#) [10135326-001LF](#)
[M9177/3-1](#) [USB-A-S-F-B-VT](#) [925](#) [4198](#) [690-024-633-031](#) [KUSBEX-BSFS1N-W](#)