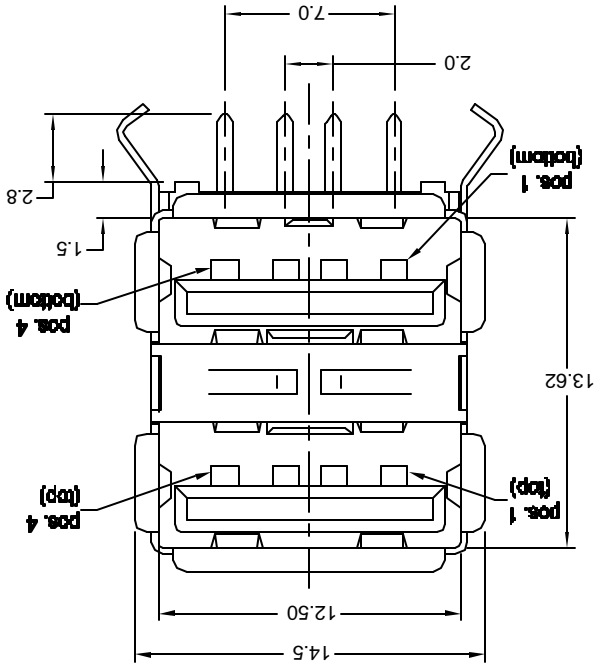


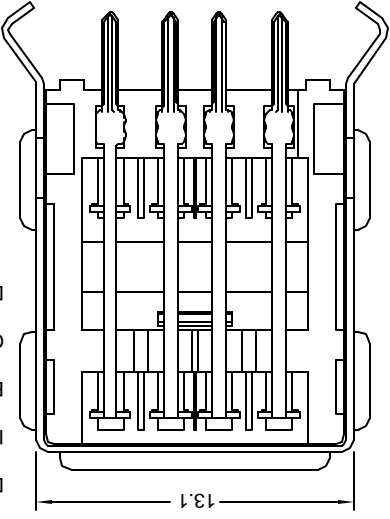
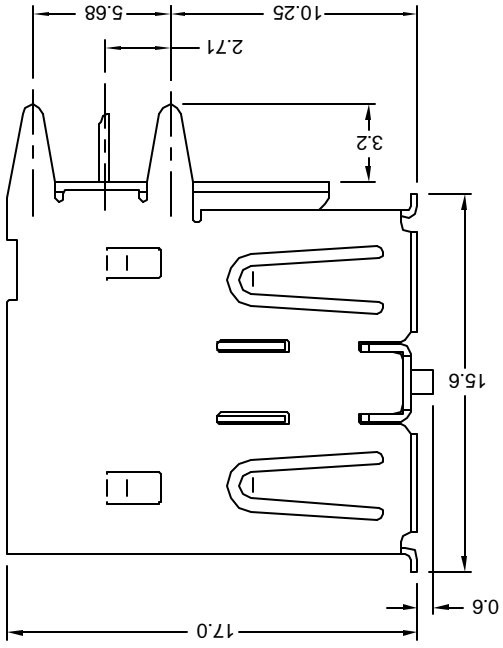
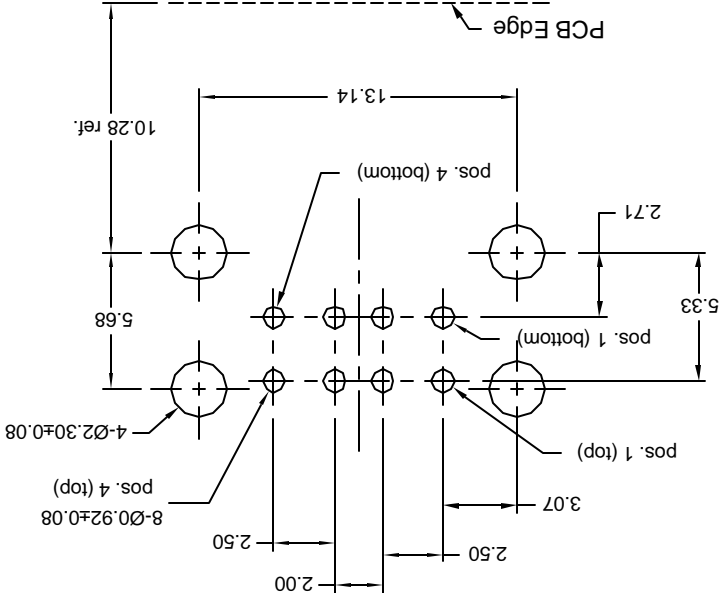
REVISION	DATE	DESCRIPTION	DRAWN BY	REV CHECK BY	UNITS
B1	3/30/01	Ref ECD 01-034	C. Leiva	C. Leiva	mm
C1	6/25/02	Ref ECD 02-059	REVISED BY	REV CHECK DATE	DATE
C2	6/24/04	ECD# 04-029	H. MA	6/25/04	9/2/97

KUSB-AS-2-N-XXX

Stacked USB A Type Jack
Through Hole, Right Angle



Recommended PCB Layout (top view)



Part Number	Contact Area Plating	Insulator Color
KUSB-AS-2-N-WHT	Gold Flash (standard)	White
KUSB-AS-2-N-WHT-30	30u" Gold (-30 option)	White
KUSB-AS-2-N-BLK	Gold Flash (standard)	Black
KUSB-AS-2-N-BLK-30	30u" Gold (-30 option)	Black

Specifications:

Rated Voltage: 30V AC (rms)
Contact Current Rating: 1A max.
Contact Resistance: 30 milliohms max.
Insulation Resistance: 1000 megohms min.
Dielectric Withstanding: 500V AC
Insertion Force: 3.57kg max.
Extraction Force: 1.02kg min.
Operating Temperature: -25°C to +80°C
Durability: 1500 mating cycles min.

Materials and Finish

Shell: brass, 0.3mm thick,
120u" tin-lead plated over
50u" copper underplate
Insulator: PBT thermoplastic,
UL94V-0 rated, black or white color
Contact Material: phosphor bronze
Contact Plating Options:
Standard: gold flash on contact area,
120u" tin-lead on solderails, all over
50u" nickel underplate
-30 Option: 30u" gold on contact area,
120u" tin-lead on solderails, all over
50u" nickel underplate

Tolerances
X.X ± 0.35
X.XX ± 0.25
Unless Stated
Otherwise
C LR78160
US

X-ON Electronics

Largest Supplier of Electrical and Electronic Components

Click to view similar products for [USB Connectors](#) category:

Click to view products by [Kycon](#) manufacturer:

Other Similar products are found below :

[10033527-N3112MLF](#) [17-210561](#) [GMCB05B11124H1EU](#) [17-200931](#) [65-647-8-BK-BU](#) [690-010-295-484](#) [73725-1191BLF](#) [950](#) [E8144-B01021-L](#) [A-USB A-LP-SMT-C](#) [A-USB B-TOP-C](#) [MUSBA511N5](#) [MUSBB15131](#) [MUSBC111M5](#) [MUSBD11135](#) [217450-1](#) [CA 6 W LD](#) [896-30-004-00-000000](#) [KUSBVX-BS1N-W30](#) [KUSBX-AP-KIT-SCBLK](#) [KUSBX-AS2N-W](#) [KUSBX-SMT2AP1S-W](#) [KUSBX-SMTAS1NBTR](#) [KUSBX-SMTBS1NBTR](#) [30-498-6](#) [SK-60A-2](#) [17-200261](#) [17-210051](#) [1734082-1](#) [FK-37-32SL](#) [30-1574](#) [30-470](#) [30-489](#) [30-541](#) [30-572-3](#) [30-9503](#) [M9177/2-1](#) [MAB 5 S](#) [MIKROE-1451](#) [33UBBR-04SW11R](#) [USBFTV2PEM2G](#) [USBFTVC6ZN](#) [USBFTVSCCG](#) [KUSBX-AS2N-W30](#) [KUSBX-SLAS1N-W](#) [KUSBX-SLAS1N-W30](#) [1-1734084-2](#) [E8110-001-01](#) [MUSBC11135](#) [NK-27-32SL](#)