

## KUSBEX-SMT Series

### Surface Mount Right Angle Universal Serial Bus

### Features



- Surface Mount Contacts Available with Through Hole or Surface Mount Shield Tabs
- Meets USB 2.0 Specification
- A and B Types Available
- Supports Hot Plugging
- Contact Area with Gold Plating
- CSA/NRTL Certified File No. LR78160

### Performance Specifications

#### Materials and Finish

**Insulator:** High Temperature Thermoplastic, UL 94V-0 Rated, Black or White Color

**Contacts:** Phosphor Bronze

**Contact Plating:** Gold over Nickel on Contacts  
Tin over Nickel on Termination End

#### Electrical Characteristics

**Rated Voltage:** 30V AC

**Rated Current:** 1A

**Contact Resistance:** 20 milliohms Max.

**Insulation Resistance:** 1000 Megohms Min.

**Dielectric Withstanding Voltage:** 750V AC for 1 Minute

**Operating Temperature:** See Drawing

## UNIVERSAL SERIAL BUS

## KUSBEX-SMT Series

### Documentation & Ordering Information


Kycon Part #	
--------------	--

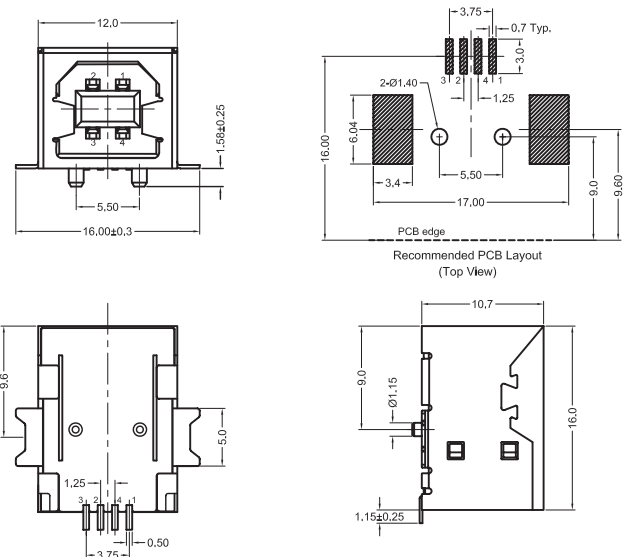
### Part Number Builder

Series	Shield Option	Type	Insulator Color	Plating Option	Packaging
Series KUSBEX - Right Angle Universal Serial Bus	Shield Option SMT - Surface Mount Contact, Through Hole Shield SMT2 - Surface Mount Contact, Surface Mount Shield	Type AS1N - A Type Receptacle BS1N - B Type Receptacle ASFS1N - A Type Fully Shielded Receptacle	Insulator Color Option B - Black W - White	Plating Option Blank - Gold Flash 30 - 30µ" Gold	Packaging TR - Tape and Reel

Contact Kycon for other options

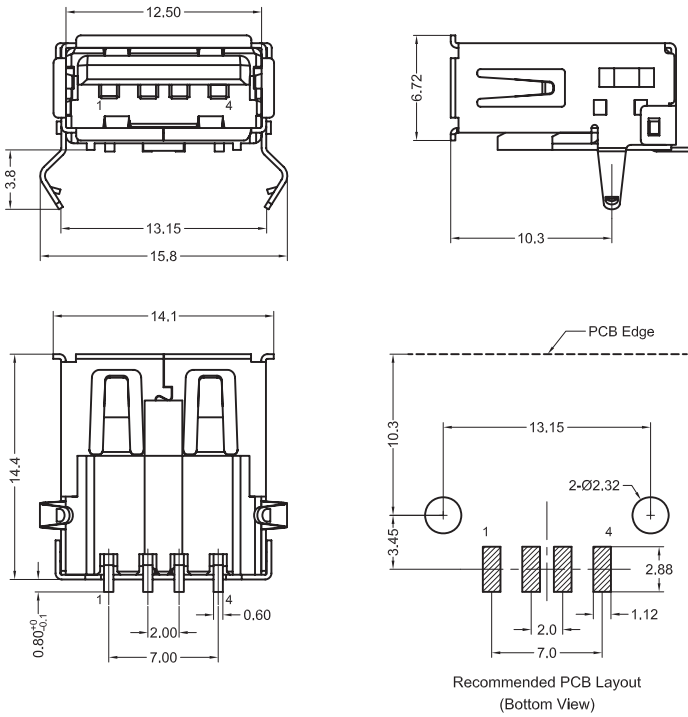
### KUSBEX-SMT-BS1N

Dimension in mm

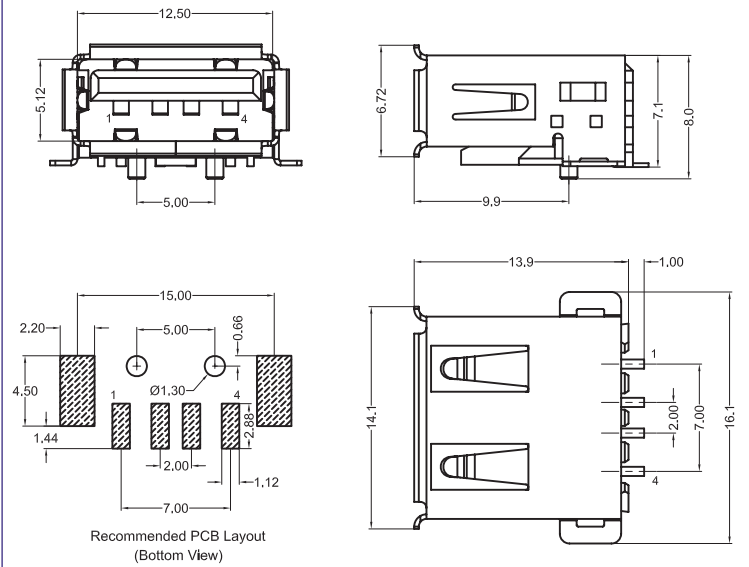


\*See next page for more dimensions

**KUSBEX-SMT-ASFS1N**  
Dimensions in mm



**KUSBEX-SMT2-AS1N**  
Dimensions in mm



## X-ON Electronics

Largest Supplier of Electrical and Electronic Components

*Click to view similar products for [USB Connectors](#) category:*

*Click to view products by [Kycon](#) manufacturer:*

Other Similar products are found below :

[65-647-8-BK-BU](#) [950](#) [952](#) [E8144-B01021-L](#) [A-USB A-LP-SMT-C](#) [A-USB B-TOP-C](#) [MUSBA511N5](#) [MUSBD11135](#) [217450-1](#) [CA 6 W LD](#)  
[KMBVX-TH-5S-B30](#) [896-30-004-00-000000](#) [KUSBVX-BS1N-W30](#) [KUSBX-AP-KIT-SCBLK](#) [KUSBX-AS2N-W](#) [KUSBX-SMT2AP1S-W](#)  
[KUSBX-SMT2AP1S-W30](#) [935](#) [957](#) [30-498-6](#) [17-210051](#) [1734082-1](#) [30-1574](#) [30-470](#) [30-489](#) [30-541](#) [30-572-3](#) [MAB 8 SN V](#) [A-USB A-](#)  
[2P-C](#) [MIKROE-1451](#) [USBFTV2PEM2G](#) [USBFTVC6ZN](#) [KUSBX-AS2N-W30](#) [KUSBX-SLAS1N-W](#) [KUSBX-SMT-AS1N-W30](#) [4689-1](#) [1-](#)  
[1734084-2](#) [E8110-001-01](#) [MUSBA81130](#) [33UBARS1-04SW11](#) [33UBAR-04SW11](#) [USBF21ZNSCC](#) [USBBFTV6ZC](#) [10135326-001LF](#)  
[M9177/3-1](#) [USB-A-S-F-B-VT](#) [925](#) [4198](#) [690-024-633-031](#) [KUSBEX-BSFS1N-W](#)