

## UNIVERSAL SERIAL BUS: KUSBVLPXHT Series

Vertical, A Type, High Retention Force  
High Temperature USB

### Product Features

- Low Profile Vertical
- High Retention Force
- Reflow Compatible
- A Type Available
- Supports Hot Plugging
- Contact Area with Gold Plating

### Performance Specifications

#### Materials and Finish

##### Insulator

High Temperature, Thermoplastic, UL94V-0 Rated,  
Orange Color

##### Shell

Stainless Steel, Nickel Plated

##### Contact Material

Phosphor Bronze

##### Contact Plating

30µ" Gold Plated on Contact Area,  
Tin Plated on Solder Tails, All over Nickel Underplate

### Electrical Characteristics

#### Rated Current

1.5A

#### Rated Voltage

30V AC/DC

#### Insulation Resistance

1000 Megohms Min.

#### Contact Resistance

30 milliohms Max.

#### Dielectric Withstanding Voltage

500V AC For 1 Minute

### Mechanical Characteristics

#### Durability

1500 Mating Cycles Min.

#### Operating Temperature

-40°C to +105°C

2D Drawing	IGES	STEP	3D PDF
Solder Profile	CofC RoHS Compliant	CofC REACH Compliant	UL Plastic File
Certificate of Origin	Check Stock	Request a Sample	Send Us An Email

#### Generated Part Number

#### Part Number Builder

<input type="text"/>	-	<input type="text"/>	<input type="text"/>	<input type="text"/>	<input type="text"/>
Series		Type	Insulator Color	Plating Option	Option

#### Series

KUSBVLPXHT - Vertical, A Type, High Retention Force  
High Temperature USB

#### Type

AS1N - A Type

#### Insulator Color Option

O - Orange

#### Plating Option

30 - 30µ" Gold Plating

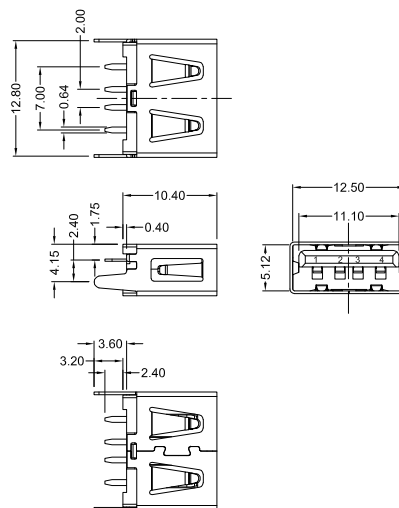
#### Option

HRF - High Retention Force

Contact Kycon for Other Options

## KUSBVLPXHT

Dimensions in mm



## X-ON Electronics

Largest Supplier of Electrical and Electronic Components

*Click to view similar products for [USB Connectors](#) category:*

*Click to view products by [Kycon](#) manufacturer:*

Other Similar products are found below :

[65-647-8-BK-BU](#) [950](#) [952](#) [E8144-B01021-L](#) [A-USB A-LP-SMT-C](#) [A-USB B-TOP-C](#) [MUSBA511N5](#) [MUSBD11135](#) [217450-1](#) [CA 6 W LD](#)  
[KMBVX-TH-5S-B30](#) [896-30-004-00-000000](#) [KUSBVX-BS1N-W30](#) [KUSBX-AP-KIT-SCBLK](#) [KUSBX-AS2N-W](#) [KUSBX-SMT2AP1S-W](#)  
[KUSBX-SMT2AP1S-W30](#) [935](#) [957](#) [30-498-6](#) [17-210051](#) [1734082-1](#) [30-1574](#) [30-470](#) [30-489](#) [30-541](#) [30-572-3](#) [MAB 8 SN V](#) [A-USB A-](#)  
[2P-C](#) [MIKROE-1451](#) [USBFTV2PEM2G](#) [USBFTVC6ZN](#) [KUSBX-AS2N-W30](#) [KUSBX-SLAS1N-W](#) [KUSBX-SMT-AS1N-W30](#) [4689-1](#) [1-](#)  
[1734084-2](#) [E8110-001-01](#) [MUSBA81130](#) [33UBARS1-04SW11](#) [33UBAR-04SW11](#) [USBF21ZNSCC](#) [USBBFTV6ZC](#) [10135326-001LF](#)  
[M9177/3-1](#) [USB-A-S-F-B-VT](#) [925](#) [4198](#) [690-024-633-031](#) [KUSBEX-BSFS1N-W](#)