

## UNIVERSAL SERIAL BUS: KUSBVX-SMT Series

USB Type C Socket, Vertical Mount, SMT Contacts

### Product Features

USB Version 3.1  
Gen 2 (10 Gbps)  
Vertical Mount  
SMT Contacts

### Performance Specifications

#### Materials and Finish

##### Housing

High Temperature Thermoplastic, UL94V-0 Rated

##### Shell:

Stainless Steel, Nickel Plated

##### Contact Material

Copper Alloy

##### Contact plating

30µ" Gold Plated on Contact Area.  
Matte Tin Plated on Solder Tails,  
All over Nickel Underplate

### Electrical Characteristics

#### Rated Current

5.0A Inclusive (1.25A Ea.) For Pins  
A4, A9, B4 and B9 (VBUS)  
1.25A Each For Pins, A5 and B5 (CC)  
6.25A Inclusive (1.56A Ea.) For Pins  
A1, A12, B1 and B12 (GND)  
0.25A For All Other Pins (RX, TX)

#### Rated Voltage: 30V

#### Insulation Resistance

100 Megohms Min. at 250V DC

#### Contact Resistance

40 milliohms Max.

#### Dielectric Withstanding Voltage

100V AC RMS For 1 Minute

### Mechanical Characteristics

**Insertion Force:** 5N - 20N

**Withdrawal Force:** 6N - 20N

**Durability:** 10000 Mating Cycles Min.

**Operating Temperature:**

-55°C to +85°C

2D Drawing	IGES	STEP	3D PDF
Solder Profile	CofC RoHS Compliant	CofC REACH Compliant	UL Plastic File
Certificate of Origin	Check Stock	Request a Sample	Send Us An Email

#### Generated Part Number

#### Part Number Builder

<input type="text"/>	-	<input type="text"/>	<input type="text"/>	<input type="text"/>	<input type="text"/>
Series		Type	Insulator Color	Plating	Packaging

#### Series

KUSBVX-SMT - USB Type C Socket, Vertical Mount, SMT contacts

#### Type

CS - C Type

#### Insulator Color Option

B - Black  
W - White

#### Plating Option

30 - 30µ" Gold Plating

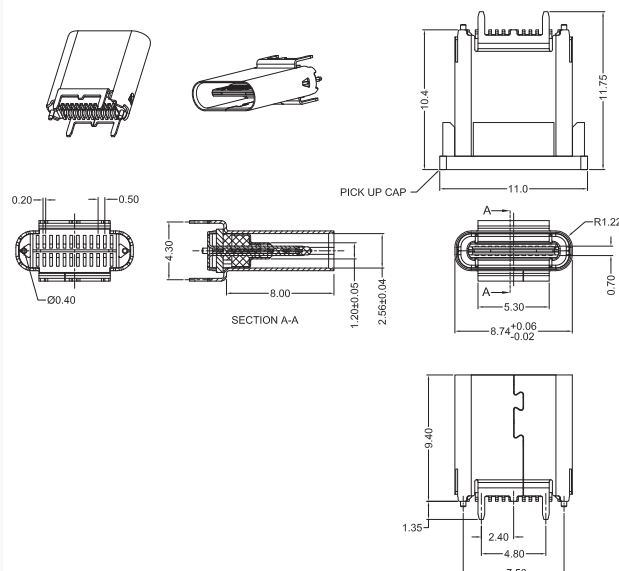
#### Packaging

TRC - Tape and Reel with Cap

Contact Kycon for more options

### KUSBVX-SMT

Dimensions in mm



## X-ON Electronics

Largest Supplier of Electrical and Electronic Components

*Click to view similar products for [USB Connectors](#) category:*

*Click to view products by [Kycon](#) manufacturer:*

Other Similar products are found below :

[65-647-8-BK-BU](#) [950](#) [E8144-B01021-L](#) [A-USB A-LP-SMT-C](#) [A-USB B-TOP-C](#) [MUSBA511N5](#) [MUSBD11135](#) [217450-1](#) [CA 6 W LD](#)  
[KMBVX-TH-5S-B30](#) [896-30-004-00-000000](#) [KUSBVX-BS1N-W30](#) [KUSBX-AP-KIT-SCBLK](#) [KUSBX-AS2N-W](#) [KUSBX-SMT2AP1S-W](#)  
[KUSBX-SMT2AP1S-W30](#) [935](#) [957](#) [30-498-6](#) [17-210051](#) [1734082-1](#) [30-1574](#) [30-470](#) [30-489](#) [30-541](#) [30-572-3](#) [MAB 8 SN V](#) [A-USB A-](#)  
[2P-C](#) [MIKROE-1451](#) [USBFTV2PEM2G](#) [USBFTVC6ZN](#) [KUSBX-AS2N-W30](#) [KUSBX-SLAS1N-W](#) [KUSBX-SMT-AS1N-W30](#) [4689-1](#) [1-](#)  
[1734084-2](#) [E8110-001-01](#) [MUSBA81130](#) [33UBARS1-04SW11](#) [33UBAR-04SW11](#) [USBF21ZNSCC](#) [USBBFTV6ZC](#) [10135326-001LF](#)  
[M9177/3-1](#) [USB-A-S-F-B-VT](#) [925](#) [4198](#) [690-024-633-031](#) [KUSBEX-BSFS1N-W](#) [USBFTVC6MRG](#)