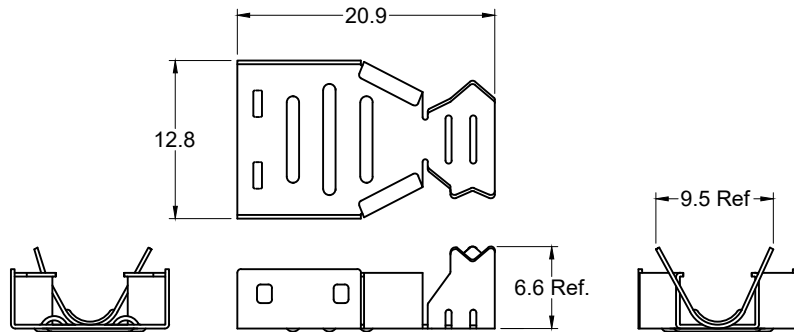
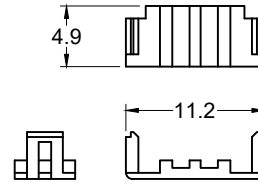


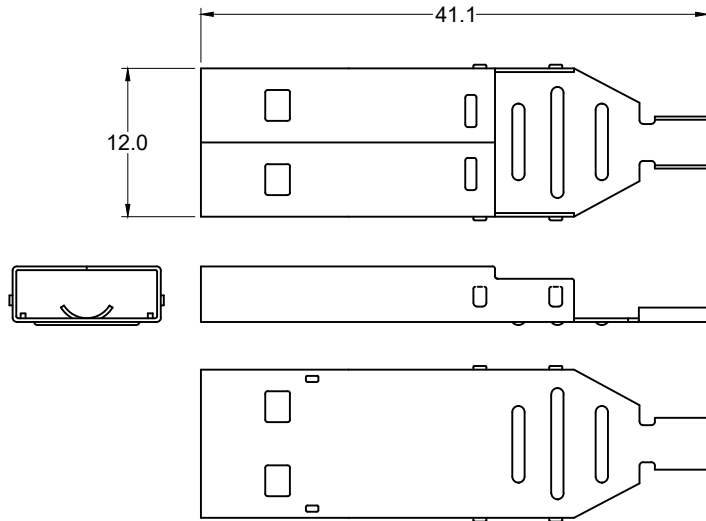
Rear Shell



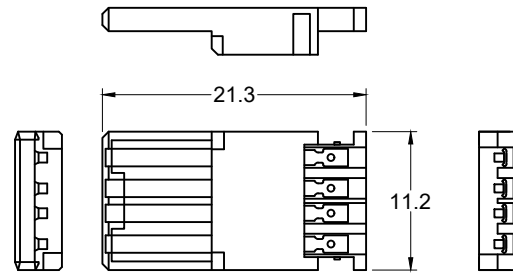
Strain Relief



Front Shell



Insulator Body



Materials and Finish

Shell:
Steel or Phosphor Bronze
0.3mm thickness

Insulator:
PBT Thermoplastic
UL 94V-0 Rated
White Color

Contact Plating-
Standard: Glod flash plated
30 option: 30u" gold plated.

Recommended Cable Size:
Ø3.4 to Ø5.3 outer diameter

Electrical Characteristics

Contact Resistance:
30 milliohm max. initial

Insulation Resistance:
1000 Megohm min.

Dielectric Withstanding Voltage:
500V AC (rms) min.

Voltage Rating: 30V AC (rms)

Current Rating: 1.5A max.
per contact at 30°C T-Rise

Operating Temperature:
-55°C to +85°C

Ordering Information

Part Number	Contact Area Plating
KUSBX-AP-KIT-SC	Gold Flash (standard)
KUSBX-AP-KIT-SC-30	30u" Gold (-30 option)

Tolerances

X.X ± 0.25
X.XX ± 0.15
Unless Stated
Otherwise

RoHS COMPLIANT

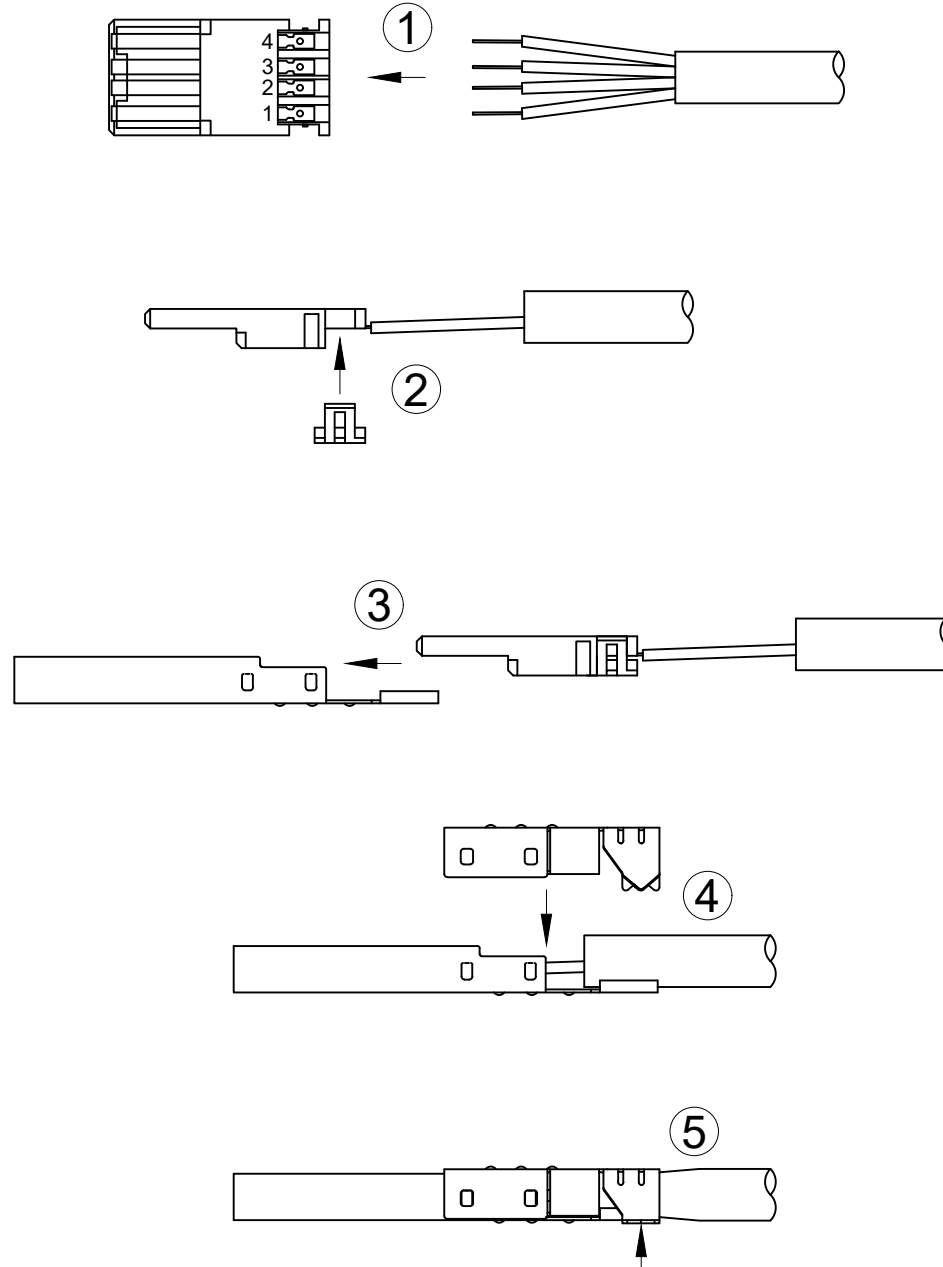
REV.	DATE	DESCRIPTION	REV. BY	CHK. BY	DRAWN BY	DATE
A1	6/27/05	New Drawing	N.Chang	C. Furumasu	N.Chang	6/27/05
A2	6/14/06	Add 30 option	H. MA	C. Furumasu		
A3	10/07/10	ECO #10-070	S. Vien	H. MA		
A4	08/29/18	Update Address & Page 2	G. Serrato	D. Shehan		

KUSBX-AP-KIT-SC

USB A-type Plug Assembly, RoHS Compliant

With Solder Cup ends, page 1 of 2





Assembly Instructions

- 1) Solder cable wires to Insulator Body.
- 2) Snap Strain Relief onto Insulator Body.
- 3) Place Strain Relief/Insulator Body assembly into Front Shell and push forward until firmly seated in place.
- 4) Snap Rear Shield onto Front Shield.
- 5) Crimp Rear Shield tail over Front Shield.

Tolerances

X.X ± 0.25
 X.XX ± 0.15
 Unless Stated
 Otherwise

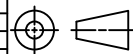
RoHS COMPLIANT

REV.	DATE	DESCRIPTION	REV. BY	CHK. BY	DRAWN BY	DATE
A1	6/27/05	New Drawing	N.Chang	C. Furumasu	N.Chang	6/27/05
A2	6/14/06	Add 30 option	H. MA	C. Furumasu		
A3	10/07/10	ECO #10-070	S. Vien	H. MA		
A4	08/29/18	Update Address & Page 2	G. Serrato	D. Shehan		

KUSBX-AP-KIT-SC

USB A-type Plug Assembly, RoHS Compliant

With Solder Cup ends, page 2 of 2



UNITS
mm

X-ON Electronics

Largest Supplier of Electrical and Electronic Components

Click to view similar products for [USB Connectors](#) category:

Click to view products by [Kycon](#) manufacturer:

Other Similar products are found below :

[65-647-8-BK-BU](#) [950](#) [E8144-B01021-L](#) [A-USB A-LP-SMT-C](#) [A-USB B-TOP-C](#) [MUSBA511N5](#) [MUSBD11135](#) [217450-1](#) [CA 6 W LD](#)
[KMBVX-TH-5S-B30](#) [896-30-004-00-000000](#) [KUSBVX-BS1N-W30](#) [KUSBX-AP-KIT-SCBLK](#) [KUSBX-AS2N-W](#) [KUSBX-SMT2AP1S-W](#)
[KUSBX-SMT2AP1S-W30](#) [935](#) [957](#) [30-498-6](#) [17-210051](#) [1734082-1](#) [30-1574](#) [30-470](#) [30-489](#) [30-541](#) [30-572-3](#) [MAB 8 SN V](#) [A-USB A-](#)
[2P-C](#) [MIKROE-1451](#) [USBFTV2PEM2G](#) [USBFTVC6ZN](#) [KUSBX-AS2N-W30](#) [KUSBX-SLAS1N-W](#) [KUSBX-SMT-AS1N-W30](#) [4689-1](#) [1-](#)
[1734084-2](#) [E8110-001-01](#) [MUSBA81130](#) [33UBARS1-04SW11](#) [33UBAR-04SW11](#) [USBF21ZNSCC](#) [USBBFTV6ZC](#) [10135326-001LF](#)
[M9177/3-1](#) [USB-A-S-F-B-VT](#) [925](#) [4198](#) [690-024-633-031](#) [KUSBEX-BSFS1N-W](#) [USBFTVC6MRG](#)