

UNIVERSAL SERIAL BUS: KUSBX-SL2 Series Flag Style Type C[®] Receptacle, USB 3.2 Gen 2

Product Features

Upright, Flag Style, 24 Pins
High Temperature, Reflow Compatible
Compatible with Many Computer Peripherals
Supports Hot Plugging
Meets USB 3.2 Gen 2 and USB PD Specifications
Contact Area with Gold Plating

Performance Specifications

Materials and Finish

Insulator

High Temperature, UL94 V-0 Rated, Black Color

Contact Material

Copper Alloy

Plating

Gold flash plated

Shield

Stainless Steel, Nickel plated

Electrical Characteristics

Current Rating

5A Max.

Contact Resistance

40 Milliohms Max.

Insulation Resistance

100 Megohms Min.

Dielectric withstanding Voltage

100V AC RMS for 1 Minute

Mechanical Characteristics

Insertion Force

5N - 20N

Extraction Force

8N - 20N

Durability

10000 Cycles

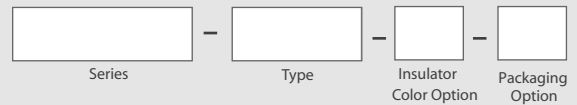
Operating Temperature

-40°C to 85°C

2D Drawing	IGES	STEP	3D PDF
Solder Profile	CofC RoHS Compliant	CofC REACH Compliant	UL Plastic File
Certificate of Origin	Check Stock	Request a Sample	Send Us An Email

Generated Part Number

Part Number Builder



Series

KUSBX-SL2 - Flag Style Universal Serial Bus

Type

CS1N24 - C Type, 24 Pin

Insulator Color Option

B - Black

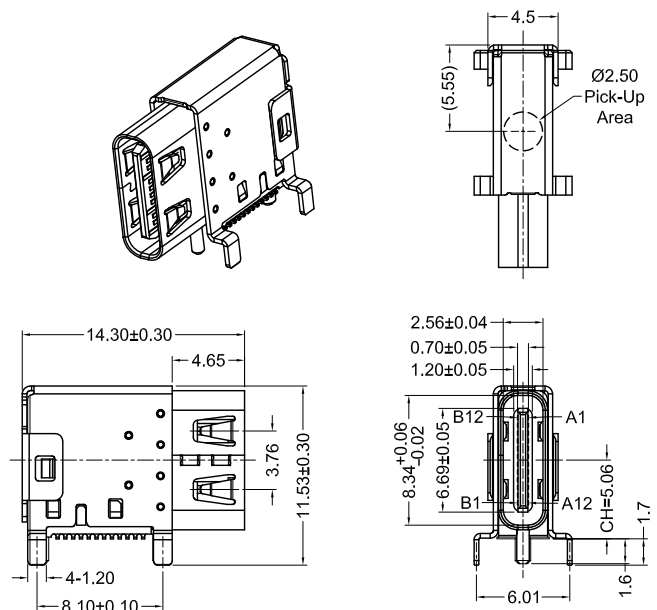
Packaging Option

TR - Tape and Reel

Contact Kycon for other options

KUSBX-SL2

Dimensions in mm



X-ON Electronics

Largest Supplier of Electrical and Electronic Components

Click to view similar products for [USB Connectors](#) category:

Click to view products by [Kycon](#) manufacturer:

Other Similar products are found below :

[65-647-8-BK-BU](#) [950](#) [E8144-B01021-L](#) [A-USB A-LP-SMT-C](#) [A-USB B-TOP-C](#) [MUSBA511N5](#) [MUSBD11135](#) [217450-1](#) [CA 6 W LD](#)
[KMBVX-TH-5S-B30](#) [896-30-004-00-000000](#) [KUSBVX-BS1N-W30](#) [KUSBX-AP-KIT-SCBLK](#) [KUSBX-AS2N-W](#) [KUSBX-SMT2AP1S-W](#)
[KUSBX-SMT2AP1S-W30](#) [935](#) [957](#) [30-498-6](#) [17-210051](#) [1734082-1](#) [30-1574](#) [30-470](#) [30-489](#) [30-541](#) [30-572-3](#) [MAB 8 SN V](#) [A-USB A-](#)
[2P-C](#) [MIKROE-1451](#) [USBFTV2PEM2G](#) [USBFTVC6ZN](#) [KUSBX-AS2N-W30](#) [KUSBX-SLAS1N-W](#) [KUSBX-SMT-AS1N-W30](#) [4689-1](#) [1-](#)
[1734084-2](#) [E8110-001-01](#) [MUSBA81130](#) [33UBARS1-04SW11](#) [33UBAR-04SW11](#) [USBF21ZNSCC](#) [USBBFTV6ZC](#) [10135326-001LF](#)
[M9177/3-1](#) [USB-A-S-F-B-VT](#) [925](#) [4198](#) [690-024-633-031](#) [KUSBEX-BSFS1N-W](#) [USBFTVC6MRG](#)