

UNIVERSAL SERIAL BUS: KUSBX-SL Series

Flag Style Type A Receptacle, USB 2.0

Product Features

- Upright Flag Style Reduces PCB Footprint
- Compatible with Many Computer Peripherals
- Supports Hot Plugging
- Meets USB 2.0 Specifications
- Contact Area with Gold Plating
- CSA/NRTL Certified File No. LR78160
- UL File No. E134345

Performance Specifications

Materials and Finish

Insulator

PBT Thermoplastic, UL94 V-0 Rated, White or Black Color

Contact Material

Phosphor Bronze

Contact Plating Option

Gold over Nickel on Contacts

Tin over Nickel on Termination End

Shell

Copper Alloy

Electrical Characteristics

Rated Voltage

30V AC

Rated Current

1.5A

Contact Resistance

30 milliohms Max

Insulation Resistance

1000 Megohms Min.

Dielectric Withstanding Voltage

500V AC

Operating Temperature

See Drawing

2D Drawing	IGES	STEP	3D PDF
Solder Profile	CofC RoHS Compliant	CofC REACH Compliant	UL Plastic File
Certificate of Origin	Check Stock	Request a Sample	Send Us An Email

Generated Part Number

Part Number Builder

<input type="text"/>	-	<input type="text"/>	<input type="text"/>	<input type="text"/>
Series		Type	Insulator Color Option	Plating Option

Series

KUSBX-SL - Flag Style Universal Serial Bus

Type

AS1N - A Type

Insulator Color Option

B - Black

W - White

Plating Option

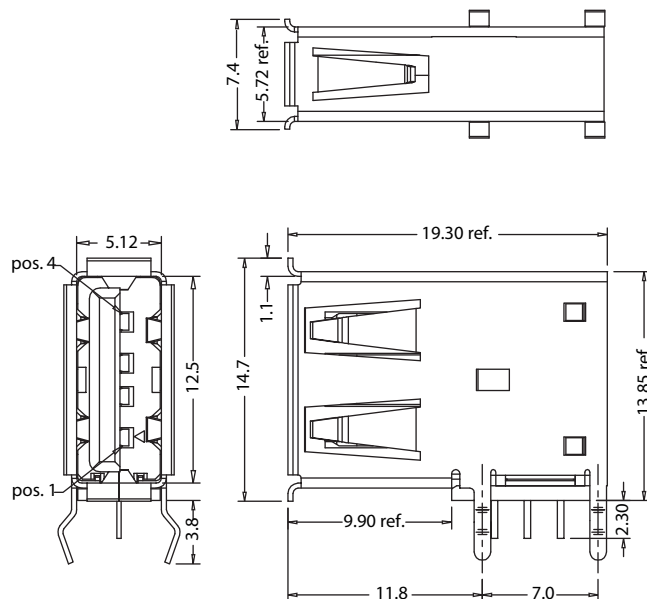
Blank - Gold Flash

30 - 30µ" Gold

Contact Kycon for other options

KUSBX-SL

Dimensions in mm



X-ON Electronics

Largest Supplier of Electrical and Electronic Components

Click to view similar products for [USB Connectors](#) category:

Click to view products by [Kycon](#) manufacturer:

Other Similar products are found below :

[65-647-8-BK-BU](#) [950](#) [952](#) [E8144-B01021-L](#) [A-USB A-LP-SMT-C](#) [MUSBA511N5](#) [MUSBD11135](#) [217450-1](#) [CA 6 W LD](#) [KMBVX-TH-5S-B30](#) [896-30-004-00-000000](#) [KUSBVX-BS1N-W30](#) [KUSBX-AP-KIT-SCBLK](#) [KUSBX-AS2N-W](#) [KUSBX-SMT2AP1S-W](#) [KUSBX-SMT2AP1S-W30](#) [935](#) [957](#) [30-498-6](#) [17-210051](#) [1734082-1](#) [30-1574](#) [30-470](#) [30-489](#) [30-541](#) [30-572-3](#) [MAB 8 SN V](#) [A-USB A-2P-C](#) [MIKROE-1451](#) [USBFTV2PEM2G](#) [USBFTVC6ZN](#) [KUSBX-AS2N-W30](#) [KUSBX-SLAS1N-W](#) [KUSBX-SMT-AS1N-W30](#) [4689-1](#) [1-1734084-2](#) [E8110-001-01](#) [MUSBA81130](#) [33UBARS1-04SW11](#) [33UBAR-04SW11](#) [USBF21ZNSCC](#) [USBBFTV6ZC](#) [MUSBB151341](#) [10135326-001LF](#) [M9177/3-1](#) [USB-A-S-F-B-VT](#) [925](#) [4198](#) [690-024-633-031](#) [KUSBEX-BSFS1N-W](#)