



UNIVERSAL SERIAL BUS: KUSBX-SL Series

Upright USB, C Type Jack, 14Pin

Product Features

Upright, Slim Profile
 Compatible with Many Computer Peripherals
 Supports Hot Plugging
 Meets USB 2.0 and PD Specifications
 Contact Area with Gold Plating

Performance Specifications

Materials and Finish

Insulator

High Temperature, UL94 V-0 Rated, Black Color

Contact Material

Copper Alloy

Plating

Gold flash plated on both contact area and soldertails with nickel under plated

Shield

Stainless Steel, Nickel plated

Electrical Characteristics

Current Rating

3A Max.

Contact Resistance

40 Milliohms Max.

Insulation Resistance

100 Megohms Min.

Dielectric withstanding Voltage

100V AC RMS for 1 Minute

Mechanical Characteristics

Insertion Force

5N - 20N

Extraction Force

8N - 20N

Durability

10000 Cycles

Operating Temperature

-30°C to 85°C

| | | | |
|-----------------------|---------------------|----------------------|------------------|
| 2D Drawing | IGES | STEP | 3D PDF |
| Solder Profile | CofC RoHS Compliant | CofC REACH Compliant | UL Plastic File |
| Certificate of Origin | Check Stock | Request a Sample | Send Us An Email |

Generated Part Number

Part Number Builder

| | | | | |
|----------------------|---|----------------------|------------------------|----------------------|
| <input type="text"/> | - | <input type="text"/> | <input type="text"/> | <input type="text"/> |
| Series | | Type | Insulator Color Option | Plating Option |

Series

KUSBX-SL - Upright, Universal Serial Bus

Type

CS1N14 - C Type, 14 Pin

Insulator Color Option

B - Black

Plating Option

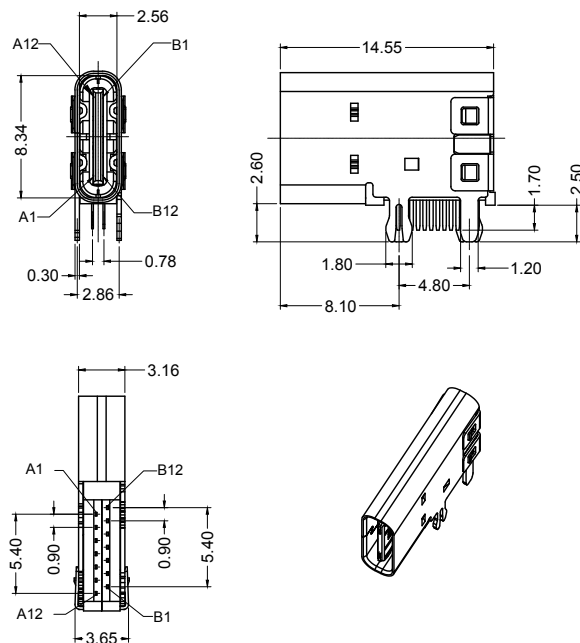
Blank - Gold Flash

30 - 30 μ"Gold

Contact Kycon for other options

KUSBX-SL

Dimensions in mm



X-ON Electronics

Largest Supplier of Electrical and Electronic Components

Click to view similar products for [USB Connectors](#) category:

Click to view products by [Kycon](#) manufacturer:

Other Similar products are found below :

[65-647-8-BK-BU](#) [950](#) [952](#) [E8144-B01021-L](#) [A-USB A-LP-SMT-C](#) [A-USB B-TOP-C](#) [MUSBA511N5](#) [MUSBD11135](#) [217450-1](#) [CA 6 W LD](#)
[KMBVX-TH-5S-B30](#) [896-30-004-00-000000](#) [KUSBVX-BS1N-W30](#) [KUSBX-AP-KIT-SCBLK](#) [KUSBX-AS2N-W](#) [KUSBX-SMT2AP1S-W](#)
[KUSBX-SMT2AP1S-W30](#) [935](#) [957](#) [30-498-6](#) [17-210051](#) [1734082-1](#) [30-1574](#) [30-470](#) [30-489](#) [30-541](#) [30-572-3](#) [MAB 8 SN V](#) [A-USB A-](#)
[2P-C](#) [MIKROE-1451](#) [USBFTV2PEM2G](#) [USBFTVC6ZN](#) [KUSBX-AS2N-W30](#) [KUSBX-SLAS1N-W](#) [KUSBX-SMT-AS1N-W30](#) [4689-1](#) [1-](#)
[1734084-2](#) [E8110-001-01](#) [MUSBA81130](#) [33UBARS1-04SW11](#) [33UBAR-04SW11](#) [USBF21ZNSCC](#) [USBBFTV6ZC](#) [10135326-001LF](#)
[M9177/3-1](#) [USB-A-S-F-B-VT](#) [925](#) [4198](#) [690-024-633-031](#) [KUSBEX-BSFS1N-W](#)