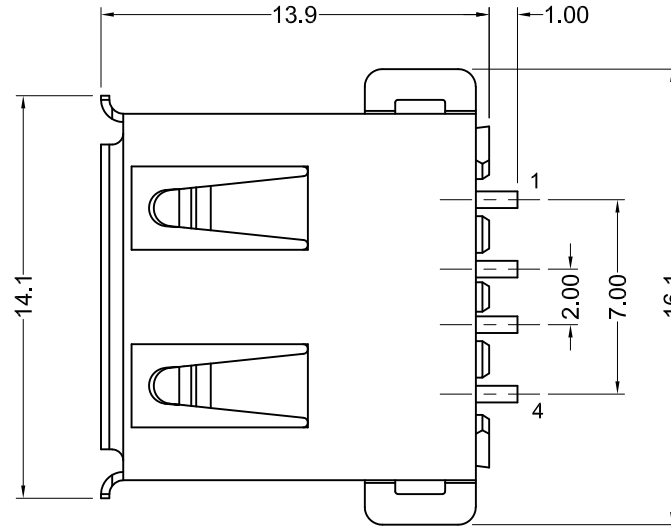


Recommended PCB Layout  
(Bottom View)



**Material and Finish**

Insulator: High Temp.  
UL94V-0-Rated  
Contact: Phosphor Bronze  
Contact Plating Options:  
Standard: Gold flash on contact area, tin on soldertails, all over nickel underplate  
30 Option: 30u" Gold on contact area, tin on soldertails, all over nickel underplate  
Shell: Brass, Nickel Plated

**Electrical Specifications**

Contact Current Rating:  
1.0A AC/DC  
Voltage Rating:  
30V AC/DC  
Contact Resistance:  
20 milliohms max.  
Insulation Resistance:  
1000 Megohms min.  
Dielectric Withstanding Voltage:  
750V AC for 1 Min.  
Operating Temperature:  
-40°C to +105°C

Part Number	Contact Area Plating Finish	Insulator Color	Packaging
KUSBEX-SMT2-AS1N-WTR	Gold Flash (standard)	White	Tape & Reel (TR option)
KUSBEX-SMT2-AS1N-W30TR	30u" Gold (-30 option)		
KUSBEX-SMT2-AS1N-BTR	Gold Flash (standard)	Black	Tape & Reel (TR option)
KUSBEX-SMT2-AS1N-B30TR	30u" Gold (-30 option)		

Tolerances
X.X ± 0.25
X.XX ± 0.15
Unless Stated Otherwise



REV.	DATE	DESCRIPTION	REV. BY	CHK. BY	DRAWN BY	DATE
B2	11/05/09	Add Part Number	S. Vien	H. MA	R. Aguirre	02/05/08
B3	1/05/10	Release Drawing	H. MA	N/A		
C1	03/12/10	ECO #10-013	S. Vien	H. MA	UNITS	mm
C2	08/04/11	ECO #11-052	S. Vien	P. DalCanto		
C3	05/08/13	ECO #13-020	W. Cook	P. DalCanto		
C4	08/09/18	Update Address & RoHS	C. Kelleher	C. Furumasu		

KUSBEX-SMT2-AS1N-x

USB A-Type, SMT, RoHS Compliant

Locating Post with SMT Shield Type



## X-ON Electronics

Largest Supplier of Electrical and Electronic Components

*Click to view similar products for [USB Connectors](#) category:*

*Click to view products by [Kycon](#) manufacturer:*

Other Similar products are found below :

[65-647-8-BK-BU](#) [950](#) [E8144-B01021-L](#) [A-USB A-LP-SMT-C](#) [A-USB B-TOP-C](#) [MUSBA511N5](#) [MUSBD11135](#) [217450-1](#) [CA 6 W LD](#)  
[KMBVX-TH-5S-B30](#) [896-30-004-00-000000](#) [KUSBVX-BS1N-W30](#) [KUSBX-AP-KIT-SCBLK](#) [KUSBX-AS2N-W](#) [KUSBX-SMT2AP1S-W](#)  
[KUSBX-SMT2AP1S-W30](#) [935](#) [957](#) [30-498-6](#) [17-210051](#) [1734082-1](#) [30-1574](#) [30-470](#) [30-489](#) [30-541](#) [30-572-3](#) [MAB 8 SN V](#) [A-USB A-](#)  
[2P-C](#) [MIKROE-1451](#) [USBFTV2PEM2G](#) [USBFTVC6ZN](#) [KUSBX-AS2N-W30](#) [KUSBX-SLAS1N-W](#) [KUSBX-SMT-AS1N-W30](#) [4689-1](#) [1-](#)  
[1734084-2](#) [E8110-001-01](#) [MUSBA81130](#) [33UBARS1-04SW11](#) [33UBAR-04SW11](#) [USBF21ZNSCC](#) [USBBFTV6ZC](#) [10135326-001LF](#)  
[M9177/3-1](#) [USB-A-S-F-B-VT](#) [925](#) [4198](#) [690-024-633-031](#) [KUSBEX-BSFS1N-W](#) [USBFTVC6MRG](#)