



2D Drawing	IGES	STEP	3D PDF
Solder Profile	CofC RoHS Compliant	CofC REACH Compliant	UL Plastic File
Certificate of Origin	Check Stock	Request a Sample	Send Us An Email

Generated Part Number

Part Number Builder

-     
 Series                      Type                      Option                      Packaging

**Series**

KUSBX-SMTTH - USB TYPE C, SMT & TH PINS

**Type**

CSE - C Type

**Option**

F2 - Flange

**Packaging**

BTR - Black, Tape and Reel

Contact Kycon for more options

**UNIVERSAL SERIAL BUS: KUSBX-SMTTH Series**  
 USB TYPE C, SMT AND TH PINS, WITH FLANGE

**Product Features**

- USB 3.2 Gen 2
- Fully shielded for EMI suppression
- Panel flange to provide robust securing method
- Vertical offset to help align centerline with other connector types
- SMT and through hole lead to help ease inspection during Manufacturing

**Performance Specifications**

**Materials and Finish**

**Insulator**

High Temperature Thermoplastic, UL94V-0 Rated  
 Black Color

**Shell**

Stainless Steel, Nickel Plated

**Contact Material**

Copper Alloy

**Contact plating**

Gold Flash on Contact Area.  
 Matte Tin Plated on Solder Tails,  
 All Over Nickel Underplate

**Electrical Characteristics**

**Rated Current:**

5A Collectively For  
 Pwr & Gnd Pins (A1, A4, A9, A12, B1, B12)  
 1.25A For Vconn (B5),  
 0.25A For All Others

**Rated Voltage:** 30V AC/DC

**Insulation Resistance:**

100 Megohms Min. at 100V DC

**Contact Resistance:**

40 milliohms Max.

**Dielectric Withstanding Voltage**

100V AC (RMS) For 1 Minute

**Mechanical Characteristics**

**Durability:** 10,000 Mating Cycles Min.

**Insertion Force:** 5N~20N

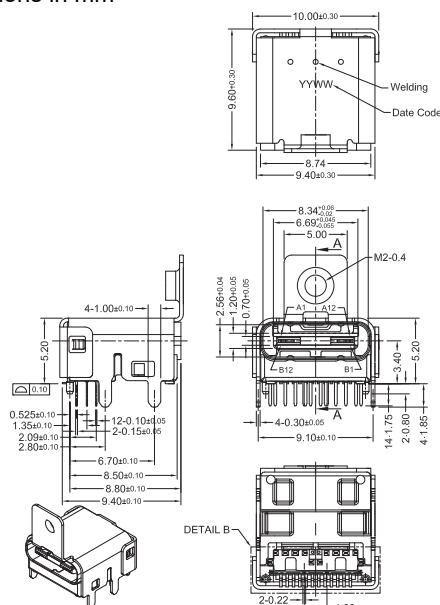
**Extraction Force:** 8N~20N

**Operating Temperature:**

-30°C to +85°C

**KUSBX-SMTTH**

Dimensions in mm



## X-ON Electronics

Largest Supplier of Electrical and Electronic Components

*Click to view similar products for [USB Connectors](#) category:*

*Click to view products by [Kycon](#) manufacturer:*

Other Similar products are found below :

[65-647-8-BK-BU](#) [950](#) [952](#) [E8144-B01021-L](#) [A-USB A-LP-SMT-C](#) [A-USB B-TOP-C](#) [MUSBA511N5](#) [MUSBD11135](#) [217450-1](#) [CA 6 W LD](#)  
[KMBVX-TH-5S-B30](#) [896-30-004-00-000000](#) [KUSBVX-BS1N-W30](#) [KUSBX-AP-KIT-SCBLK](#) [KUSBX-AS2N-W](#) [KUSBX-SMT2AP1S-W](#)  
[KUSBX-SMT2AP1S-W30](#) [935](#) [957](#) [30-498-6](#) [17-210051](#) [1734082-1](#) [30-1574](#) [30-470](#) [30-489](#) [30-541](#) [30-572-3](#) [MAB 8 SN V](#) [A-USB A-](#)  
[2P-C](#) [MIKROE-1451](#) [USBFTV2PEM2G](#) [USBFTVC6ZN](#) [KUSBX-AS2N-W30](#) [KUSBX-SLAS1N-W](#) [KUSBX-SMT-AS1N-W30](#) [4689-1](#) [1-](#)  
[1734084-2](#) [E8110-001-01](#) [MUSBA81130](#) [33UBARS1-04SW11](#) [33UBAR-04SW11](#) [USBF21ZNSCC](#) [USBBFTV6ZC](#) [10135326-001LF](#)  
[M9177/3-1](#) [USB-A-S-F-B-VT](#) [925](#) [4198](#) [690-024-633-031](#) [KUSBEX-BSFS1N-W](#)