



**Modular Plugs: MP Series**  
Modular Plugs

**Product Features**

Licensed From AT&T  
To Mate with W.E. Co. and FCC 68 Jacks  
Available For Flat or Round Cable with Stranded or Solid Wires  
Shielded Version Available  
CSA/NRTL Certified File No. LR78160

**Performance Specifications**

**Materials and Finish**

**Housing**  
Polycarbonate, UL94V-2 Rated

**Contact Material**

Copper Alloy

**Mechanical Characteristics**

**Operating Temperature**

-55°C to +85°C

**Electrical Characteristics**

**Rated Current**

1.5A

**Insulation Resistance**

500 Megohms Min

**Dielectric Withstanding Voltage**

1000V AC for 1 Minute

**Contact Resistance**

20 milliohms Max.

**Recommended Wire Gauge**

26-28 Awg.

2D Drawing	IGES	STEP	3D PDF
Solder Profile	CofC RoHS Compliant	CofC REACH Compliant	UL Plastic File
Certificate of Origin	Check Stock	Request a Sample	Send Us An Email

Generated Part Number

Part Number Builder

-   X    
 Series      Number of Positions      Cable Jacket      Plating Option      Wire Type

**Series**

MP - Unshielded Modular Telephone Plug

**Number of Positions/Contacts**

- 44 - 4 Positions/ 4 Contacts
- 64 - 6 Positions/ 4 Contacts
- 66 - 6 Positions/ 6 Contacts
- 1010 - 1010 Positions/ 1010 Contacts

**Cable Jacket**

- Blank - Flat Cable
- R - Round Cable

**Plating Option**

- 1000 - Gold Flash
- 5000 - 50u" Gold to Comply with ANTSI/TIA-1096-A

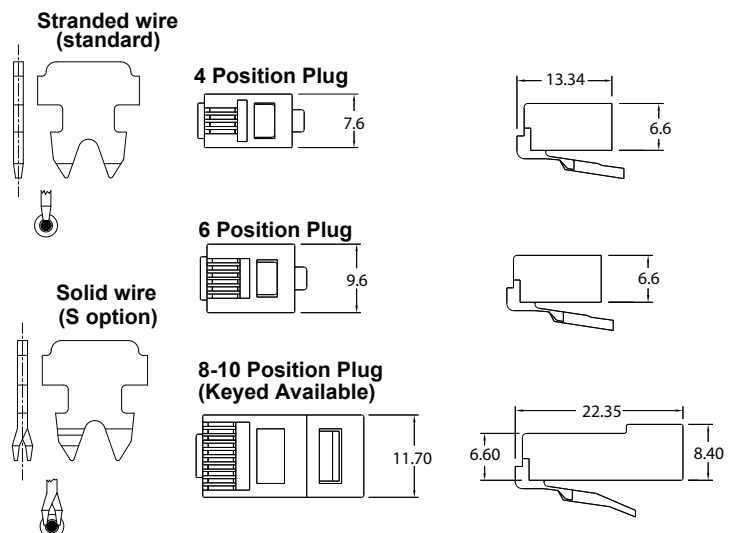
**Wire Type**

- Blank - Stranded wire
- S - Solid Wire

Contact Kycon for other options

**MP Series**

Dimensions in mm



## X-ON Electronics

Largest Supplier of Electrical and Electronic Components

*Click to view similar products for [Modular Connectors](#) / [Ethernet Connectors](#) category:*

*Click to view products by [Kycon](#) manufacturer:*

Other Similar products are found below :

[8949-H88/06BLKA/SN](#) [74441-0010/BKN](#) [MP1010RX-1000](#) [MP44RX-1000](#) [PHP-6P6C-5](#) [GAX-3-66](#) [GAX-8-62](#) [GDCX-PA-66-50](#) [GDCX-PN-64](#) [GDCX-PN-66](#) [GDCX-PN-66-50](#) [GDLX-A-66](#) [GDLX-N-66](#) [GDLX-S-66](#) [GDLX-S-88K](#) [GDTX-S-88-50](#) [GDX-PA-1010](#) [GLX-N-1010M-BLK](#) [GLX-S-88M-BLK](#) [GMX-N-1010](#) [GMX-S-1010](#) [GMX-S-66](#) [GMX-SMT4-N-88](#) [GPX-2-64](#) [GSGX-N-2-88](#) [GSGX-N-4-88](#) [GSX-NS2-88-3.05](#) [GSX-NS2-88-3.05-50](#) [GSX-NS-88-3.05-50](#) [GSX-NS-88-3.68](#) [PT-108A-8C-UL](#) [PT-J951-8C](#) [PTS-J531-8CS-50UL](#) [1-1775629-2](#) [A-2014-0-4](#) [GWLX-S-88-GR](#) [GWLX-S9-88-YG](#) [DC-1021-8-WH-6](#) [1300530003](#) [1324640-4](#) [RJ11FTVC2G](#) [RJ11FTVC2N](#) [RJFTVX2SA1G](#) [132764-001](#) [1413235](#) [MP88X-1000](#) [MPS88RX-5000](#) [MRJR-5481-0F2](#) [E5288-S000K3-L](#) [E5908-15A242-L](#)